

ICE INTERNATIONAL CARBIDE™ & ENGINEERING, INC.

ICE INTERNATIONAL CARBIDE™ & ENGINEERING, INC.

R. S. Ponton
President

Office: 5000 Main Street
Plant: 150 W.P. Stevens Rd
P.O. Box 216 • Drakes Branch,
Virginia 23937-0216 USA

Phone: 434-568-3311 (office)
800-424-3311
434-568-9211 (plant)
FAX: 434-568-3421

Web: www.ice-va.com E-mail: info@ice-va.com

USA CORPORATE OFFICE
MANUFACTURING, SALES
and ENGINEERING

EUROPE*
MANUFACTURING & SALES

MAILING
ADDRESS

5000 Main Street
P.O. Box 216
Drakes Branch, VA
23937-0216 USA

ICE-Cekamon Saws by
Pr. Hendriklan 28
3851 SC Ermelo,
The Netherlands (Holland)

TELEPHONE

434-568-3311/3321/5021
800-424-3311 (Toll-Free in the USA,
Canada, P.R. & the U.S. Virgin Islands)

31-341-55 00 38

FAX
E-mail
Web

434-568-3421
info@ice-va.com

31-341-55 01 25
info@cekamonsaws.nl

www.ice-va.com

* Belgium, France, Germany, Greece, Italy, The Netherlands, United Kingdom (Countries not listed contact USA Office)

Member of the following professional associations:



PRODUCT LINE CARD

USA CORPORATE OFFICE:
5000 MAIN STREET • P.O. BOX 216
DRAKES BRANCH, VA 23937-0216 USA

Plant: 150 W.P. Stevens Rd.

Phone 434-568-3311 (office)
800-424-3311
434-568-9211 (plant)
FAX 434-568-3421

Contact: R. S. Ponton (President)
or Joyce Mosher (Marketing Manager)

E-mail: info@ice-va.com
Web: www.ice-va.com

ICE offers the most complete line of stock/customized cutting tools and machinery to serve the natural, stone, wood, metal, plastic and glass industries. *ICE* is ready to provide your specialized requirements from our sales and engineering departments and has an in-depth stock of products as shown in our catalog and the capability to custom design and manufacture to your requirements.

ICE is an industry leader in cemented tungsten carbide and high-technology engineering. Contact our office for a quick and courteous response to your requirements.

WE MANUFACTURING AND STOCK:

Carbide Tips & Blanks

Cemented Tungsten Carbide: Circular Saw Tip Blanks • Standard Blanks Rectangular Blanks • Custom Blanks & Grades, Indexible Notcher & Planer Inserts

Carbide & Steel Saw Blades

Saws for Wood, Plastic, Ferrous and Non-Ferrous Metal Cutting
Rip Saws • General Purpose • Cutoff • Trim • Precision Trim
Plywood • Plastic • Combination • Aluminum • Dado • STROB®
Custom Manufactured • Ni-MATRIX™ Nail Cutting Saws •
AGGRESSOR™ Rough Duty Saws
ICE-PICK HI-HOOK™ Rip Saws

Bulk Nail Systems

Remanufacture Nail Gun Drive Pins
Parts & Service on new Aerosmith® Guns & Feeders

Silicone Rubber

RTV Mono-Component™ Liquid Silicone Rubber
STO & DBTL Catalyst • #4310 Dispenser - Agitator

Superabrasive Wheels

Diamond Wheels • CBN (Borazon®) Wheels
Superabrasive Tools

Conventional Abrasives

Vetrified Grinding Wheels • Abrasive Belts
Resin Bond Grinding Wheels

H.S.S. Industrial Knives

Planer Knives • Jointer Knives
Special Purpose & Custom Designed Knives

Machinery

Flash Butt Bandsaw Welder • MT 100 Brazing Table
#600 Universal Saw Grinder • #800 Saw Grinder
• #805 Saw Grinder • #1200 Double Side Grinder
#1250 Saw Chain Grinder • Precision Drill Sharpeners
Band Saw Grinder & Setter
ICE #550-E Economy Saw & Tool Grinder
ICE #555-B Economy Saw Sharpner

Miscellaneous

ICE Saw Setting Dial Gauge "The Standard in the Industry" • *ICE* Alloy Braze™ Paste • *ICE* Alloy Braze™ Wire • Black Flux
Precision Metal & Plastic Bushings • *ICEE-GRIND*™ Coolant • Miscellaneous Supplies used in Saw & Tool Manufacturing & Sharpening • Saw &
Tool Repair & Re-sharpening Service & Engineering Design Service

Borazon® is a trademark of the G.E. Co.; STROB® is a trademark of the Warehouser F.P. Corp.; Aerosmith® is a trademark of Aerosmith AG, Switzerland.

"Safety pays the highest dividends.™"

5000 Main Street • P.O. Box 216
Drakes Branch, VA 23937-0216 USA

FAX 434-568-3421

Phone 434-568-3311
Toll Free 800-424-3311

CARBIDE TIPS & BLANKS Table of Contents

[WA 7xxx-1](#)

[WB 7xxx-1](#)

[WC 7xxx-1](#)

[WD 7xxx-1](#)

[WE 7xxx-1](#)

[WF 7xxx-1](#)

[WG 7xxx-1](#)

[WH 7xxx-1](#)

[WQ 7xxx-1](#)

[WD 9xxx-1](#)

[WE 9xxx-1](#)

[WF 9xxx-1](#)

[WG 9xxx-1](#)

[WH 9xxx-1](#)

[ET 6155 - ET 6310](#)

[EG 9150-4 - 9250-4](#)

[STB-13 - 48A pg.1](#)

[STB-48B - 824 pg.2](#)

[Blanks 1000 pg.1](#)

[Blanks 1000 pg. 2](#)

[STROB Blanks](#)

[Core Drill Tips CDT-1 -7](#)

[Perc. Ham. Drill Tips CHDT-2 - 24](#)

[Masonry Drill Tips CMDT-2 - 24](#)

[Indexable Carbide Inserts](#)

[WA 7/9xxx-233-249 Series](#)

[WB 7/9xxx-233-249 Series](#)

[WC 7/9xxx-233-249 Series](#)

[WD 7/9xxx-233-249 Series](#)

[WDT 7/9xxx-233-249 Series](#)

[WE 7/9xxx-233-249 Series](#)

[WFL6xxx-233-249 Series](#)

[WF 7/9xxx-233-249 Series](#)

[WFS 9xxx-233-249 Series](#)

[WFSH 9xxx-233-249 Series](#)

[WG 7/9xxx-233-249 Series](#)

[WGC 5xxx-233-249 Series](#)

[WH 7/9xxx-233-249 Series](#)

[WP 9xxx-233-249 Series](#)

[WQ 7/9xxx-233-249 Series](#)

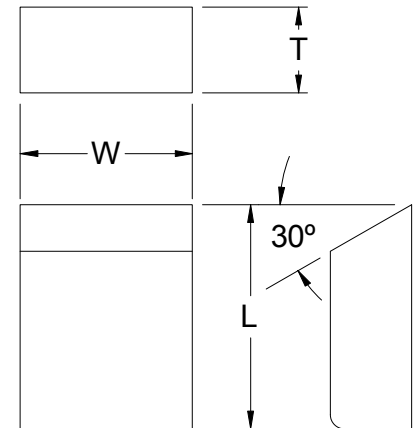
"Safety pays the highest dividends.™"

Cemented Tungsten Carbide Saw Tips: Data/Prices

Cemented Tungsten Carbide (T.C.) is the hardest metal known to man. Only industrial diamond super-abrasive can successfully grind it to the desired finished shape and sharpness.

Since 1974, **ICE** has become a prime source to industry for a wide range of tungsten carbide saw tips in both standard and custom shapes to meet customer's requirements.

Our sales and engineering personnel work with the customer to determine the optimum carbide grade for a specific application. Pre-tinned saw tips and blanks are also available.



STANDARD CARBIDE: WA SERIES (industry standards Grades 1, 2 & 3)

| W (Kerf ") | W (Kerf mm) | PART# | 25-99 pcs. 100 Plus 10% | 100-499 pcs. BASE PRICE | 500+ pcs. BASE PRICE less 10% |
|------------|-------------|---------|------------------------------|----------------------------|----------------------------------|
| .065" | 1.65mm | WA 7065 | Please Call for Price | | |
| .080 | 2.03 | WA 7080 | | | |
| .100 | 2.54 | WA 7100 | | | |
| .110 | 2.79 | WA 7110 | | | |
| .115 | 2.92 | WA 7115 | | | |
| .125 | 3.18 | WA 7125 | | | |
| .130 | 3.30 | WA 7130 | | | |
| .145 | 3.56 | WA 7145 | | | |
| .150 | 3.81 | WA 7150 | | | |
| .160 | 4.06 | WA 7160 | | | |
| .185 | 4.70 | WA 7185 | | | |
| .200 | 5.08 | WA 7200 | | | |
| .215 | 5.46 | WA 7215 | | | |

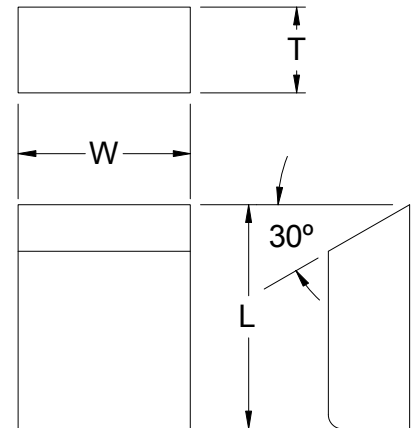
"Safety pays the highest dividends.™"

Cemented Tungsten Carbide Saw Tips: Data/Prices

Cemented Tungsten Carbide (T.C.) is the hardest metal known to man. Only industrial diamond super-abrasive can successfully grind it to the desired finished shape and sharpness.

Since 1974, **ICE** has become a prime source to industry for a wide range of tungsten carbide saw tips in both standard and custom shapes to meet customer's requirements.

Our sales and engineering personnel work with the customer to determine the optimum carbide grade for a specific application. Pre-tinned saw tips and blanks are also available.



STANDARD CARBIDE: WB SERIES (industry standards Grades 1, 2 & 3)

| L = 9/32"(.281") [7.14mm] T = 5/64" (.078") [1.98mm] TOP RELIEF 30° | | | | | |
|---|-------------|---------|-------------------------|-------------------------|-------------------------------|
| W (Kerf ") | W (Kerf mm) | PART# | 25-99 pcs. 100 Plus 10% | 100-499 pcs. BASE PRICE | 500+ pcs. BASE PRICE less 10% |
| .085" | 2.16mm | WB 7085 | Please Call for Price | | |
| .105 | 2.67 | WB 7105 | | | |
| .120 | 3.05 | WB 7120 | | | |
| .135 | 3.43 | WB 7135 | | | |
| .150 | 3.81 | WB 7150 | | | |
| .165 | 4.91 | WB 7165 | | | |
| .180 | 4.57 | WB 7180 | | | |
| .195 | 4.95 | WB 7195 | | | |
| .200 | 5.08 | WB 7200 | | | |
| .220 | 5.59 | WB 7220 | | | |
| .250 | 6.35 | WB 7250 | | | |
| .281 | 7.14 | WB 7281 | | | |
| .312 | 7.92 | WB 7312 | | | |

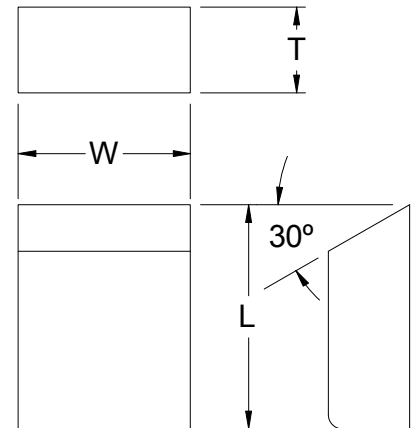
"Safety pays the highest dividends.™"

Cemented Tungsten Carbide Saw Tips: Data/Prices

Cemented Tungsten Carbide (T.C.) is the hardest metal known to man. Only industrial diamond super-abrasive can successfully grind it to the desired finished shape and sharpness.

Since 1974, **ICE** has become a prime source to industry for a wide range of tungsten carbide saw tips in both standard and custom shapes to meet customer's requirements.

Our sales and engineering personnel work with the customer to determine the optimum carbide grade for a specific application. Pre-tinned saw tips and blanks are also available.



STANDARD CARBIDE: WC SERIES (industry standards Grades 1,2 & 3)

| L = 9/32"(.281") [7.14mm] T = 3/32" (.093") [2.36mm] TOP RELIEF 30° | | | | |
|---|-------------|---------|-------------------------------|----------------------------|
| W (Kerf ") | W (Kerf mm) | PART# | 25-99 pcs. 100 Plus 10% | 100-499 pcs. BASE PRICE |
| .100" | 2.54mm | WC 7100 | 500+ pcs. BASE PRICE less 10% | |
| .120 | 3.05 | WC 7120 | Please Call for Price | |
| .135 | 3.43 | WC 7135 | | |
| .140 | 3.56 | WC 7140 | | |
| .150 | 3.81 | WC 7150 | | |
| .165 | 4.19 | WC 7165 | | |
| .185 | 4.70 | WC 7185 | | |
| .195 | 4.95 | WC 7195 | | |
| .215 | 5.46 | WC 7215 | | |

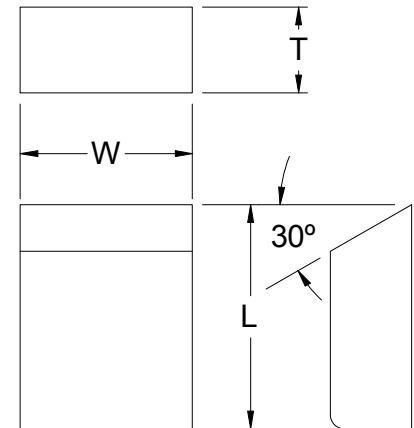
"Safety pays the highest dividends.™"

Cemented Tungsten Carbide Saw Tips: Data/Prices

Cemented Tungsten Carbide (T.C.) is the hardest metal known to man. Only industrial diamond super-abrasive can successfully grind it to the desired finished shape and sharpness.

Since 1974, **ICE** has become a prime source to industry for a wide range of tungsten carbide saw tips in both standard and custom shapes to meet customer's requirements.

Our sales and engineering personnel work with the customer to determine the optimum carbide grade for a specific application. Pre-tinned saw tips and blanks are also available.



STANDARD CARBIDE: WD SERIES (industry standards Grades 1, 2 & 3)

| L = 5/16"(.312") [7.92mm] T = 3/32" (.093") [2.36mm] TOP RELIEF 30° | | | | | |
|---|-------------|---------|----------------------------|----------------------------|-------------------------------------|
| W (Kerf ") | W (Kerf mm) | PART# | 25-99 pcs. 100 Plus 10% | 100-499 pcs. BASE PRICE | 500+ pcs. BASE PRICE less 10% |
| .115" | 2.92mm | WD 7115 | Please Call for Price | | |
| .120 | 3.05 | WD 7120 | | | |
| .135 | 3.43 | WD 7135 | | | |
| .140 | 3.56 | WD 7140 | | | |
| .150 | 3.81 | WD 7150 | | | |
| .165 | 4.16 | WD 7165 | | | |
| .180 | 4.57 | WD 7180 | | | |
| .185 | 4.70 | WD 7185 | | | |
| .200 | 5.08 | WD 7200 | | | |
| .215 | 5.46 | WD 7215 | | | |
| .220 | 5.59 | WD 7220 | | | |
| .230 | 5.84 | WD 7230 | | | |
| .250 | 6.35 | WD 7250 | | | |
| .281 | 7.14 | WD 7281 | | | |
| .312 | 7.92 | WD 7312 | | | |
| .375 | 9.53 | WD 7375 | | | |

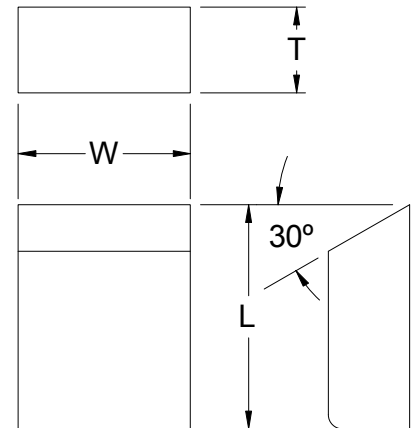
"Safety pays the highest dividends.™"

Cemented Tungsten Carbide Saw Tips: Data/Prices

Cemented Tungsten Carbide (T.C.) is the hardest metal known to man. Only industrial diamond super-abrasive can successfully grind it to the desired finished shape and sharpness.

Since 1974, **ICE** has become a prime source to industry for a wide range of tungsten carbide saw tips in both standard and custom shapes to meet customer's requirements.

Our sales and engineering personnel work with the customer to determine the optimum carbide grade for a specific application. Pre-tinned saw tips and blanks are also available.



STANDARD CARBIDE: WE SERIES *(industry standards Grades 1, 2 & 3)*

| L = 3/8"(.375") [9.53mm] T = 3/32" (.093") [2.36mm] TOP RELIEF 30° | | | | | |
|--|-------------|---------|-------------------------------|-------------------------------|----------------------------------|
| W (Kerf ") | W (Kerf mm) | PART# | 25-99 pcs. 100 Plus 10% | 100-499 pcs. BASE PRICE | 500+ pcs. BASE PRICE less 10% |
| .150" | 3.81mm | WE 7150 | Please Call for Price | | |
| .165 | 4.19 | WE 7165 | | | |
| .185 | 4.70 | WE 7185 | | | |
| .200 | 5.08 | WE 7200 | | | |
| .125 | 5.46 | WE 7215 | | | |
| .225 | 5.72 | WE 7225 | | | |
| .250 | 6.35 | WE 7250 | | | |
| .260 | 6.60 | WE 7260 | | | |
| .281 | 7.14 | WE 7281 | | | |
| .312 | 7.92 | WE 7312 | | | |
| .350 | 8.89 | WE 7350 | | | |
| .375 | 9.53 | WE 7375 | | | |

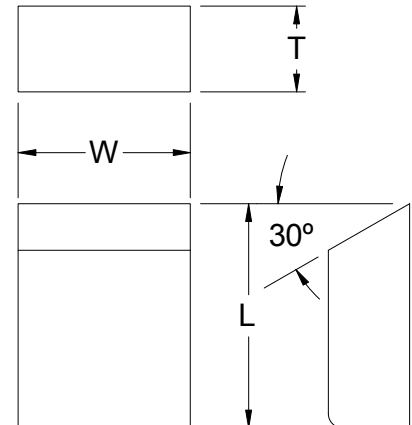
"Safety pays the highest dividends.™"

Cemented Tungsten Carbide Saw Tips: Data/Prices

Cemented Tungsten Carbide (T.C.) is the hardest metal known to man. Only industrial diamond super-abrasive can successfully grind it to the desired finished shape and sharpness.

Since 1974, **ICE** has become a prime source to industry for a wide range of tungsten carbide saw tips in both standard and custom shapes to meet customer's requirements.

Our sales and engineering personnel work with the customer to determine the optimum carbide grade for a specific application. Pre-tinned saw tips and blanks are also available.



STANDARD CARBIDE: WF SERIES (*industry standards Grades 1, 2 & 3*)

| L = 1/5"(.500") [12.7mm] T = 1/8" (.125") [3.18mm] TOP RELIEF 30° | | | | | |
|---|-------------|---------|----------------------------|----------------------------|-------------------------------------|
| W (Kerf ") | W (Kerf mm) | PART# | 25-99 pcs. 100 Plus 10% | 100-499 pcs. BASE PRICE | 500+ pcs. BASE PRICE less 10% |
| .150" | 3.81mm | WF 7150 | Please Call for Price | | |
| .165 | 4.19 | WF 7165 | | | |
| .170 | 4.32 | WF 7170 | | | |
| .180 | 4.57 | WF 7180 | | | |
| .190 | 4.83 | WF 7190 | | | |
| .200 | 5.08 | WF 7200 | | | |
| .215 | 5.46 | WF 7215 | | | |
| .220 | 5.59 | WF 7220 | | | |
| .225 | 5.72 | WF 7225 | | | |
| .230 | 5.84 | WF 7230 | | | |
| .240 | 6.10 | WF 7240 | | | |
| .250 | 6.35 | WF 7250 | | | |
| .270 | 6.86 | WF 7270 | | | |
| .280 | 7.11 | WF 7280 | | | |
| .290 | 7.37 | WF 7290 | | | |
| .312 | 7.92 | WF 7312 | | | |
| .375 | 9.53 | WF 7375 | | | |
| .400 | 10.16 | WF 7400 | | | |
| .437 | 11.10 | WF 7437 | | | |
| .500 | 12.70 | WF 7500 | | | |
| .562 | 14.27 | WF 7562 | | | |
| .625 | 15.88 | WF 7625 | | | |

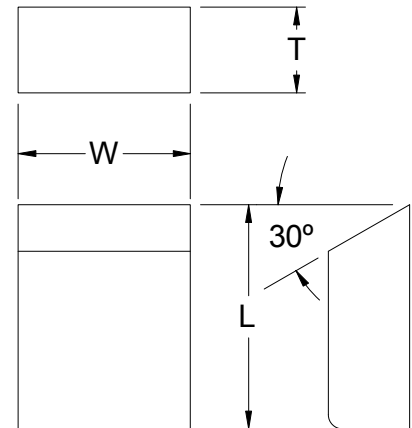
"Safety pays the highest dividends.™"

Cemented Tungsten Carbide Saw Tips: Data/Prices

Cemented Tungsten Carbide (T.C.) is the hardest metal known to man. Only industrial diamond super-abrasive can successfully grind it to the desired finished shape and sharpness.

Since 1974, **ICE** has become a prime source to industry for a wide range of tungsten carbide saw tips in both standard and custom shapes to meet customer's requirements.

Our sales and engineering personnel work with the customer to determine the optimum carbide grade for a specific application. Pre-tinned saw tips and blanks are also available.



STANDARD CARBIDE: WG SERIES (industry standards Grades 1,2 & 3)

| L = 3/8"(.375") [9.53mm] T = 1/8" (.125") [3.18mm] TOP RELIEF 30° | | | | | |
|---|-------------|---------|----------------------------|----------------------------|-------------------------------------|
| W (Kerf ") | W (Kerf mm) | PART# | 25-99 pcs. 100 Plus 10% | 100-499 pcs. BASE PRICE | 500+ pcs. BASE PRICE less 10% |
| .150" | 3.81mm | WG 7150 | Please Call for Price | | |
| .165 | 4.19 | WG 7165 | | | |
| .170 | 4.32 | WG 7170 | | | |
| .180 | 4.57 | WG 7180 | | | |
| .190 | 4.83 | WG 7190 | | | |
| .195 | 4.95 | WG 7195 | | | |
| .200 | 5.08 | WG 7200 | | | |
| .215 | 5.46 | WG 7215 | | | |
| .230 | 5.84 | WG 7230 | | | |
| .250 | 6.35 | WG 7250 | | | |
| .265 | 6.73 | WG 7265 | | | |
| .280 | 7.11 | WG 7280 | | | |
| .320 | 8.13 | WG 7320 | | | |
| .335 | 8.51 | WG 7335 | | | |
| .350 | 8.89 | WG 7350 | | | |
| .400 | 10.16 | WG 7400 | | | |
| .500 | 12.70 | WG 7500 | | | |

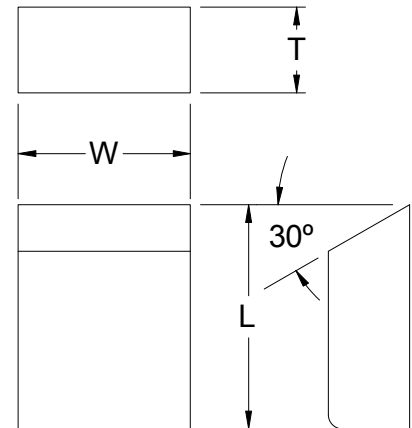
"Safety pays the highest dividends.™"

Cemented Tungsten Carbide Saw Tips: Data/Prices

Cemented Tungsten Carbide (T.C.) is the hardest metal known to man. Only industrial diamond super-abrasive can successfully grind it to the desired finished shape and sharpness.

Since 1974, **ICE** has become a prime source to industry for a wide range of tungsten carbide saw tips in both standard and custom shapes to meet customer's requirements.

Our sales and engineering personnel work with the customer to determine the optimum carbide grade for a specific application. Pre-tinned saw tips and blanks are also available.



STANDARD CARBIDE: WH SERIES (industry standards Grades 1, 2 & 3)

| L = 11/32"(.344") [8.74mm] T = 1/8" (.125") [3.18mm] TOP RELIEF 30° | | | | | |
|---|-------------|---------|----------------------------|----------------------------|-------------------------------------|
| W (Kerf ") | W (Kerf mm) | PART# | 25-99 pcs. 100 Plus 10% | 100-499 pcs. BASE PRICE | 500+ pcs. BASE PRICE less 10% |
| .130" | 3.30mm | WH 7130 | Please Call for Price | | |
| .150 | 3.81 | WH 7150 | | | |
| .165 | 4.19 | WH 7165 | | | |
| .180 | 4.57 | WH 7180 | | | |
| .200 | 5.08 | WH 7200 | | | |
| .215 | 5.46 | WH 7215 | | | |
| .230 | 5.84 | WH 7230 | | | |
| .240 | 6.10 | WH 7240 | | | |
| .250 | 6.35 | WH 7250 | | | |
| .265 | 6.73 | WH 7265 | | | |
| .270 | 6.86 | WH 7270 | | | |
| .300 | 7.62 | WH 7300 | | | |
| .335 | 8.51 | WH 7335 | | | |
| .350 | 8.89 | WH 7350 | | | |
| .400 | 10.16 | WH 7400 | | | |
| .460 | 11.68 | WH 7460 | | | |

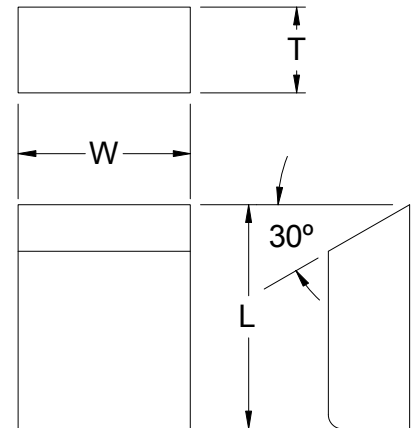
"Safety pays the highest dividends.™"

Cemented Tungsten Carbide Saw Tips: Data/Prices

Cemented Tungsten Carbide (T.C.) is the hardest metal known to man. Only industrial diamond super-abrasive can successfully grind it to the desired finished shape and sharpness.

Since 1974, **ICE** has become a prime source to industry for a wide range of tungsten carbide saw tips in both standard and custom shapes to meet customer's requirements.

Our sales and engineering personnel work with the customer to determine the optimum carbide grade for a specific application. Pre-tinned saw tips and blanks are also available.

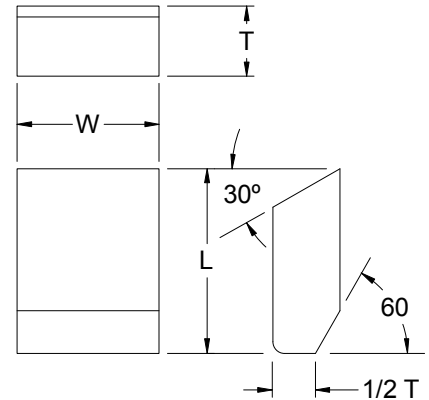


STANDARD CARBIDE: WQ SERIES (industry standards Grades 1, 2 & 3)

| L = 3/8"(.375") [9.53mm] T = 6/32" (.156") [3.96mm] TOP RELIEF 30° | | | | | |
|--|-------------|---------|----------------------------|----------------------------|-------------------------------------|
| W (Kerf ") | W (Kerf mm) | PART# | 25-99 pcs. 100 Plus 10% | 100-499 pcs. BASE PRICE | 500+ pcs. BASE PRICE less 10% |
| .170" | 4.32mm | WQ 7170 | Please Call for Price | | |
| .200 | 5.08 | WQ 7200 | | | |
| .230 | 5.84 | WQ 7230 | | | |
| .265 | 6.73 | WQ 7265 | | | |
| .300 | 7.62 | WQ 7300 | | | |
| .335 | 8.51 | WQ 7335 | | | |
| .375 | 9.53 | WQ 7375 | | | |
| .400 | 10.16 | WQ 7400 | | | |
| .530 | 13.46 | WQ 7530 | | | |
| .560 | 14.22 | WQ 7560 | | | |

"Safety pays the highest dividends.™"

9000 SERIES EUROPEAN STYLE

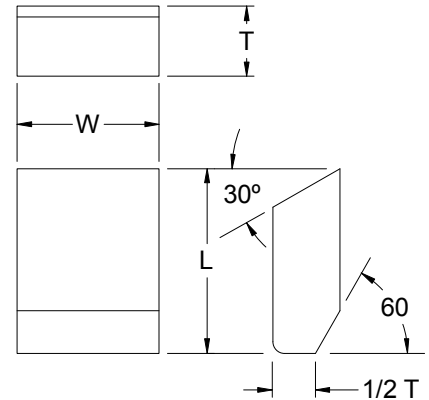


EUROPEAN STYLE: 9000 SERIES WD

| L = 5/16"(.312") [7.92mm] T = 3/32" (.093") [2.36mm] TOP RELIEF 30° | | | | | |
|---|-------------|---------|----------------------------|----------------------------|-------------------------------------|
| W (Kerf ") | W (Kerf mm) | PART# | 25-99 pcs. 100 Plus 10% | 100-499 pcs. BASE PRICE | 500+ pcs. BASE PRICE less 10% |
| .120" | 3.05m | WD 9120 | Please Call for Price | | |
| .135 | 3.43 | WD 9135 | | | |
| .150 | 3.81 | WD 9150 | | | |
| .165 | 4.19 | WD 9165 | | | |
| .185 | 4.70 | WD 9185 | | | |
| .200 | 5.08 | WD 9200 | | | |
| .215 | 5.46 | WD 9215 | | | |
| .230 | 5.84 | WD 9230 | | | |
| .250 | 6.35 | WD 9250 | | | |

"Safety pays the highest dividends.™"

9000 SERIES EUROPEAN STYLE

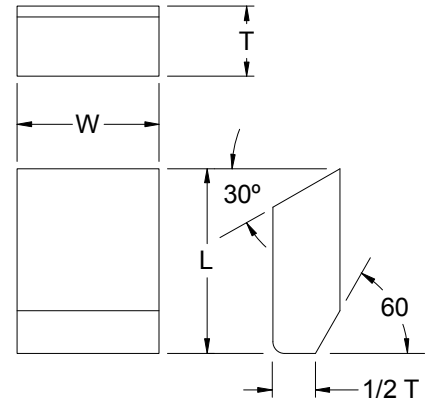


EUROPEAN STYLE: 9000 SERIES WE

| L = 3/8"(.375") [9.53mm] T = 3/32" (.093") [2.36mm] TOP RELIEF 30° | | | | | |
|--|-------------|---------|----------------------------|----------------------------|-------------------------------------|
| W (Kerf ") | W (Kerf mm) | PART# | 25-99 pcs. 100 Plus 10% | 100-499 pcs. BASE PRICE | 500+ pcs. BASE PRICE less 10% |
| .150" | 3.81mm | WE 9150 | Please Call for Price | | |
| .165 | 4.19 | WE 9165 | | | |
| .185 | 4.70 | WE 9185 | | | |
| .200 | 5.08 | WE 9200 | | | |
| .230 | 5.84 | WE 9230 | | | |

"Safety pays the highest dividends.™"

9000 SERIES EUROPEAN STYLE

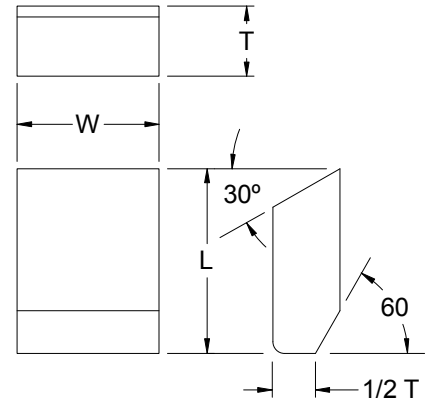


EUROPEAN STYLE: 9000 SERIES WF

| L = 1/2"(.500") [12.7mm] T = 1/8" (.125") [3.18mm] TOP RELIEF 30° | | | | | |
|---|-------------|---------|----------------------------|----------------------------|-------------------------------------|
| W (Kerf ") | W (Kerf mm) | PART# | 25-99 pcs. 100 Plus 10% | 100-499 pcs. BASE PRICE | 500+ pcs. BASE PRICE less 10% |
| .150" | 3.81mm | WF 9150 | Please Call for Price | | |
| .170 | 4.32 | WF 9170 | | | |
| .180 | 4.57 | WF 9180 | | | |
| .190 | 4.83 | WF 9190 | | | |
| .200 | 5.08 | WF 9200 | | | |
| .220 | 5.59 | WF 9220 | | | |
| .230 | 5.84 | WF 9230 | | | |
| .240 | 6.10 | WF 9240 | | | |
| .250 | 6.35 | WF 9250 | | | |
| .270 | 6.86 | WF 9270 | | | |
| .280 | 7.11 | WF 9280 | | | |
| .310 | 7.87 | WF 9310 | | | |

"Safety pays the highest dividends.™"

9000 SERIES EUROPEAN STYLE

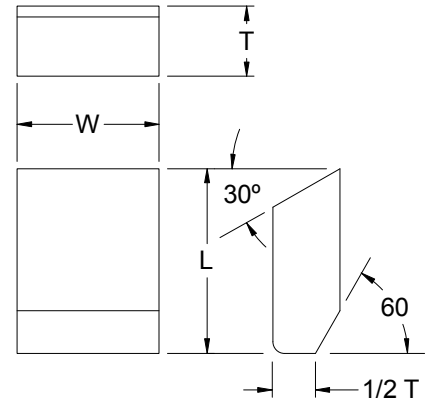


EUROPEAN STYLE: 9000 SERIES WG

| L = 3/8"(.375") [9.53mm] T = 1/8" (.125") [3.18mm] TOP RELIEF 30° | | | | | |
|---|-------------|---------|-------------------------|-------------------------|-------------------------------|
| W (Kerf ") | W (Kerf mm) | PART# | 25-99 pcs. 100 Plus 10% | 100-499 pcs. BASE PRICE | 500+ pcs. BASE PRICE less 10% |
| .130" | 3.30mm | WG 9130 | Please Call for Price | | |
| .150 | 3.81 | WG 9150 | | | |
| .160 | 4.06 | WG 9160 | | | |
| .180 | 4.57 | WG 9180 | | | |
| .190 | 4.83 | WG 9190 | | | |
| .200 | 5.08 | WG 9200 | | | |
| .210 | 5.33 | WG 9210 | | | |
| .215 | 5.46 | WG 9215 | | | |
| .230 | 5.84 | WG 9230 | | | |
| .240 | 6.10 | WG 9240 | | | |
| .260 | 6.60 | WG 9265 | | | |

"Safety pays the highest dividends.™"

9000 SERIES EUROPEAN STYLE

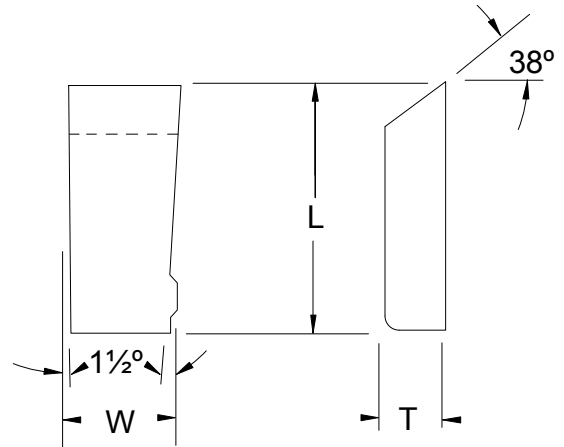


EUROPEAN STYLE: 9000 SERIES WH

| L = 11/32"(.344") [8.74mm] T = 1/8" (.125") [3.18mm] TOP RELIEF 30° | | | | | |
|---|-------------|---------|----------------------------|----------------------------|-------------------------------------|
| W (Kerf ") | W (Kerf mm) | PART# | 25-99 pcs. 100 Plus 10% | 100-499 pcs. BASE PRICE | 500+ pcs. BASE PRICE less 10% |
| .135" | 3.31mm | WH 9135 | Please Call for Price | | |
| .150 | 3.81 | WH 9150 | | | |
| .180 | 4.57 | WH 9180 | | | |

"Safety pays the highest dividends.™"

EDGER TIPS (with lug)

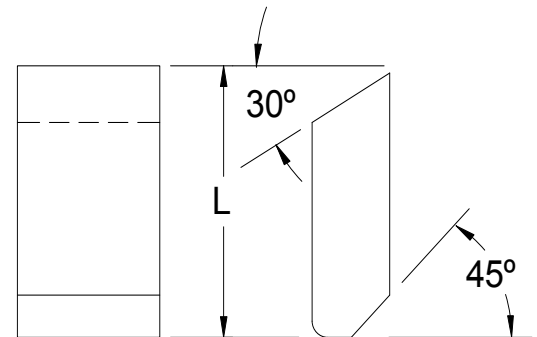


ET SERIES

| L = .541" [13.74mm] T = 1/8" (.125") [3.18mm] TOP RELIEF 38° | | | | | |
|--|-------------|---------|--|----------------------------|-------------------------------------|
| W (Kerf ") | W (Kerf mm) | PART# | | 100-499 pcs. BASE PRICE | 500+ pcs. BASE PRICE less 10% |
| .155" | 3.94mm | ET 6155 | | Please Call for Price | |
| .165 | 4.19 | ET 6165 | | | |
| .180 | 4.57 | ET 6180 | | | |
| .190 | 4.83 | ET 6190 | | | |
| .200 | 5.08 | ET 6200 | | | |
| .210 | 5.33 | ET 6210 | | | |
| .220 | 5.59 | ET 6220 | | | |
| .230 | 5.84 | ET 6230 | | | |
| .240 | 6.10 | ET 6240 | | | |
| .250 | 6.35 | ET 6250 | | | |
| .260 | 6.60 | ET 6260 | | | |
| .270 | 6.86 | ET 6270 | | | |
| .280 | 7.11 | ET 6280 | | | |
| .290 | 7.37 | ET 6290 | | | |
| .310 | 7.87 | ET 6310 | | | |

"Safety pays the highest dividends.™"

EDGER TIPS (without lug)

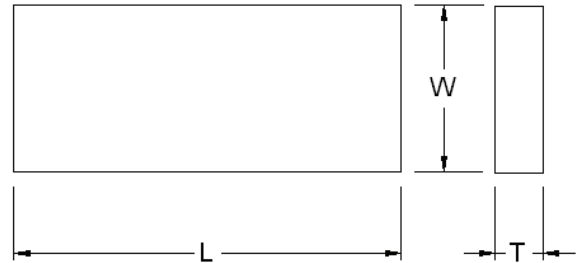


.421L TIPS: EG SERIES

| L = .421" [10.69mm] T = .118" [3.00mm] TOP RELIEF 30° | | | | | |
|---|-------------|-----------|----------------------------|----------------------------|-------------------------------------|
| W (Kerf ") | W (Kerf mm) | PART# | 25-99 pcs. 100 Plus 10% | 100-499 pcs. BASE PRICE | 500+ pcs. BASE PRICE less 10% |
| .155" | 3.94mm | EG 9150-4 | Please Call for Price | | |
| .165 | 4.19 | EG 9165-4 | | | |
| .185 | 4.70 | EG 9185-4 | | | |
| .200 | 5.08 | EG 9200-4 | | | |
| .215 | 5.46 | EG 9215-4 | | | |
| .250 | 6.35 | EG 9250-4 | | | |

"Safety pays the highest dividends.™"

RECTANGULAR STRIPS STYLE STB –UNGROUND



| Part # | Thickness | Width | Length | 1-99 | 100+ |
|----------|-----------|-------|--------|-----------------------|------|
| STB 13 | 3/32" | 3/64" | 1" | Please Call for Price | |
| STB 24A | 1/16 | 1/8 | 1 | | |
| STB 24B | 1/16 | 1/8 | 3 | | |
| STB 24C | 1/16 | 1/8 | 1¼ | | |
| STB 26A | 1/16 | 3/16 | 1 | | |
| STB 26C | 1/16 | 3/16 | 3 | | |
| STB 28A | 1/16 | 1/4 | 1 | | |
| STB 28B | 1/16 | 1/4 | 1¼ | | |
| STB 28D | 1/16 | 1/4 | 3 | | |
| STB 212C | 1/16 | 3/8 | 6 | | |
| STB 240 | 1/16 | 1¼ | 6 | | |
| STB 34 | 3/32 | 1/8 | 5 | | |
| STB 36A | 3/32 | 3/16 | 1¼ | | |
| STB 38A | 3/32 | 1/4 | 1 | | |
| STB 38B | 3/32 | 1/4 | 1½ | | |
| STB 38D | 3/32 | 1/4 | 5 | | |
| STB 38E | 3/32 | 1/4 | 6 | | |
| STB 310A | 3/32 | 5/16 | 2 | | |
| STB 310C | 3/32 | 5/16 | 5 | | |
| STB 312C | 3/32 | 3/8 | 6 | | |
| STB 316 | 3/32 | 1/2 | 6 | | |
| STB 320 | 3/32 | 5/8 | 6 | | |
| STB 324 | 3/32 | 3/4 | 6 | | |
| STB 328 | 3/32 | 7/8 | 6 | | |
| STB 332 | 3/32 | 1 | 6 | | |
| STB 46 | 1/8 | 3/16 | 6 | | |
| STB 48A | 1/8 | 1/4 | 1 | | |

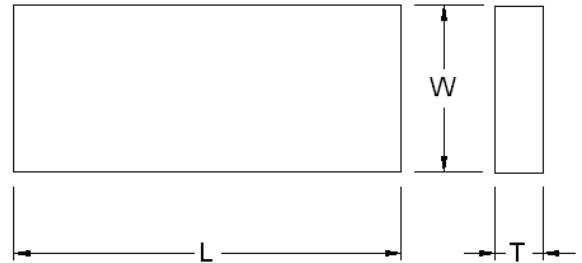
"Safety pays the highest dividends.™"

RECTANGULAR STRIPS STYLE STB –UNGROUND 2

| Part # | Thickness | Width | Length | 1-99 | 100+ |
|----------|-----------|-------|--------|-----------------------|------|
| STB 48B | 1/8" | 1/4" | 1 1/4" | Please Call for Price | |
| STB 48C | 1/8 | 1/4 | 2 1/4 | | |
| STB 48D | 1/8 | 1/4 | 3 | | |
| STB 48E | 1/8 | 1/4 | 6 | | |
| STB 410A | 1/8 | 5/16 | 1 1/2 | | |
| STB 410B | 1/8 | 5/16 | 3 | | |
| STB 410 | 1/8 | 5/16 | 6 | | |
| STB 412D | 1/8 | 3/8 | 1 | | |
| STB 412A | 1/8 | 3/8 | 2 | | |
| STB 412B | 1/8 | 3/8 | 3 | | |
| STB 412C | 1/8 | 3/8 | 6 | | |
| STB 416A | 1/8 | 1/2 | 1 | | |
| STB 416B | 1/8 | 1/2 | 1 1/2 | | |
| STB 416C | 1/8 | 1/2 | 3 | | |
| STB 416 | 1/8 | 1/2 | 6 | | |
| STB 420 | 1/8 | 5/8 | 6 | | |
| STB 424 | 1/8 | 3/4 | 6 | | |
| STB 428 | 1/8 | 7/8 | 6 | | |
| STB 432 | 1/8 | 1 | 6 | | |
| STB 516 | 1/8 | 1/2 | 6 | | |
| STB 520 | 1/8 | 5/8 | 6 | | |
| STB 524 | 5/32 | 3/4 | 6 | | |
| STB 528 | 5/32 | 7/8 | 6 | | |
| STB 532 | 5/32 | 1 | 6 | | |
| STB 68 | 3/16 | 1/4 | 6 | | |
| STB 610 | 3/16 | 5/16 | 6 | | |
| STB 612 | 3/16 | 3/8 | 6 | | |
| STB 616A | 3/16 | 1/2 | 3 | | |
| STB 616 | 3/16 | 1/2 | 6 | | |
| STB 620 | 3/16 | 5/8 | 6 | | |
| STB 624 | 3/16 | 3/4 | 6 | | |
| STB 812A | 1/4 | 3/8 | 3 | | |
| STB 812 | 1/4 | 3/8 | 6 | | |
| STB 816A | 1/4 | 1/2 | 3 | | |
| STB 816 | 1/4 | 1/2 | 6 | | |
| STB 820 | 1/4 | 5/8 | 6 | | |
| STB 824 | 1/4 | 3/4 | 6 | | |

"Safety pays the highest dividends.™"

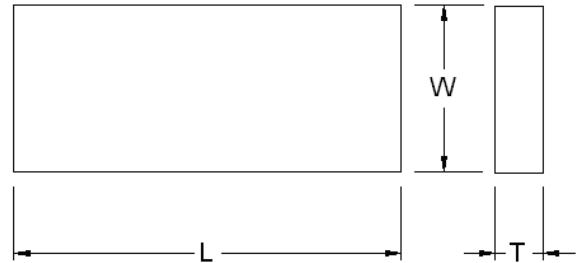
STANDARD BLANKS 1000 SERIES



| Part # | Thickness | Width | Length | 1-99 | 100+ |
|--------|-----------|-------|--------|-----------------------|------|
| 1010 | 1/16" | 1/8" | 5/8" | Please Call for Price | |
| 1020 | 1/16 | 3/16 | 1/4 | | |
| 1030 | 1/16 | 1/4 | 5/16 | | |
| 1040 | 3/32 | 3/16 | 5/16 | | |
| 1050 | 3/32 | 3/16 | 1/2 | | |
| 1060 | 3/32 | 1/4 | 3/8 | | |
| 1070 | 3/32 | 1/4 | 1/2 | | |
| 1080 | 3/32 | 5/16 | 3/8 | | |
| 1090 | 3/32 | 3/8 | 3/8 | | |
| 1100 | 3/32 | 3/8 | 1/2 | | |
| 1105 | 3/32 | 7/16 | 1/2 | | |
| 1110 | 1/8 | 3/16 | 3/4 | | |
| 1120 | 1/8 | 1/4 | 1/2 | | |
| 1130 | 1/8 | 1/4 | 5/8 | | |
| 1140 | 1/8 | 1/4 | 3/4 | | |
| 1150 | 1/8 | 5/16 | 7/16 | | |
| 1160 | 1/8 | 5/16 | 1/2 | | |
| 1170 | 1/8 | 5/16 | 5/8 | | |
| 1180 | 1/8 | 1/8 | 1/2 | | |
| 1190 | 1/8 | 3/8 | 3/4 | | |
| 1200 | 1/8 | 1/2 | 1/2 | | |
| 1210 | 1/8 | 1/2 | 3/4 | | |
| 1215 | 1/8 | 3/4 | 3/4 | | |
| 1220 | 5/32 | 3/8 | 9/16 | | |
| 1230 | 5/32 | 3/8 | 3/4 | | |

"Safety pays the highest dividends.™"

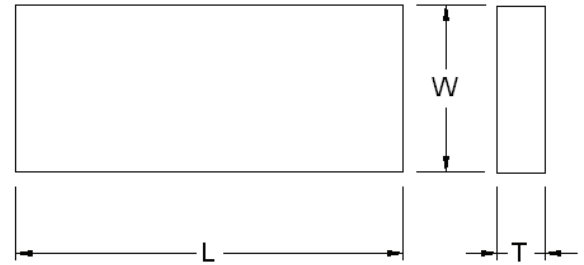
STANDARD BLANKS 1000 SERIES pg.2



| Part # | Thickness | Width | Length | 1-99 | 100+ |
|--------|-----------|-------|--------|-----------------------|------|
| 1240 | 5/32" | 5/8" | 5/8" | Please Call for Price | |
| 1250 | 3/16 | 5/16 | 1/4 | | |
| 1260 | 3/16 | 5/16 | 5/16 | | |
| 1270 | 3/16 | 3/8 | 5/16 | | |
| 1280 | 3/16 | 3/8 | 1/2 | | |
| 1290 | 3/16 | 3/8 | 3/8 | | |
| 1300 | 3/16 | 7/16 | 1/2 | | |
| 1310 | 3/16 | 7/16 | 3/8 | | |
| 1320 | 3/16 | 1/2 | 3/8 | | |
| 1330 | 3/16 | 1/2 | 1/2 | | |
| 1340 | 3/16 | 3/4 | 1/2 | | |
| 1350 | 1/4 | 3/8 | 3/4 | | |
| 1360 | 1/4 | 3/8 | 1/2 | | |
| 1370 | 1/4 | 7/16 | 5/8 | | |
| 1380 | 1/4 | 1/2 | 3/4 | | |
| 1390 | 1/4 | 9/16 | 7/16 | | |
| 1400 | 1/4 | 5/8 | 1/2 | | |
| 1405 | 1/4 | 3/4 | 5/8 | | |
| 1410 | 1/4 | 3/4 | 1/2 | | |
| 1415 | 1/4 | 1 | 3/4 | | |
| 1440 | 5/16 | 1/2 | 1/2 | | |
| 1480 | 5/16 | 3/4 | 3/4 | | |
| 1490 | 3/8 | 1/2 | 3/4 | | |
| 1500 | 3/8 | 1/2 | 9/16 | | |
| 1520 | 3/8 | 3/4 | 3/4 | | |

"Safety pays the highest dividends.™"

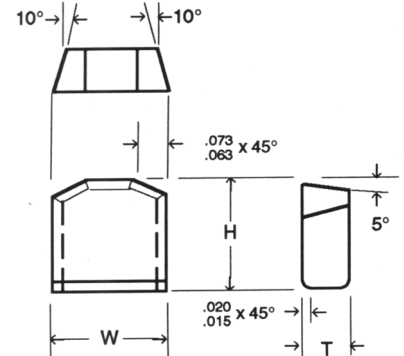
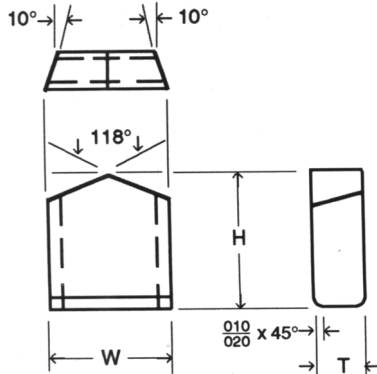
STROB® BLANKS



| Part # | Thickness | Width | Length | 1-99 | 100+ |
|----------------|-----------|--------|--------|-----------------------|------|
| STR 040140-016 | 1/8" | 0.140" | 1" | Please Call for Price | |
| STR 040140-020 | 1/8 | 0.140 | 1¼ | | |
| STR 040160-016 | 1/8 | 0.160 | 1 | | |
| STR 040160-020 | 1/8 | 0.160 | 1¼ | | |
| STR 040190-016 | 1/8 | 0.190 | 1 | | |
| STR 040190-020 | 1/8 | 0.190 | 1¼ | | |
| STR 040210-020 | 1/8 | 0.210 | 1¼ | | |
| STR 040220-020 | 1/8 | 0.220 | 1¼ | | |
| STR 040230-016 | 1/8 | 0.230 | 1 | | |
| STR 040230-020 | 1/8 | 0.230 | 1¼ | | |
| STR 040240-016 | 1/8 | 0.240 | 1 | | |
| STR 040240-020 | 1/8 | 0.240 | 1¼ | | |
| STR 040280-016 | 1/8 | 0.280 | 1 | | |
| STR 040280-020 | 1/8 | 0.280 | 1¼ | | |

"Safety pays the highest dividends.™"

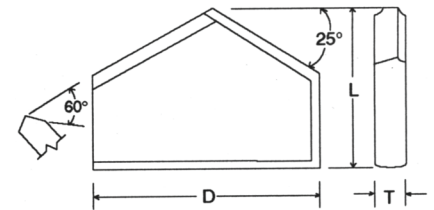
CORE DRILL TIPS



| Part # | Nom Dia. | D | T | L | 1-99 | 100+ |
|----------|----------|--------|--------|--------|-----------------------|------|
| CMDT 2 | 1/8" | 0.140" | 0.035" | 0.164" | Please Call for Price | |
| CMDT 2.5 | 5/32 | 0.171 | 0.035 | 0.180 | | |
| CMDT 3 | 3/16 | 0.206 | 0.045 | 0.197 | | |
| CMDT 3.5 | 7/32 | 0.273 | 0.045 | 0.220 | | |
| CMDT 4 | 1/4 | 0.268 | 0.060 | 0.220 | | |
| CMDT 4.5 | 9/32 | 0.304 | 0.060 | 0.260 | | |
| CMDT 5 | 5/16 | 0.335 | 0.060 | 0.260 | | |
| CMDT 6 | 3/8 | 0.398 | 0.078 | 0.320 | | |
| CMDT 7 | 7/16 | 0.468 | 0.078 | 0.375 | | |
| CMDT 8 | 1/2 | 0.530 | 0.091 | 0.430 | | |
| CMDT 9 | 9/16 | 0.592 | 0.091 | 0.472 | | |
| CMDT 10 | 5/8 | 0.660 | 0.091 | 0.510 | | |
| CMDT 12 | 3/4 | 0.787 | 0.091 | 0.598 | | |
| CMDT 14 | 7/8 | 0.907 | 0.091 | 0.650 | | |
| CMDT 16 | 1 | 1.042 | 0.122 | 0.718 | | |
| CMDT 18 | 1 1/8 | 1.175 | 0.122 | 0.758 | | |
| CMDT 20 | 1 1/4 | 1.300 | 0.122 | 0.758 | | |
| CMDT 22 | 1 3/8 | 1.425 | 0.122 | 0.843 | | |

"Safety pays the highest dividends.™"

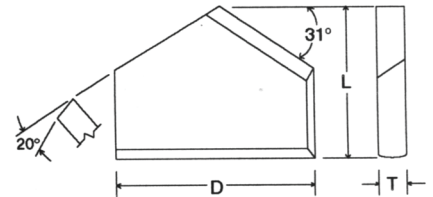
PERCUSSION (HAMMER) DRILL TIPS



| Part # | Nom Dia. | D | T | L | 1-99 | 100+ |
|----------|----------|--------|--------|--------|-----------------------|------|
| CHDT 2 | 1/8" | 0.140" | 0.039" | 0.165" | Please Call for Price | |
| CHDT 2.5 | 5/32 | 0.171 | 0.039 | 0.177 | | |
| CHDT 3 | 3/16 | 0.206 | 0.047 | 0.197 | | |
| CHDT 3.5 | 7/32 | 0.273 | 0.055 | 0.220 | | |
| CHDT 4 | 1/4 | 0.268 | 0.055 | 0.220 | | |
| CHDT 4.5 | 9/32 | 0.304 | 0.063 | 0.256 | | |
| CHDT 5 | 5/16 | 0.335 | 0.079 | 0.260 | | |
| CHDT 6 | 3/8 | 0.398 | 0.087 | 0.295 | | |
| CHDT 7 | 7/16 | 0.468 | 0.087 | 0.335 | | |
| CHDT 8 | 1/2 | 0.530 | 0.110 | 0.374 | | |
| CHDT 9 | 9/16 | 0.592 | 0.118 | 0.431 | | |
| CHDT 10 | 5/8 | 0.660 | 0.118 | 0.413 | | |
| CHDT 11 | 11/16 | 0.723 | 0.138 | 0.433 | | |
| CHDT 12 | 3/4 | 0.787 | 0.138 | 0.512 | | |
| CHDT 13 | 13/16 | 0.849 | 0.157 | 0.557 | | |
| CHDT 14 | 7/8 | 0.917 | 0.157 | 0.551 | | |
| CHDT 16 | 1 | 1.042 | 0.177 | 0.591 | | |
| CHDT 18 | 1 1/8 | 1.175 | 0.197 | 0.669 | | |
| CHDT 20 | 1 1/4 | 1.300 | 0.217 | 0.748 | | |
| CHDT 22 | 1 3/8 | 1.425 | 0.217 | 0.748 | | |
| CHDT 24 | 1 1/2 | 1.550 | 0.236 | 0.827 | | |

"Safety pays the highest dividends.™"

MASONRY DRILL TIPS



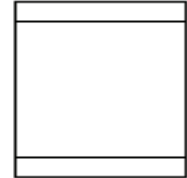
| Part # | Nom Dia. | D | T | L | 1-99 | 100+ |
|----------|----------|--------|--------|--------|-----------------------|------|
| CMDT 2 | 1/8" | 0.140" | 0.035" | 0.164" | Please Call for Price | |
| CMDT 2.5 | 5/32 | 0.171 | 0.035 | 0.180 | | |
| CMDT 3 | 3/16 | 0.206 | 0.045 | 0.197 | | |
| CMDT 3.5 | 7/32 | 0.273 | 0.045 | 0.220 | | |
| CMDT 4 | 1/4 | 0.268 | 0.060 | 0.220 | | |
| CMDT 4.5 | 9/32 | 0.304 | 0.060 | 0.260 | | |
| CMDT 5 | 5/16 | 0.335 | 0.060 | 0.260 | | |
| CMDT 6 | 3/8 | 0.398 | 0.078 | 0.320 | | |
| CMDT 7 | 7/16 | 0.468 | 0.078 | 0.375 | | |
| CMDT 8 | 1/2 | 0.530 | 0.091 | 0.430 | | |
| CMDT 9 | 9/16 | 0.592 | 0.091 | 0.472 | | |
| CMDT 10 | 5/8 | 0.660 | 0.091 | 0.510 | | |
| CMDT 12 | 3/4 | 0.787 | 0.091 | 0.598 | | |
| CMDT 14 | 7/8 | 0.907 | 0.091 | 0.650 | | |
| CMDT 16 | 1 | 1.042 | 0.122 | 0.718 | | |
| CMDT 18 | 1 1/8 | 1.175 | 0.122 | 0.758 | | |
| CMDT 20 | 1 1/4 | 1.300 | 0.122 | 0.758 | | |
| CMDT 22 | 1 3/8 | 1.425 | 0.122 | 0.843 | | |
| CMDT 24 | 1 1/2 | 1.550 | 0.122 | 0.843 | | |

"Safety pays the highest dividends.™"

INDEXABLE CARBIDE INSERTS

“RECTANGULAR” NOTCHER & SIZER INSERTS

Replacement Part to fit: PROFILE NOTCHER HEAD
(32 required per head.)



| | | |
|--------------------|-----------------|-----------------------|
| #IT-500X570-1 | NEW LUMBER | Please Call for Price |
| #IT-500X570N-233 | NAIL CUTTING | Please Call for Price |
| #IT-500X570-248-XL | NEW LUMBER “XL” | Please Call for Price |

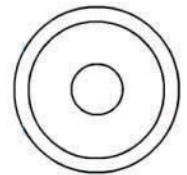
“SQUARE” NOTCHER & SIZER INSERTS

Replacement Part to fit: ECONOTOOL NOTCHER HEAD
(32 required per head.)

| | | |
|----------------|-----------------|-----------------------|
| #IT-650-1 | NEW LUMBER | Please Call for Price |
| #IT-650SN-233 | NAIL CUTTING | Please Call for Price |
| #IT-650-248-XL | NEW LUMBER “XL” | Please Call for Price |

“ROUND” NOTCHER & SIZER INSERTS

Replacement Part to fit: ECONOTOOL NOTCHER HEAD (8 req. p/head)
Replacement Part to fit: PROFILE TECHNOLOGY NOTCHER HEAD (12 req. p/head)



| | | |
|----------------|-----------------|-----------------------|
| #IT-650-1 | NEW LUMBER | Please Call for Price |
| #IT-650SN-233 | NAIL CUTTING | Please Call for Price |
| #IT-650-248-XL | NEW LUMBER “XL” | Please Call for Price |

SHARPENING SERVICE

WE SHARPEN WHAT WE SELL!!
SQUARE OR ROUND ICE PRICE ONLY \$1.90 per piece!

If your used insert exceeds the minimum size, we can sharpen it good-as-new for a fraction of the cost of buying new. More good news!! If your used insert can not be resharpened (see table below) *ICE* will allow a \$.25 credit on a new replacement insert.

MINIMUM SIZE ALLOWED AFTER RESHARPENING:

| | | |
|-------------------------|--------------------------|--------------------------|
| IT-500x570 : 0.460” (H) | IT-650S : 0.620” (W & H) | IT-1000R : 0.970” (Dia.) |
|-------------------------|--------------------------|--------------------------|

Ordering Information [All inserts are packaged 10 pieces per box.]
Discounts available to qualified distributors

“Safety pays the highest dividends.™”

WA7xxx-233 NI-MATRIX II™ NAIL CUTTING CARBIDE

| L = 0.250" [6.35mm] T = 0.062" [1.57mm] TOP RELIEF 30° | | | | | | |
|--|-------------|-------------|----------------------------|-------------------------------------|--------------------------------|--------------------------------------|
| W (Kerf ") | W (Kerf mm) | PART# | 25-99 pcs. 100 Plus 20% | 100-499 pcs. BASE PRICE + 10% | 500-4999 pcs. BASE PRICE | 5000+ pcs. BASE PRICE less 10% |
| 0.095 | 2.41mm | WA 7095-233 | Please Call for Price | | | |
| 0.100 | 2.54 | WA 7100-233 | | | | |
| 0.110 | 2.79 | WA 7110-233 | | | | |
| 0.120 | 3.05 | WA 7120-233 | | | | |
| 0.125 | 3.18 | WA 7125-233 | | | | |
| 0.130 | 3.30 | WA 7130-233 | | | | |
| 0.140 | 3.56 | WA 7140-233 | | | | |
| 0.145 | 3.68 | WA 7145-233 | | | | |
| 0.150 | 3.81 | WA 7150-233 | | | | |
| 0.160 | 4.06 | WA 7160-233 | | | | |
| 0.165 | 4.19 | WA 7165-233 | | | | |
| 0.170 | 4.32 | WA 7170-233 | | | | |
| 0.180 | 4.57 | WA 7180-233 | | | | |
| 0.190 | 4.83 | WA 7190-233 | | | | |
| 0.200 | 5.08 | WA 7200-233 | | | | |
| 0.210 | 5.33 | WA 7210-233 | | | | |
| 0.220 | 5.59 | WA 7220-233 | | | | |
| 0.230 | 5.84 | WA 7230-233 | | | | |
| 0.240 | 6.10 | WA 7240-233 | | | | |
| 0.250 | 6.35 | WA 7250-233 | | | | |
| 0.260 | 6.60 | WA 7260-233 | | | | |
| 0.270 | 6.86 | WA 7270-233 | | | | |
| 0.280 | 7.11 | WA 7280-233 | | | | |
| 0.290 | 7.37 | WA 7290-233 | | | | |
| 0.300 | 7.62 | WA 7300-233 | | | | |
| 0.325 | 8.26 | WA 7325-233 | | | | |
| 0.350 | 8.89 | WA 7350-233 | | | | |
| 0.375 | 9.53 | WA 7375-233 | | | | |
| 0.400 | 10.16 | WA 7400-233 | | | | |
| 0.425 | 10.80 | WA 7425-233 | | | | |
| 0.500 | 12.70 | WA 7500-233 | | | | |
| 0.525 | 13.34 | WA 7525-233 | | | | |
| 0.550 | 13.97 | WA 7550-233 | | | | |
| 0.575 | 14.61 | WA 7575-233 | | | | |
| 0.600 | 15.24 | WA 7600-233 | | | | |
| 0.625 | 15.88 | WA 7625-233 | | | | |

"Safety pays the highest dividends.™"

WA9xxx-233 NI-MATRIX II™ NAIL CUTTING CARBIDE

| L = 0.250" [6.35mm] T = 0.062" [1.57mm] TOP RELIEF 30° | | | | | | |
|--|-------------|-------------|----------------------------|-------------------------------------|-----------------------------|--------------------------------------|
| W (Kerf ") | W (Kerf mm) | PART# | 25-99 pcs. 100 Plus 20% | 100-499 pcs. BASE PRICE + 10% | 500-4999 pcs. BASE PRICE | 5000+ pcs. BASE PRICE less 10% |
| 0.095 | 2.41mm | WA 9095-233 | Please Call for Price | | | |
| 0.100 | 2.54 | WA 9100-233 | | | | |
| 0.110 | 2.79 | WA 9110-233 | | | | |
| 0.120 | 3.05 | WA 9120-233 | | | | |
| 0.125 | 3.18 | WA 9125-233 | | | | |
| 0.130 | 3.30 | WA 9130-233 | | | | |
| 0.140 | 3.56 | WA 9140-233 | | | | |
| 0.145 | 3.68 | WA 9145-233 | | | | |
| 0.150 | 3.81 | WA 9150-233 | | | | |
| 0.160 | 4.06 | WA 9160-233 | | | | |
| 0.165 | 4.19 | WA 9165-233 | | | | |
| 0.170 | 4.32 | WA 9170-233 | | | | |
| 0.180 | 4.57 | WA 9180-233 | | | | |
| 0.190 | 4.83 | WA 9190-233 | | | | |
| 0.200 | 5.08 | WA 9200-233 | | | | |
| 0.210 | 5.33 | WA 9210-233 | | | | |
| 0.220 | 5.59 | WA 9220-233 | | | | |
| 0.230 | 5.84 | WA 9230-233 | | | | |
| 0.240 | 6.10 | WA 9240-233 | | | | |
| 0.250 | 6.35 | WA 9250-233 | | | | |
| 0.260 | 6.60 | WA 9260-233 | | | | |
| 0.270 | 6.86 | WA 9270-233 | | | | |
| 0.280 | 7.11 | WA 9280-233 | | | | |
| 0.290 | 7.37 | WA 9290-233 | | | | |
| 0.300 | 7.62 | WA 9300-233 | | | | |
| 0.325 | 8.26 | WA 9325-233 | | | | |
| 0.350 | 8.89 | WA 9350-233 | | | | |
| 0.375 | 9.53 | WA 9375-233 | | | | |
| 0.400 | 10.16 | WA 9400-233 | | | | |
| 0.425 | 10.80 | WA 9425-233 | | | | |
| 0.500 | 12.70 | WA 9500-233 | | | | |
| 0.525 | 13.34 | WA 9525-233 | | | | |
| 0.550 | 13.97 | WA 9550-233 | | | | |
| 0.575 | 14.61 | WA 9575-233 | | | | |
| 0.600 | 15.24 | WA 9600-233 | | | | |
| 0.625 | 15.88 | WA 9625-233 | | | | |

"Safety pays the highest dividends.™"

5000 Main Street • P.O. Box 216
Drakes Branch, VA 23937-0216 USA

FAX 434-568-3421

Phone 434-568-3311
Toll Free 800-424-3311

WA7xxx-236 METAL MUNCHER™ NON-FERROUS CUTTING

| L = 0.250" [6.35mm] T = 0.062" [1.57mm] TOP RELIEF 30° | | | | | | |
|--|-------------|-------------|----------------------------|-------------------------------------|--------------------------------|--------------------------------------|
| W (Kerf ") | W (Kerf mm) | PART# | 25-99 pcs. 100 Plus 20% | 100-499 pcs. BASE PRICE + 10% | 500-4999 pcs. BASE PRICE | 5000+ pcs. BASE PRICE less 10% |
| 0.095 | 2.41mm | WA 7095-236 | Please Call for Price | | | |
| 0.100 | 2.54 | WA 7100-236 | | | | |
| 0.110 | 2.79 | WA 7110-236 | | | | |
| 0.120 | 3.05 | WA 7120-236 | | | | |
| 0.125 | 3.18 | WA 7125-236 | | | | |
| 0.130 | 3.30 | WA 7130-236 | | | | |
| 0.140 | 3.56 | WA 7140-236 | | | | |
| 0.145 | 3.68 | WA 7145-236 | | | | |
| 0.150 | 3.81 | WA 7150-236 | | | | |
| 0.160 | 4.06 | WA 7160-236 | | | | |
| 0.165 | 4.19 | WA 7165-236 | | | | |
| 0.170 | 4.32 | WA 7170-236 | | | | |
| 0.180 | 4.57 | WA 7180-236 | | | | |
| 0.190 | 4.83 | WA 7190-236 | | | | |
| 0.200 | 5.08 | WA 7200-236 | | | | |
| 0.210 | 5.33 | WA 7210-236 | | | | |
| 0.220 | 5.59 | WA 7220-236 | | | | |
| 0.230 | 5.84 | WA 7230-236 | | | | |
| 0.240 | 6.10 | WA 7240-236 | | | | |
| 0.250 | 6.35 | WA 7250-236 | | | | |
| 0.260 | 6.60 | WA 7260-236 | | | | |
| 0.270 | 6.86 | WA 7270-236 | | | | |
| 0.280 | 7.11 | WA 7280-236 | | | | |
| 0.290 | 7.37 | WA 7290-236 | | | | |
| 0.300 | 7.62 | WA 7300-236 | | | | |
| 0.325 | 8.26 | WA 7325-236 | | | | |
| 0.350 | 8.89 | WA 7350-236 | | | | |
| 0.375 | 9.53 | WA 7375-236 | | | | |
| 0.400 | 10.16 | WA 7400-236 | | | | |
| 0.425 | 10.80 | WA 7425-236 | | | | |
| 0.500 | 12.70 | WA 7500-236 | | | | |
| 0.525 | 13.34 | WA 7525-236 | | | | |
| 0.550 | 13.97 | WA 7550-236 | | | | |
| 0.575 | 14.61 | WA 7575-236 | | | | |
| 0.600 | 15.24 | WA 7600-236 | | | | |
| 0.625 | 15.88 | WA 7625-236 | | | | |

"Safety pays the highest dividends.™"

WA7xxx-239 METAL MUNCHER™ FERROUS CUTTING

| L = 0.250" [6.35mm] T = 0.062" [1.57mm] TOP RELIEF 30° | | | | | | |
|--|-------------|-------------|----------------------------|-------------------------------------|--------------------------------|--------------------------------------|
| W (Kerf ") | W (Kerf mm) | PART# | 25-99 pcs. 100 Plus 20% | 100-499 pcs. BASE PRICE + 10% | 500-4999 pcs. BASE PRICE | 5000+ pcs. BASE PRICE less 10% |
| 0.095 | 2.41mm | WA 7095-239 | Please Call for Price | | | |
| 0.100 | 2.54 | WA 7100-239 | | | | |
| 0.110 | 2.79 | WA 7110-239 | | | | |
| 0.120 | 3.05 | WA 7120-239 | | | | |
| 0.125 | 3.18 | WA 7125-239 | | | | |
| 0.130 | 3.30 | WA 7130-239 | | | | |
| 0.140 | 3.56 | WA 7140-239 | | | | |
| 0.145 | 3.68 | WA 7145-239 | | | | |
| 0.150 | 3.81 | WA 7150-239 | | | | |
| 0.160 | 4.06 | WA 7160-239 | | | | |
| 0.165 | 4.19 | WA 7165-239 | | | | |
| 0.170 | 4.32 | WA 7170-239 | | | | |
| 0.180 | 4.57 | WA 7180-239 | | | | |
| 0.190 | 4.83 | WA 7190-239 | | | | |
| 0.200 | 5.08 | WA 7200-239 | | | | |
| 0.210 | 5.33 | WA 7210-239 | | | | |
| 0.220 | 5.59 | WA 7220-239 | | | | |
| 0.230 | 5.84 | WA 7230-239 | | | | |
| 0.240 | 6.10 | WA 7240-239 | | | | |
| 0.250 | 6.35 | WA 7250-239 | | | | |
| 0.260 | 6.60 | WA 7260-239 | | | | |
| 0.270 | 6.86 | WA 7270-239 | | | | |
| 0.280 | 7.11 | WA 7280-239 | | | | |
| 0.290 | 7.37 | WA 7290-239 | | | | |
| 0.300 | 7.62 | WA 7300-239 | | | | |
| 0.325 | 8.26 | WA 7325-239 | | | | |
| 0.350 | 8.89 | WA 7350-239 | | | | |
| 0.375 | 9.53 | WA 7375-239 | | | | |
| 0.400 | 10.16 | WA 7400-239 | | | | |
| 0.425 | 10.80 | WA 7425-239 | | | | |
| 0.500 | 12.70 | WA 7500-239 | | | | |
| 0.525 | 13.34 | WA 7525-239 | | | | |
| 0.550 | 13.97 | WA 7550-239 | | | | |
| 0.575 | 14.61 | WA 7575-239 | | | | |
| 0.600 | 15.24 | WA 7600-239 | | | | |
| 0.625 | 15.88 | WA 7625-239 | | | | |

"Safety pays the highest dividends.™"

WA7xxx-248 XL KNOT MASTER™ EXTENDED LIFE CARBIDE

| L = 0.250" [6.35mm] T = 0.062" [1.57mm] TOP RELIEF 30° | | | | | | |
|--|-------------|----------------|----------------------------|-------------------------------------|-------------------------------|--------------------------------------|
| W (Kerf ") | W (Kerf mm) | PART# | 25-99 pcs. 100 Plus 20% | 100-499 pcs. BASE PRICE + 10% | 500-999 pcs. BASE PRICE | 5000+ pcs. BASE PRICE less 10% |
| 0.095 | 2.41mm | WA 7095-248-XL | Please Call for Price | | | |
| 0.100 | 2.54 | WA 7100-248-XL | | | | |
| 0.110 | 2.79 | WA 7110-248-XL | | | | |
| 0.120 | 3.05 | WA 7120-248-XL | | | | |
| 0.125 | 3.18 | WA 7125-248-XL | | | | |
| 0.130 | 3.30 | WA 7130-248-XL | | | | |
| 0.140 | 3.56 | WA 7140-248-XL | | | | |
| 0.145 | 3.68 | WA 7145-248-XL | | | | |
| 0.150 | 3.81 | WA 7150-248-XL | | | | |
| 0.160 | 4.06 | WA 7160-248-XL | | | | |
| 0.165 | 4.19 | WA 7165-248-XL | | | | |
| 0.170 | 4.32 | WA 7170-248-XL | | | | |
| 0.180 | 4.57 | WA 7180-248-XL | | | | |
| 0.190 | 4.83 | WA 7190-248-XL | | | | |
| 0.200 | 5.08 | WA 7200-248-XL | | | | |
| 0.210 | 5.33 | WA 7210-248-XL | | | | |
| 0.220 | 5.59 | WA 7220-248-XL | | | | |
| 0.230 | 5.84 | WA 7230-248-XL | | | | |
| 0.240 | 6.10 | WA 7240-248-XL | | | | |
| 0.250 | 6.35 | WA 7250-248-XL | | | | |
| 0.260 | 6.60 | WA 7260-248-XL | | | | |
| 0.270 | 6.86 | WA 7270-248-XL | | | | |
| 0.280 | 7.11 | WA 7280-248-XL | | | | |
| 0.290 | 7.37 | WA 7290-248-XL | | | | |
| 0.300 | 7.62 | WA 7300-248-XL | | | | |
| 0.325 | 8.26 | WA 7325-248-XL | | | | |
| 0.350 | 8.89 | WA 7350-248-XL | | | | |
| 0.375 | 9.53 | WA 7375-248-XL | | | | |
| 0.400 | 10.16 | WA 7400-248-XL | | | | |
| 0.425 | 10.80 | WA 7425-248-XL | | | | |
| 0.500 | 12.70 | WA 7500-248-XL | | | | |
| 0.525 | 13.34 | WA 7525-248-XL | | | | |
| 0.550 | 13.97 | WA 7550-248-XL | | | | |
| 0.575 | 14.61 | WA 7575-248-XL | | | | |
| 0.600 | 15.24 | WA 7600-248-XL | | | | |
| 0.625 | 15.88 | WA 7625-248-XL | | | | |

"Safety pays the highest dividends.™"

WA7xxx-249 KNOT MASTER™ CARBIDE SAW TIPS

| W (Kerf ") | W (Kerf mm) | PART# | 25-99 pcs. 100 Plus 20% | 100-499 pcs. BASE PRICE + 10% | 500-4999 pcs. BASE PRICE | 5000+ pcs. BASE PRICE less 10% |
|------------|-------------|-------------|----------------------------|-------------------------------------|--------------------------------|--------------------------------------|
| 0.095 | 2.41mm | WA 7095-249 | Please Call for Price | | | |
| 0.100 | 2.54 | WA 7100-249 | | | | |
| 0.110 | 2.79 | WA 7110-249 | | | | |
| 0.120 | 3.05 | WA 7120-249 | | | | |
| 0.125 | 3.18 | WA 7125-249 | | | | |
| 0.130 | 3.30 | WA 7130-249 | | | | |
| 0.140 | 3.56 | WA 7140-249 | | | | |
| 0.145 | 3.68 | WA 7145-249 | | | | |
| 0.150 | 3.81 | WA 7150-249 | | | | |
| 0.160 | 4.06 | WA 7160-249 | | | | |
| 0.165 | 4.19 | WA 7165-249 | | | | |
| 0.170 | 4.32 | WA 7170-249 | | | | |
| 0.180 | 4.57 | WA 7180-249 | | | | |
| 0.190 | 4.83 | WA 7190-249 | | | | |
| 0.200 | 5.08 | WA 7200-249 | | | | |
| 0.210 | 5.33 | WA 7210-249 | | | | |
| 0.220 | 5.59 | WA 7220-249 | | | | |
| 0.230 | 5.84 | WA 7230-249 | | | | |
| 0.240 | 6.10 | WA 7240-249 | | | | |
| 0.250 | 6.35 | WA 7250-249 | | | | |
| 0.260 | 6.60 | WA 7260-249 | | | | |
| 0.270 | 6.86 | WA 7270-249 | | | | |
| 0.280 | 7.11 | WA 7280-249 | | | | |
| 0.290 | 7.37 | WA 7290-249 | | | | |
| 0.300 | 7.62 | WA 7300-249 | | | | |
| 0.325 | 8.26 | WA 7325-249 | | | | |
| 0.350 | 8.89 | WA 7350-249 | | | | |
| 0.375 | 9.53 | WA 7375-249 | | | | |
| 0.400 | 10.16 | WA 7400-249 | | | | |
| 0.425 | 10.80 | WA 7425-249 | | | | |
| 0.500 | 12.70 | WA 7500-249 | | | | |
| 0.525 | 13.34 | WA 7525-249 | | | | |
| 0.550 | 13.97 | WA 7550-249 | | | | |
| 0.575 | 14.61 | WA 7575-249 | | | | |
| 0.600 | 15.24 | WA 7600-249 | | | | |
| 0.625 | 15.88 | WA 7625-249 | | | | |
| | | | | | | |

"Safety pays the highest dividends.™"

5000 Main Street • P.O. Box 216
Drakes Branch, VA 23937-0216 USA

FAX 434-568-3421

Phone 434-568-3311
Toll Free 800-424-3311

WB7xxx-233 NI-MATRIX II™ NAIL CUTTING CARBIDE

| L = 0.281" [7.14mm] T = 0.078" [1.98mm] TOP RELIEF 30° | | | | | | |
|--|-------------|-------------|----------------------------|-------------------------------------|--------------------------------|--------------------------------------|
| W (Kerf ") | W (Kerf mm) | PART# | 25-99 pcs. 100 Plus 20% | 100-499 pcs. BASE PRICE + 10% | 500-4999 pcs. BASE PRICE | 5000+ pcs. BASE PRICE less 10% |
| 0.095 | 2.41mm | WB 7095-233 | Please Call for Price | | | |
| 0.100 | 2.54 | WB 7100-233 | | | | |
| 0.110 | 2.79 | WB 7110-233 | | | | |
| 0.120 | 3.05 | WB 7120-233 | | | | |
| 0.125 | 3.18 | WB 7125-233 | | | | |
| 0.130 | 3.30 | WB 7130-233 | | | | |
| 0.140 | 3.56 | WB 7140-233 | | | | |
| 0.145 | 3.68 | WB 7145-233 | | | | |
| 0.150 | 3.81 | WB 7150-233 | | | | |
| 0.160 | 4.06 | WB 7160-233 | | | | |
| 0.165 | 4.19 | WB 7165-233 | | | | |
| 0.170 | 4.32 | WB 7170-233 | | | | |
| 0.180 | 4.57 | WB 7180-233 | | | | |
| 0.190 | 4.83 | WB 7190-233 | | | | |
| 0.200 | 5.08 | WB 7200-233 | | | | |
| 0.210 | 5.33 | WB 7210-233 | | | | |
| 0.220 | 5.59 | WB 7220-233 | | | | |
| 0.230 | 5.84 | WB 7230-233 | | | | |
| 0.240 | 6.10 | WB 7240-233 | | | | |
| 0.250 | 6.35 | WB 7250-233 | | | | |
| 0.260 | 6.60 | WB 7260-233 | | | | |
| 0.270 | 6.86 | WB 7270-233 | | | | |
| 0.280 | 7.11 | WB 7280-233 | | | | |
| 0.290 | 7.37 | WB 7290-233 | | | | |
| 0.300 | 7.62 | WB 7300-233 | | | | |
| 0.325 | 8.26 | WB 7325-233 | | | | |
| 0.350 | 8.89 | WB 7350-233 | | | | |
| 0.375 | 9.53 | WB 7375-233 | | | | |
| 0.400 | 10.16 | WB 7400-233 | | | | |
| 0.425 | 10.80 | WB 7425-233 | | | | |
| 0.500 | 12.70 | WB 7500-233 | | | | |
| 0.525 | 13.34 | WB 7525-233 | | | | |
| 0.550 | 13.97 | WB 7550-233 | | | | |
| 0.575 | 14.61 | WB 7575-233 | | | | |
| 0.600 | 15.24 | WB 7600-233 | | | | |
| 0.625 | 15.88 | WB 7625-233 | | | | |

"Safety pays the highest dividends.™"

5000 Main Street • P.O. Box 216
Drakes Branch, VA 23937-0216 USA

FAX 434-568-3421

Phone 434-568-3311
Toll Free 800-424-3311

WB9xxx-233 NI-MATRIX II™ NAIL CUTTING CARBIDE

| L = 0.281" [7.14mm] T = 0.078" [1.98mm] TOP RELIEF 30° | | | | | | |
|--|-------------|-------------|----------------------------|-------------------------------------|--------------------------------|--------------------------------------|
| W (Kerf ") | W (Kerf mm) | PART# | 25-99 pcs. 100 Plus 20% | 100-499 pcs. BASE PRICE + 10% | 500-4999 pcs. BASE PRICE | 5000+ pcs. BASE PRICE less 10% |
| 0.095 | 2.41mm | WB 9095-233 | Please Call for Price | | | |
| 0.100 | 2.54 | WB 9100-233 | | | | |
| 0.110 | 2.79 | WB 9110-233 | | | | |
| 0.120 | 3.05 | WB 9120-233 | | | | |
| 0.125 | 3.18 | WB 9125-233 | | | | |
| 0.130 | 3.30 | WB 9130-233 | | | | |
| 0.140 | 3.56 | WB 9140-233 | | | | |
| 0.145 | 3.68 | WB 9145-233 | | | | |
| 0.150 | 3.81 | WB 9150-233 | | | | |
| 0.160 | 4.06 | WB 9160-233 | | | | |
| 0.165 | 4.19 | WB 9165-233 | | | | |
| 0.170 | 4.32 | WB 9170-233 | | | | |
| 0.180 | 4.57 | WB 9180-233 | | | | |
| 0.190 | 4.83 | WB 9190-233 | | | | |
| 0.200 | 5.08 | WB 9200-233 | | | | |
| 0.210 | 5.33 | WB 9210-233 | | | | |
| 0.220 | 5.59 | WB 9220-233 | | | | |
| 0.230 | 5.84 | WB 9230-233 | | | | |
| 0.240 | 6.10 | WB 9240-233 | | | | |
| 0.250 | 6.35 | WB 9250-233 | | | | |
| 0.260 | 6.60 | WB 9260-233 | | | | |
| 0.270 | 6.86 | WB 9270-233 | | | | |
| 0.280 | 7.11 | WB 9280-233 | | | | |
| 0.290 | 7.37 | WB 9290-233 | | | | |
| 0.300 | 7.62 | WB 9300-233 | | | | |
| 0.325 | 8.26 | WB 9325-233 | | | | |
| 0.350 | 8.89 | WB 9350-233 | | | | |
| 0.375 | 9.53 | WB 9375-233 | | | | |
| 0.400 | 10.16 | WB 9400-233 | | | | |
| 0.425 | 10.80 | WB 9425-233 | | | | |
| 0.500 | 12.70 | WB 9500-233 | | | | |
| 0.525 | 13.34 | WB 9525-233 | | | | |
| 0.550 | 13.97 | WB 9550-233 | | | | |
| 0.575 | 14.61 | WB 9575-233 | | | | |
| 0.600 | 15.24 | WB 9600-233 | | | | |
| 0.625 | 15.88 | WB 9625-233 | | | | |

"Safety pays the highest dividends.™"

WB7xxx-236 METAL MUNCHER™ NON-FERROUS CUTTING

| L = 0.281" [7.14mm] T = 0.078" [1.98mm] TOP RELIEF 30° | | | | | | |
|--|-------------|-------------|----------------------------|-------------------------------------|--------------------------------|--------------------------------------|
| W (Kerf ") | W (Kerf mm) | PART# | 25-99 pcs. 100 Plus 20% | 100-499 pcs. BASE PRICE + 10% | 500-4999 pcs. BASE PRICE | 5000+ pcs. BASE PRICE less 10% |
| 0.095 | 2.41mm | WB 7095-236 | Please Call for Price | | | |
| 0.100 | 2.54 | WB 7100-236 | | | | |
| 0.110 | 2.79 | WB 7110-236 | | | | |
| 0.120 | 3.05 | WB 7120-236 | | | | |
| 0.125 | 3.18 | WB 7125-236 | | | | |
| 0.130 | 3.30 | WB 7130-236 | | | | |
| 0.140 | 3.56 | WB 7140-236 | | | | |
| 0.145 | 3.68 | WB 7145-236 | | | | |
| 0.150 | 3.81 | WB 7150-236 | | | | |
| 0.160 | 4.06 | WB 7160-236 | | | | |
| 0.165 | 4.19 | WB 7165-236 | | | | |
| 0.170 | 4.32 | WB 7170-236 | | | | |
| 0.180 | 4.57 | WB 7180-236 | | | | |
| 0.190 | 4.83 | WB 7190-236 | | | | |
| 0.200 | 5.08 | WB 7200-236 | | | | |
| 0.210 | 5.33 | WB 7210-236 | | | | |
| 0.220 | 5.59 | WB 7220-236 | | | | |
| 0.230 | 5.84 | WB 7230-236 | | | | |
| 0.240 | 6.10 | WB 7240-236 | | | | |
| 0.250 | 6.35 | WB 7250-236 | | | | |
| 0.260 | 6.60 | WB 7260-236 | | | | |
| 0.270 | 6.86 | WB 7270-236 | | | | |
| 0.280 | 7.11 | WB 7280-236 | | | | |
| 0.290 | 7.37 | WB 7290-236 | | | | |
| 0.300 | 7.62 | WB 7300-236 | | | | |
| 0.325 | 8.26 | WB 7325-236 | | | | |
| 0.350 | 8.89 | WB 7350-236 | | | | |
| 0.375 | 9.53 | WB 7375-236 | | | | |
| 0.400 | 10.16 | WB 7400-236 | | | | |
| 0.425 | 10.80 | WB 7425-236 | | | | |
| 0.500 | 12.70 | WB 7500-236 | | | | |
| 0.525 | 13.34 | WB 7525-236 | | | | |
| 0.550 | 13.97 | WB 7550-236 | | | | |
| 0.575 | 14.61 | WB 7575-236 | | | | |
| 0.600 | 15.24 | WB 7600-236 | | | | |
| 0.625 | 15.88 | WB 7625-236 | | | | |

"Safety pays the highest dividends.™"

WB7xxx-239 METAL MUNCHER™ FERROUS CUTTING

| L = 0.281" [7.14mm] T = 0.078" [1.98mm] TOP RELIEF 30° | | | | | | |
|--|-------------|-------------|----------------------------|-------------------------------------|--------------------------------|--------------------------------------|
| W (Kerf ") | W (Kerf mm) | PART# | 25-99 pcs. 100 Plus 20% | 100-499 pcs. BASE PRICE + 10% | 500-4999 pcs. BASE PRICE | 5000+ pcs. BASE PRICE less 10% |
| 0.095 | 2.41mm | WB 7095-239 | Please Call for Price | | | |
| 0.100 | 2.54 | WB 7100-239 | | | | |
| 0.110 | 2.79 | WB 7110-239 | | | | |
| 0.120 | 3.05 | WB 7120-239 | | | | |
| 0.125 | 3.18 | WB 7125-239 | | | | |
| 0.130 | 3.30 | WB 7130-239 | | | | |
| 0.140 | 3.56 | WB 7140-239 | | | | |
| 0.145 | 3.68 | WB 7145-239 | | | | |
| 0.150 | 3.81 | WB 7150-239 | | | | |
| 0.160 | 4.06 | WB 7160-239 | | | | |
| 0.165 | 4.19 | WB 7165-239 | | | | |
| 0.170 | 4.32 | WB 7170-239 | | | | |
| 0.180 | 4.57 | WB 7180-239 | | | | |
| 0.190 | 4.83 | WB 7190-239 | | | | |
| 0.200 | 5.08 | WB 7200-239 | | | | |
| 0.210 | 5.33 | WB 7210-239 | | | | |
| 0.220 | 5.59 | WB 7220-239 | | | | |
| 0.230 | 5.84 | WB 7230-239 | | | | |
| 0.240 | 6.10 | WB 7240-239 | | | | |
| 0.250 | 6.35 | WB 7250-239 | | | | |
| 0.260 | 6.60 | WB 7260-239 | | | | |
| 0.270 | 6.86 | WB 7270-239 | | | | |
| 0.280 | 7.11 | WB 7280-239 | | | | |
| 0.290 | 7.37 | WB 7290-239 | | | | |
| 0.300 | 7.62 | WB 7300-239 | | | | |
| 0.325 | 8.26 | WB 7325-239 | | | | |
| 0.350 | 8.89 | WB 7350-239 | | | | |
| 0.375 | 9.53 | WB 7375-239 | | | | |
| 0.400 | 10.16 | WB 7400-239 | | | | |
| 0.425 | 10.80 | WB 7425-239 | | | | |
| 0.500 | 12.70 | WB 7500-239 | | | | |
| 0.525 | 13.34 | WB 7525-239 | | | | |
| 0.550 | 13.97 | WB 7550-239 | | | | |
| 0.575 | 14.61 | WB 7575-239 | | | | |
| 0.600 | 15.24 | WB 7600-239 | | | | |
| 0.625 | 15.88 | WB 7625-239 | | | | |

"Safety pays the highest dividends.™"

WB7xxx-248 XL KNOT MASTER™ EXTENDED LIFE CARBIDE

| L = 0.281" [7.14mm] T = 0.078" [1.98mm] TOP RELIEF 30° | | | | | | |
|--|-------------|----------------|----------------------------|-------------------------------------|--------------------------------|--------------------------------------|
| W (Kerf ") | W (Kerf mm) | PART# | 25-99 pcs. 100 Plus 20% | 100-499 pcs. BASE PRICE + 10% | 500-4999 pcs. BASE PRICE | 5000+ pcs. BASE PRICE less 10% |
| 0.095 | 2.41mm | WB 7095-248-XL | Please Call for Price | | | |
| 0.100 | 2.54 | WB 7100-248-XL | | | | |
| 0.110 | 2.79 | WB 7110-248-XL | | | | |
| 0.120 | 3.05 | WB 7120-248-XL | | | | |
| 0.125 | 3.18 | WB 7125-248-XL | | | | |
| 0.130 | 3.30 | WB 7130-248-XL | | | | |
| 0.140 | 3.56 | WB 7140-248-XL | | | | |
| 0.145 | 3.68 | WB 7145-248-XL | | | | |
| 0.150 | 3.81 | WB 7150-248-XL | | | | |
| 0.160 | 4.06 | WB 7160-248-XL | | | | |
| 0.165 | 4.19 | WB 7165-248-XL | | | | |
| 0.170 | 4.32 | WB 7170-248-XL | | | | |
| 0.180 | 4.57 | WB 7180-248-XL | | | | |
| 0.190 | 4.83 | WB 7190-248-XL | | | | |
| 0.200 | 5.08 | WB 7200-248-XL | | | | |
| 0.210 | 5.33 | WB 7210-248-XL | | | | |
| 0.220 | 5.59 | WB 7220-248-XL | | | | |
| 0.230 | 5.84 | WB 7230-248-XL | | | | |
| 0.240 | 6.10 | WB 7240-248-XL | | | | |
| 0.250 | 6.35 | WB 7250-248-XL | | | | |
| 0.260 | 6.60 | WB 7260-248-XL | | | | |
| 0.270 | 6.86 | WB 7270-248-XL | | | | |
| 0.280 | 7.11 | WB 7280-248-XL | | | | |
| 0.290 | 7.37 | WB 7290-248-XL | | | | |
| 0.300 | 7.62 | WB 7300-248-XL | | | | |
| 0.325 | 8.26 | WB 7325-248-XL | | | | |
| 0.350 | 8.89 | WB 7350-248-XL | | | | |
| 0.375 | 9.53 | WB 7375-248-XL | | | | |
| 0.400 | 10.16 | WB 7400-248-XL | | | | |
| 0.425 | 10.80 | WB 7425-248-XL | | | | |
| 0.500 | 12.70 | WB 7500-248-XL | | | | |
| 0.525 | 13.34 | WB 7525-248-XL | | | | |
| 0.550 | 13.97 | WB 7550-248-XL | | | | |
| 0.575 | 14.61 | WB 7575-248-XL | | | | |
| 0.600 | 15.24 | WB 7600-248-XL | | | | |
| 0.625 | 15.88 | WB 7625-248-XL | | | | |

"Safety pays the highest dividends.™"

WB7xxx-249 KNOT MASTER™ CARBIDE SAW TIPS

| L = 0.281" [7.14mm] T = 0.078" [1.98mm] TOP RELIEF 30° | | | | | | |
|--|-------------|-------------|----------------------------|-------------------------------------|--------------------------------|--------------------------------------|
| W (Kerf ") | W (Kerf mm) | PART# | 25-99 pcs. 100 Plus 20% | 100-499 pcs. BASE PRICE + 10% | 500-4999 pcs. BASE PRICE | 5000+ pcs. BASE PRICE less 10% |
| 0.095 | 2.41mm | WB 7095-249 | Please Call for Price | | | |
| 0.100 | 2.54 | WB 7100-249 | | | | |
| 0.110 | 2.79 | WB 7110-249 | | | | |
| 0.120 | 3.05 | WB 7120-249 | | | | |
| 0.125 | 3.18 | WB 7125-249 | | | | |
| 0.130 | 3.30 | WB 7130-249 | | | | |
| 0.140 | 3.56 | WB 7140-249 | | | | |
| 0.145 | 3.68 | WB 7145-249 | | | | |
| 0.150 | 3.81 | WB 7150-249 | | | | |
| 0.160 | 4.06 | WB 7160-249 | | | | |
| 0.165 | 4.19 | WB 7165-249 | | | | |
| 0.170 | 4.32 | WB 7170-249 | | | | |
| 0.180 | 4.57 | WB 7180-249 | | | | |
| 0.190 | 4.83 | WB 7190-249 | | | | |
| 0.200 | 5.08 | WB 7200-249 | | | | |
| 0.210 | 5.33 | WB 7210-249 | | | | |
| 0.220 | 5.59 | WB 7220-249 | | | | |
| 0.230 | 5.84 | WB 7230-249 | | | | |
| 0.240 | 6.10 | WB 7240-249 | | | | |
| 0.250 | 6.35 | WB 7250-249 | | | | |
| 0.260 | 6.60 | WB 7260-249 | | | | |
| 0.270 | 6.86 | WB 7270-249 | | | | |
| 0.280 | 7.11 | WB 7280-249 | | | | |
| 0.290 | 7.37 | WB 7290-249 | | | | |
| 0.300 | 7.62 | WB 7300-249 | | | | |
| 0.325 | 8.26 | WB 7325-249 | | | | |
| 0.350 | 8.89 | WB 7350-249 | | | | |
| 0.375 | 9.53 | WB 7375-249 | | | | |
| 0.400 | 10.16 | WB 7400-249 | | | | |
| 0.425 | 10.80 | WB 7425-249 | | | | |
| 0.500 | 12.70 | WB 7500-249 | | | | |
| 0.525 | 13.34 | WB 7525-249 | | | | |
| 0.550 | 13.97 | WB 7550-249 | | | | |
| 0.575 | 14.61 | WB 7575-249 | | | | |
| 0.600 | 15.24 | WB 7600-249 | | | | |
| 0.625 | 15.88 | WB 7625-249 | | | | |

"Safety pays the highest dividends.™"

WC7xxx-233 NI-MATRIX II™ NAIL CUTTING CARBIDE

| L = 0.281" [7.14mm] T = 0.078" [1.98mm] TOP RELIEF 30° | | | | | | |
|--|-------------|-------------|----------------------------|-------------------------------------|--------------------------------|--------------------------------------|
| W (Kerf ") | W (Kerf mm) | PART# | 25-99 pcs. 100 Plus 20% | 100-499 pcs. BASE PRICE + 10% | 500-4999 pcs. BASE PRICE | 5000+ pcs. BASE PRICE less 10% |
| 0.095 | 2.41mm | WC 7095-233 | Please Call for Price | | | |
| 0.100 | 2.54 | WC 7100-233 | | | | |
| 0.110 | 2.79 | WC 7110-233 | | | | |
| 0.120 | 3.05 | WC 7120-233 | | | | |
| 0.125 | 3.18 | WC 7125-233 | | | | |
| 0.130 | 3.30 | WC 7130-233 | | | | |
| 0.140 | 3.56 | WC 7140-233 | | | | |
| 0.145 | 3.68 | WC 7145-233 | | | | |
| 0.150 | 3.81 | WC 7150-233 | | | | |
| 0.160 | 4.06 | WC 7160-233 | | | | |
| 0.165 | 4.19 | WC 7165-233 | | | | |
| 0.170 | 4.32 | WC 7170-233 | | | | |
| 0.180 | 4.57 | WC 7180-233 | | | | |
| 0.190 | 4.83 | WC 7190-233 | | | | |
| 0.200 | 5.08 | WC 7200-233 | | | | |
| 0.210 | 5.33 | WC 7210-233 | | | | |
| 0.220 | 5.59 | WC 7220-233 | | | | |
| 0.230 | 5.84 | WC 7230-233 | | | | |
| 0.240 | 6.10 | WC 7240-233 | | | | |
| 0.250 | 6.35 | WC 7250-233 | | | | |
| 0.260 | 6.60 | WC 7260-233 | | | | |
| 0.270 | 6.86 | WC 7270-233 | | | | |
| 0.280 | 7.11 | WC 7280-233 | | | | |
| 0.290 | 7.37 | WC 7290-233 | | | | |
| 0.300 | 7.62 | WC 7300-233 | | | | |
| 0.325 | 8.26 | WC 7325-233 | | | | |
| 0.350 | 8.89 | WC 7350-233 | | | | |
| 0.375 | 9.53 | WC 7375-233 | | | | |
| 0.400 | 10.16 | WC 7400-233 | | | | |
| 0.425 | 10.80 | WC 7425-233 | | | | |
| 0.500 | 12.70 | WC 7500-233 | | | | |
| 0.525 | 13.34 | WC 7525-233 | | | | |
| 0.550 | 13.97 | WC 7550-233 | | | | |
| 0.575 | 14.61 | WC 7575-233 | | | | |
| 0.600 | 15.24 | WC 7600-233 | | | | |
| 0.625 | 15.88 | WC 7625-233 | | | | |

"Safety pays the highest dividends.™"

WC9xxx-233 NI-MATRIX II™ NAIL CUTTING CARBIDE

| L = 0.281" [7.14mm] T = 0.078" [1.98mm] TOP RELIEF 30° | | | | | | |
|--|-------------|-------------|----------------------------|-------------------------------------|--------------------------------|--------------------------------------|
| W (Kerf ") | W (Kerf mm) | PART# | 25-99 pcs. 100 Plus 20% | 100-499 pcs. BASE PRICE + 10% | 500-4999 pcs. BASE PRICE | 5000+ pcs. BASE PRICE less 10% |
| 0.095 | 2.41mm | WC 9095-233 | Please Call for Price | | | |
| 0.100 | 2.54 | WC 9100-233 | | | | |
| 0.110 | 2.79 | WC 9110-233 | | | | |
| 0.120 | 3.05 | WC 9120-233 | | | | |
| 0.125 | 3.18 | WC 9125-233 | | | | |
| 0.130 | 3.30 | WC 9130-233 | | | | |
| 0.140 | 3.56 | WC 9140-233 | | | | |
| 0.145 | 3.68 | WC 9145-233 | | | | |
| 0.150 | 3.81 | WC 9150-233 | | | | |
| 0.160 | 4.06 | WC 9160-233 | | | | |
| 0.165 | 4.19 | WC 9165-233 | | | | |
| 0.170 | 4.32 | WC 9170-233 | | | | |
| 0.180 | 4.57 | WC 9180-233 | | | | |
| 0.190 | 4.83 | WC 9190-233 | | | | |
| 0.200 | 5.08 | WC 9200-233 | | | | |
| 0.210 | 5.33 | WC 9210-233 | | | | |
| 0.220 | 5.59 | WC 9220-233 | | | | |
| 0.230 | 5.84 | WC 9230-233 | | | | |
| 0.240 | 6.10 | WC 9240-233 | | | | |
| 0.250 | 6.35 | WC 9250-233 | | | | |
| 0.260 | 6.60 | WC 9260-233 | | | | |
| 0.270 | 6.86 | WC 9270-233 | | | | |
| 0.280 | 7.11 | WC 9280-233 | | | | |
| 0.290 | 7.37 | WC 9290-233 | | | | |
| 0.300 | 7.62 | WC 9300-233 | | | | |
| 0.325 | 8.26 | WC 9325-233 | | | | |
| 0.350 | 8.89 | WC 9350-233 | | | | |
| 0.375 | 9.53 | WC 9375-233 | | | | |
| 0.400 | 10.16 | WC 9400-233 | | | | |
| 0.425 | 10.80 | WC 9425-233 | | | | |
| 0.500 | 12.70 | WC 9500-233 | | | | |
| 0.525 | 13.34 | WC 9525-233 | | | | |
| 0.550 | 13.97 | WC 9550-233 | | | | |
| 0.575 | 14.61 | WC 9575-233 | | | | |
| 0.600 | 15.24 | WC 9600-233 | | | | |
| 0.625 | 15.88 | WC 9625-233 | | | | |

"Safety pays the highest dividends.™"

WC7xxx-236 METAL MUNCHER™ NON-FERROUS CUTTING

| W (Kerf ") | W (Kerf mm) | PART# | 25-99 pcs. 100 Plus 20% | 100-499 pcs. BASE PRICE + 10% | 500-4999 pcs. BASE PRICE | 5000+ pcs. BASE PRICE less 10% |
|------------|-------------|-------------|----------------------------|-------------------------------------|--------------------------------|--------------------------------------|
| 0.095 | 2.41mm | WC 7095-236 | Please Call for Price | | | |
| 0.100 | 2.54 | WC 7100-236 | | | | |
| 0.110 | 2.79 | WC 7110-236 | | | | |
| 0.120 | 3.05 | WC 7120-236 | | | | |
| 0.125 | 3.18 | WC 7125-236 | | | | |
| 0.130 | 3.30 | WC 7130-236 | | | | |
| 0.140 | 3.56 | WC 7140-236 | | | | |
| 0.145 | 3.68 | WC 7145-236 | | | | |
| 0.150 | 3.81 | WC 7150-236 | | | | |
| 0.160 | 4.06 | WC 7160-236 | | | | |
| 0.165 | 4.19 | WC 7165-236 | | | | |
| 0.170 | 4.32 | WC 7170-236 | | | | |
| 0.180 | 4.57 | WC 7180-236 | | | | |
| 0.190 | 4.83 | WC 7190-236 | | | | |
| 0.200 | 5.08 | WC 7200-236 | | | | |
| 0.210 | 5.33 | WC 7210-236 | | | | |
| 0.220 | 5.59 | WC 7220-236 | | | | |
| 0.230 | 5.84 | WC 7230-236 | | | | |
| 0.240 | 6.10 | WC 7240-236 | | | | |
| 0.250 | 6.35 | WC 7250-236 | | | | |
| 0.260 | 6.60 | WC 7260-236 | | | | |
| 0.270 | 6.86 | WC 7270-236 | | | | |
| 0.280 | 7.11 | WC 7280-236 | | | | |
| 0.290 | 7.37 | WC 7290-236 | | | | |
| 0.300 | 7.62 | WC 7300-236 | | | | |
| 0.325 | 8.26 | WC 7325-236 | | | | |
| 0.350 | 8.89 | WC 7350-236 | | | | |
| 0.375 | 9.53 | WC 7375-236 | | | | |
| 0.400 | 10.16 | WC 7400-236 | | | | |
| 0.425 | 10.80 | WC 7425-236 | | | | |
| 0.500 | 12.70 | WC 7500-236 | | | | |
| 0.525 | 13.34 | WC 7525-236 | | | | |
| 0.550 | 13.97 | WC 7550-236 | | | | |
| 0.575 | 14.61 | WC 7575-236 | | | | |
| 0.600 | 15.24 | WC 7600-236 | | | | |
| 0.625 | 15.88 | WC 7625-236 | | | | |

“Safety pays the highest dividends.™”

WC7xxx-239 METAL MUNCHER™ FERROUS CUTTING

| L = 0.281" [7.14mm] T = 0.078" [1.98mm] TOP RELIEF 30° | | | | | | |
|--|-------------|-------------|----------------------------|-------------------------------------|--------------------------------|--------------------------------------|
| W (Kerf ") | W (Kerf mm) | PART# | 25-99 pcs. 100 Plus 20% | 100-499 pcs. BASE PRICE + 10% | 500-4999 pcs. BASE PRICE | 5000+ pcs. BASE PRICE less 10% |
| 0.095 | 2.41mm | WC 7095-239 | Please Call for Price | | | |
| 0.100 | 2.54 | WC 7100-239 | | | | |
| 0.110 | 2.79 | WC 7110-239 | | | | |
| 0.120 | 3.05 | WC 7120-239 | | | | |
| 0.125 | 3.18 | WC 7125-239 | | | | |
| 0.130 | 3.30 | WC 7130-239 | | | | |
| 0.140 | 3.56 | WC 7140-239 | | | | |
| 0.145 | 3.68 | WC 7145-239 | | | | |
| 0.150 | 3.81 | WC 7150-239 | | | | |
| 0.160 | 4.06 | WC 7160-239 | | | | |
| 0.165 | 4.19 | WC 7165-239 | | | | |
| 0.170 | 4.32 | WC 7170-239 | | | | |
| 0.180 | 4.57 | WC 7180-239 | | | | |
| 0.190 | 4.83 | WC 7190-239 | | | | |
| 0.200 | 5.08 | WC 7200-239 | | | | |
| 0.210 | 5.33 | WC 7210-239 | | | | |
| 0.220 | 5.59 | WC 7220-239 | | | | |
| 0.230 | 5.84 | WC 7230-239 | | | | |
| 0.240 | 6.10 | WC 7240-239 | | | | |
| 0.250 | 6.35 | WC 7250-239 | | | | |
| 0.260 | 6.60 | WC 7260-239 | | | | |
| 0.270 | 6.86 | WC 7270-239 | | | | |
| 0.280 | 7.11 | WC 7280-239 | | | | |
| 0.290 | 7.37 | WC 7290-239 | | | | |
| 0.300 | 7.62 | WC 7300-239 | | | | |
| 0.325 | 8.26 | WC 7325-239 | | | | |
| 0.350 | 8.89 | WC 7350-239 | | | | |
| 0.375 | 9.53 | WC 7375-239 | | | | |
| 0.400 | 10.16 | WC 7400-239 | | | | |
| 0.425 | 10.80 | WC 7425-239 | | | | |
| 0.500 | 12.70 | WC 7500-239 | | | | |
| 0.525 | 13.34 | WC 7525-239 | | | | |
| 0.550 | 13.97 | WC 7550-239 | | | | |
| 0.575 | 14.61 | WC 7575-239 | | | | |
| 0.600 | 15.24 | WC 7600-239 | | | | |
| 0.625 | 15.88 | WC 7625-239 | | | | |

"Safety pays the highest dividends.™"

WC7xxx-248 XL KNOT MASTER™ EXTENDED LIFE CARBIDE

| L = 0.281" [7.14mm] T = 0.078" [1.98mm] TOP RELIEF 30° | | | | | | |
|--|-------------|----------------|----------------------------|-------------------------------------|--------------------------------|--------------------------------------|
| W (Kerf ") | W (Kerf mm) | PART# | 25-99 pcs. 100 Plus 20% | 100-499 pcs. BASE PRICE + 10% | 500-4999 pcs. BASE PRICE | 5000+ pcs. BASE PRICE less 10% |
| 0.095 | 2.41mm | WC 7095-248-XL | Please Call for Price | | | |
| 0.100 | 2.54 | WC 7100-248-XL | | | | |
| 0.110 | 2.79 | WC 7110-248-XL | | | | |
| 0.120 | 3.05 | WC 7120-248-XL | | | | |
| 0.125 | 3.18 | WC 7125-248-XL | | | | |
| 0.130 | 3.30 | WC 7130-248-XL | | | | |
| 0.140 | 3.56 | WC 7140-248-XL | | | | |
| 0.145 | 3.68 | WC 7145-248-XL | | | | |
| 0.150 | 3.81 | WC 7150-248-XL | | | | |
| 0.160 | 4.06 | WC 7160-248-XL | | | | |
| 0.165 | 4.19 | WC 7165-248-XL | | | | |
| 0.170 | 4.32 | WC 7170-248-XL | | | | |
| 0.180 | 4.57 | WC 7180-248-XL | | | | |
| 0.190 | 4.83 | WC 7190-248-XL | | | | |
| 0.200 | 5.08 | WC 7200-248-XL | | | | |
| 0.210 | 5.33 | WC 7210-248-XL | | | | |
| 0.220 | 5.59 | WC 7220-248-XL | | | | |
| 0.230 | 5.84 | WC 7230-248-XL | | | | |
| 0.240 | 6.10 | WC 7240-248-XL | | | | |
| 0.250 | 6.35 | WC 7250-248-XL | | | | |
| 0.260 | 6.60 | WC 7260-248-XL | | | | |
| 0.270 | 6.86 | WC 7270-248-XL | | | | |
| 0.280 | 7.11 | WC 7280-248-XL | | | | |
| 0.290 | 7.37 | WC 7290-248-XL | | | | |
| 0.300 | 7.62 | WC 7300-248-XL | | | | |
| 0.325 | 8.26 | WC 7325-248-XL | | | | |
| 0.350 | 8.89 | WC 7350-248-XL | | | | |
| 0.375 | 9.53 | WC 7375-248-XL | | | | |
| 0.400 | 10.16 | WC 7400-248-XL | | | | |
| 0.425 | 10.80 | WC 7425-248-XL | | | | |
| 0.500 | 12.70 | WC 7500-248-XL | | | | |
| 0.525 | 13.34 | WC 7525-248-XL | | | | |
| 0.550 | 13.97 | WC 7550-248-XL | | | | |
| 0.575 | 14.61 | WC 7575-248-XL | | | | |
| 0.600 | 15.24 | WC 7600-248-XL | | | | |
| 0.625 | 15.88 | WC 7625-248-XL | | | | |

"Safety pays the highest dividends.™"

WC7xxx-249 KNOT MASTER™ CARBIDE SAW TIPS

| L = 0.281" [7.14mm] T = 0.078" [1.98mm] TOP RELIEF 30° | | | | | | |
|--|-------------|-------------|-------------------------------|-------------------------------------|--------------------------------|--------------------------------------|
| W (Kerf ") | W (Kerf mm) | PART# | 25-99 pcs. 100 Plus 20% | 100-499 pcs. BASE PRICE + 10% | 500-4999 pcs. BASE PRICE | 5000+ pcs. BASE PRICE less 10% |
| 0.095 | 2.41mm | WC 7095-249 | Please Call for Price | | | |
| 0.100 | 2.54 | WC 7100-249 | | | | |
| 0.110 | 2.79 | WC 7110-249 | | | | |
| 0.120 | 3.05 | WC 7120-249 | | | | |
| 0.125 | 3.18 | WC 7125-249 | | | | |
| 0.130 | 3.30 | WC 7130-249 | | | | |
| 0.140 | 3.56 | WC 7140-249 | | | | |
| 0.145 | 3.68 | WC 7145-249 | | | | |
| 0.150 | 3.81 | WC 7150-249 | | | | |
| 0.160 | 4.06 | WC 7160-249 | | | | |
| 0.165 | 4.19 | WC 7165-249 | | | | |
| 0.170 | 4.32 | WC 7170-249 | | | | |
| 0.180 | 4.57 | WC 7180-249 | | | | |
| 0.190 | 4.83 | WC 7190-249 | | | | |
| 0.200 | 5.08 | WC 7200-249 | | | | |
| 0.210 | 5.33 | WC 7210-249 | | | | |
| 0.220 | 5.59 | WC 7220-249 | | | | |
| 0.230 | 5.84 | WC 7230-249 | | | | |
| 0.240 | 6.10 | WC 7240-249 | | | | |
| 0.250 | 6.35 | WC 7250-249 | | | | |
| 0.260 | 6.60 | WC 7260-249 | | | | |
| 0.270 | 6.86 | WC 7270-249 | | | | |
| 0.280 | 7.11 | WC 7280-249 | | | | |
| 0.290 | 7.37 | WC 7290-249 | | | | |
| 0.300 | 7.62 | WC 7300-249 | | | | |
| 0.325 | 8.26 | WC 7325-249 | | | | |
| 0.350 | 8.89 | WC 7350-249 | | | | |
| 0.375 | 9.53 | WC 7375-249 | | | | |
| 0.400 | 10.16 | WC 7400-249 | | | | |
| 0.425 | 10.80 | WC 7425-249 | | | | |
| 0.500 | 12.70 | WC 7500-249 | | | | |
| 0.525 | 13.34 | WC 7525-249 | | | | |
| 0.550 | 13.97 | WC 7550-249 | | | | |
| 0.575 | 14.61 | WC 7575-249 | | | | |
| 0.600 | 15.24 | WC 7600-249 | | | | |
| 0.625 | 15.88 | WC 7625-249 | | | | |

"Safety pays the highest dividends.™"

WD7xxx-233 NI-MATRIX II™ NAIL CUTTING CARBIDE

L = 0.312" [7.92mm] T = 0.093" [2.36mm] TOP RELIEF 30°

| W (Kerf ") | W (Kerf mm) | PART# | 25-99 pcs. 100 Plus 20% | 100-499 pcs. BASE PRICE + 10% | 500-4999 pcs. BASE PRICE | 5000+ pcs. BASE PRICE less 10% |
|------------|-------------|-------------|----------------------------|-------------------------------------|--------------------------------|--------------------------------------|
| 0.095 | 2.41mm | WD 7095-233 | Please Call for Price | | | |
| 0.100 | 2.54 | WD 7100-233 | | | | |
| 0.110 | 2.79 | WD 7110-233 | | | | |
| 0.120 | 3.05 | WD 7120-233 | | | | |
| 0.125 | 3.18 | WD 7125-233 | | | | |
| 0.130 | 3.30 | WD 7130-233 | | | | |
| 0.140 | 3.56 | WD 7140-233 | | | | |
| 0.145 | 3.68 | WD 7145-233 | | | | |
| 0.150 | 3.81 | WD 7150-233 | | | | |
| 0.160 | 4.06 | WD 7160-233 | | | | |
| 0.165 | 4.19 | WD 7165-233 | | | | |
| 0.170 | 4.32 | WD 7170-233 | | | | |
| 0.180 | 4.57 | WD 7180-233 | | | | |
| 0.190 | 4.83 | WD 7190-233 | | | | |
| 0.200 | 5.08 | WD 7200-233 | | | | |
| 0.210 | 5.33 | WD 7210-233 | | | | |
| 0.220 | 5.59 | WD 7220-233 | | | | |
| 0.230 | 5.84 | WD 7230-233 | | | | |
| 0.240 | 6.10 | WD 7240-233 | | | | |
| 0.250 | 6.35 | WD 7250-233 | | | | |
| 0.260 | 6.60 | WD 7260-233 | | | | |
| 0.270 | 6.86 | WD 7270-233 | | | | |
| 0.280 | 7.11 | WD 7280-233 | | | | |
| 0.290 | 7.37 | WD 7290-233 | | | | |
| 0.300 | 7.62 | WD 7300-233 | | | | |
| 0.325 | 8.26 | WD 7325-233 | | | | |
| 0.350 | 8.89 | WD 7350-233 | | | | |
| 0.375 | 9.53 | WD 7375-233 | | | | |
| 0.400 | 10.16 | WD 7400-233 | | | | |
| 0.425 | 10.80 | WD 7425-233 | | | | |
| 0.500 | 12.70 | WD 7500-233 | | | | |
| 0.525 | 13.34 | WD 7525-233 | | | | |
| 0.550 | 13.97 | WD 7550-233 | | | | |
| 0.575 | 14.61 | WD 7575-233 | | | | |
| 0.600 | 15.24 | WD 7600-233 | | | | |
| 0.625 | 15.88 | WD 7625-233 | | | | |

"Safety pays the highest dividends.™"

WD9xxx-233 NI-MATRIX II™ NAIL CUTTING CARBIDE

| L = 0.312" [7.92mm] T = 0.093" [2.36mm] TOP RELIEF 30° | | | | | | |
|--|-------------|-------------|----------------------------|-------------------------------------|--------------------------------|--------------------------------------|
| W (Kerf ") | W (Kerf mm) | PART# | 25-99 pcs. 100 Plus 20% | 100-499 pcs. BASE PRICE + 10% | 500-4999 pcs. BASE PRICE | 5000+ pcs. BASE PRICE less 10% |
| 0.095 | 2.41mm | WD 9095-233 | Please Call for Price | | | |
| 0.100 | 2.54 | WD 9100-233 | | | | |
| 0.110 | 2.79 | WD 9110-233 | | | | |
| 0.120 | 3.05 | WD 9120-233 | | | | |
| 0.125 | 3.18 | WD 9125-233 | | | | |
| 0.130 | 3.30 | WD 9130-233 | | | | |
| 0.140 | 3.56 | WD 9140-233 | | | | |
| 0.145 | 3.68 | WD 9145-233 | | | | |
| 0.150 | 3.81 | WD 9150-233 | | | | |
| 0.160 | 4.06 | WD 9160-233 | | | | |
| 0.165 | 4.19 | WD 9165-233 | | | | |
| 0.170 | 4.32 | WD 9170-233 | | | | |
| 0.180 | 4.57 | WD 9180-233 | | | | |
| 0.190 | 4.83 | WD 9190-233 | | | | |
| 0.200 | 5.08 | WD 9200-233 | | | | |
| 0.210 | 5.33 | WD 9210-233 | | | | |
| 0.220 | 5.59 | WD 9220-233 | | | | |
| 0.230 | 5.84 | WD 9230-233 | | | | |
| 0.240 | 6.10 | WD 9240-233 | | | | |
| 0.250 | 6.35 | WD 9250-233 | | | | |
| 0.260 | 6.60 | WD 9260-233 | | | | |
| 0.270 | 6.86 | WD 9270-233 | | | | |
| 0.280 | 7.11 | WD 9280-233 | | | | |
| 0.290 | 7.37 | WD 9290-233 | | | | |
| 0.300 | 7.62 | WD 9300-233 | | | | |
| 0.325 | 8.26 | WD 9325-233 | | | | |
| 0.350 | 8.89 | WD 9350-233 | | | | |
| 0.375 | 9.53 | WD 9375-233 | | | | |
| 0.400 | 10.16 | WD 9400-233 | | | | |
| 0.425 | 10.80 | WD 9425-233 | | | | |
| 0.500 | 12.70 | WD 9500-233 | | | | |
| 0.525 | 13.34 | WD 9525-233 | | | | |
| 0.550 | 13.97 | WD 9550-233 | | | | |
| 0.575 | 14.61 | WD 9575-233 | | | | |
| 0.600 | 15.24 | WD 9600-233 | | | | |
| 0.625 | 15.88 | WD 9625-233 | | | | |

"Safety pays the highest dividends.™"

WD7xxx-236 METAL MUNCHER™ NON-FERROUS CUTTING

| L = 0.312" [7.92mm] T = 0.093" [2.36mm] TOP RELIEF 30° | | | | | | |
|--|-------------|-------------|----------------------------|-------------------------------------|--------------------------------|--------------------------------------|
| W (Kerf ") | W (Kerf mm) | PART# | 25-99 pcs. 100 Plus 20% | 100-499 pcs. BASE PRICE + 10% | 500-4999 pcs. BASE PRICE | 5000+ pcs. BASE PRICE less 10% |
| 0.095 | 2.41mm | WD 7095-236 | Please Call for Price | | | |
| 0.100 | 2.54 | WD 7100-236 | | | | |
| 0.110 | 2.79 | WD 7110-236 | | | | |
| 0.120 | 3.05 | WD 7120-236 | | | | |
| 0.125 | 3.18 | WD 7125-236 | | | | |
| 0.130 | 3.30 | WD 7130-236 | | | | |
| 0.140 | 3.56 | WD 7140-236 | | | | |
| 0.145 | 3.68 | WD 7145-236 | | | | |
| 0.150 | 3.81 | WD 7150-236 | | | | |
| 0.160 | 4.06 | WD 7160-236 | | | | |
| 0.165 | 4.19 | WD 7165-236 | | | | |
| 0.170 | 4.32 | WD 7170-236 | | | | |
| 0.180 | 4.57 | WD 7180-236 | | | | |
| 0.190 | 4.83 | WD 7190-236 | | | | |
| 0.200 | 5.08 | WD 7200-236 | | | | |
| 0.210 | 5.33 | WD 7210-236 | | | | |
| 0.220 | 5.59 | WD 7220-236 | | | | |
| 0.230 | 5.84 | WD 7230-236 | | | | |
| 0.240 | 6.10 | WD 7240-236 | | | | |
| 0.250 | 6.35 | WD 7250-236 | | | | |
| 0.260 | 6.60 | WD 7260-236 | | | | |
| 0.270 | 6.86 | WD 7270-236 | | | | |
| 0.280 | 7.11 | WD 7280-236 | | | | |
| 0.290 | 7.37 | WD 7290-236 | | | | |
| 0.300 | 7.62 | WD 7300-236 | | | | |
| 0.325 | 8.26 | WD 7325-236 | | | | |
| 0.350 | 8.89 | WD 7350-236 | | | | |
| 0.375 | 9.53 | WD 7375-236 | | | | |
| 0.400 | 10.16 | WD 7400-236 | | | | |
| 0.425 | 10.80 | WD 7425-236 | | | | |
| 0.500 | 12.70 | WD 7500-236 | | | | |
| 0.525 | 13.34 | WD 7525-236 | | | | |
| 0.550 | 13.97 | WD 7550-236 | | | | |
| 0.575 | 14.61 | WD 7575-236 | | | | |
| 0.600 | 15.24 | WD 7600-236 | | | | |
| 0.625 | 15.88 | WD 7625-236 | | | | |

"Safety pays the highest dividends.™"

WD7xxx-239 METAL MUNCHER™ FERROUS CUTTING

| L = 0.312" [7.92mm] T = 0.093" [2.36mm] TOP RELIEF 30° | | | | | | |
|--|-------------|-------------|----------------------------|-------------------------------------|--------------------------------|--------------------------------------|
| W (Kerf ") | W (Kerf mm) | PART# | 25-99 pcs. 100 Plus 20% | 100-499 pcs. BASE PRICE + 10% | 500-4999 pcs. BASE PRICE | 5000+ pcs. BASE PRICE less 10% |
| 0.095 | 2.41mm | WD 7095-239 | Please Call for Price | | | |
| 0.100 | 2.54 | WD 7100-239 | | | | |
| 0.110 | 2.79 | WD 7110-239 | | | | |
| 0.120 | 3.05 | WD 7120-239 | | | | |
| 0.125 | 3.18 | WD 7125-239 | | | | |
| 0.130 | 3.30 | WD 7130-239 | | | | |
| 0.140 | 3.56 | WD 7140-239 | | | | |
| 0.145 | 3.68 | WD 7145-239 | | | | |
| 0.150 | 3.81 | WD 7150-239 | | | | |
| 0.160 | 4.06 | WD 7160-239 | | | | |
| 0.165 | 4.19 | WD 7165-239 | | | | |
| 0.170 | 4.32 | WD 7170-239 | | | | |
| 0.180 | 4.57 | WD 7180-239 | | | | |
| 0.190 | 4.83 | WD 7190-239 | | | | |
| 0.200 | 5.08 | WD 7200-239 | | | | |
| 0.210 | 5.33 | WD 7210-239 | | | | |
| 0.220 | 5.59 | WD 7220-239 | | | | |
| 0.230 | 5.84 | WD 7230-239 | | | | |
| 0.240 | 6.10 | WD 7240-239 | | | | |
| 0.250 | 6.35 | WD 7250-239 | | | | |
| 0.260 | 6.60 | WD 7260-239 | | | | |
| 0.270 | 6.86 | WD 7270-239 | | | | |
| 0.280 | 7.11 | WD 7280-239 | | | | |
| 0.290 | 7.37 | WD 7290-239 | | | | |
| 0.300 | 7.62 | WD 7300-239 | | | | |
| 0.325 | 8.26 | WD 7325-239 | | | | |
| 0.350 | 8.89 | WD 7350-239 | | | | |
| 0.375 | 9.53 | WD 7375-239 | | | | |
| 0.400 | 10.16 | WD 7400-239 | | | | |
| 0.425 | 10.80 | WD 7425-239 | | | | |
| 0.500 | 12.70 | WD 7500-239 | | | | |
| 0.525 | 13.34 | WD 7525-239 | | | | |
| 0.550 | 13.97 | WD 7550-239 | | | | |
| 0.575 | 14.61 | WD 7575-239 | | | | |
| 0.600 | 15.24 | WD 7600-239 | | | | |
| 0.625 | 15.88 | WD 7625-239 | | | | |

"Safety pays the highest dividends.™"

WD7xxx-248 XL KNOT MASTER™ EXTENDED LIFE CARBIDE

| L = 0.312" [7.92mm] T = 0.093" [2.36mm] TOP RELIEF 30° | | | | | | |
|--|-------------|----------------|----------------------------|-------------------------------------|--------------------------------|--------------------------------------|
| W (Kerf ") | W (Kerf mm) | PART# | 25-99 pcs. 100 Plus 20% | 100-499 pcs. BASE PRICE + 10% | 500-4999 pcs. BASE PRICE | 5000+ pcs. BASE PRICE less 10% |
| 0.095 | 2.41mm | WD 7095-248-XL | Please Call for Price | | | |
| 0.100 | 2.54 | WD 7100-248-XL | | | | |
| 0.110 | 2.79 | WD 7110-248-XL | | | | |
| 0.120 | 3.05 | WD 7120-248-XL | | | | |
| 0.125 | 3.18 | WD 7125-248-XL | | | | |
| 0.130 | 3.30 | WD 7130-248-XL | | | | |
| 0.140 | 3.56 | WD 7140-248-XL | | | | |
| 0.145 | 3.68 | WD 7145-248-XL | | | | |
| 0.150 | 3.81 | WD 7150-248-XL | | | | |
| 0.160 | 4.06 | WD 7160-248-XL | | | | |
| 0.165 | 4.19 | WD 7165-248-XL | | | | |
| 0.170 | 4.32 | WD 7170-248-XL | | | | |
| 0.180 | 4.57 | WD 7180-248-XL | | | | |
| 0.190 | 4.83 | WD 7190-248-XL | | | | |
| 0.200 | 5.08 | WD 7200-248-XL | | | | |
| 0.210 | 5.33 | WD 7210-248-XL | | | | |
| 0.220 | 5.59 | WD 7220-248-XL | | | | |
| 0.230 | 5.84 | WD 7230-248-XL | | | | |
| 0.240 | 6.10 | WD 7240-248-XL | | | | |
| 0.250 | 6.35 | WD 7250-248-XL | | | | |
| 0.260 | 6.60 | WD 7260-248-XL | | | | |
| 0.270 | 6.86 | WD 7270-248-XL | | | | |
| 0.280 | 7.11 | WD 7280-248-XL | | | | |
| 0.290 | 7.37 | WD 7290-248-XL | | | | |
| 0.300 | 7.62 | WD 7300-248-XL | | | | |
| 0.325 | 8.26 | WD 7325-248-XL | | | | |
| 0.350 | 8.89 | WD 7350-248-XL | | | | |
| 0.375 | 9.53 | WD 7375-248-XL | | | | |
| 0.400 | 10.16 | WD 7400-248-XL | | | | |
| 0.425 | 10.80 | WD 7425-248-XL | | | | |
| 0.500 | 12.70 | WD 7500-248-XL | | | | |
| 0.525 | 13.34 | WD 7525-248-XL | | | | |
| 0.550 | 13.97 | WD 7550-248-XL | | | | |
| 0.575 | 14.61 | WD 7575-248-XL | | | | |
| 0.600 | 15.24 | WD 7600-248-XL | | | | |
| 0.625 | 15.88 | WD 7625-248-XL | | | | |

"Safety pays the highest dividends.™"

WD7xxx-249 KNOT MASTER™ CARBIDE SAW TIPS

| L = 0.312" [7.92mm] T = 0.093" [2.36mm] TOP RELIEF 30° | | | | | | |
|--|-------------|-------------|----------------------------|-------------------------------------|--------------------------------|--------------------------------------|
| W (Kerf ") | W (Kerf mm) | PART# | 25-99 pcs. 100 Plus 20% | 100-499 pcs. BASE PRICE + 10% | 500-4999 pcs. BASE PRICE | 5000+ pcs. BASE PRICE less 10% |
| 0.095 | 2.41mm | WD 7095-249 | Please Call for Price | | | |
| 0.100 | 2.54 | WD 7100-249 | | | | |
| 0.110 | 2.79 | WD 7110-249 | | | | |
| 0.120 | 3.05 | WD 7120-249 | | | | |
| 0.125 | 3.18 | WD 7125-249 | | | | |
| 0.130 | 3.30 | WD 7130-249 | | | | |
| 0.140 | 3.56 | WD 7140-249 | | | | |
| 0.145 | 3.68 | WD 7145-249 | | | | |
| 0.150 | 3.81 | WD 7150-249 | | | | |
| 0.160 | 4.06 | WD 7160-249 | | | | |
| 0.165 | 4.19 | WD 7165-249 | | | | |
| 0.170 | 4.32 | WD 7170-249 | | | | |
| 0.180 | 4.57 | WD 7180-249 | | | | |
| 0.190 | 4.83 | WD 7190-249 | | | | |
| 0.200 | 5.08 | WD 7200-249 | | | | |
| 0.210 | 5.33 | WD 7210-249 | | | | |
| 0.220 | 5.59 | WD 7220-249 | | | | |
| 0.230 | 5.84 | WD 7230-249 | | | | |
| 0.240 | 6.10 | WD 7240-249 | | | | |
| 0.250 | 6.35 | WD 7250-249 | | | | |
| 0.260 | 6.60 | WD 7260-249 | | | | |
| 0.270 | 6.86 | WD 7270-249 | | | | |
| 0.280 | 7.11 | WD 7280-249 | | | | |
| 0.290 | 7.37 | WD 7290-249 | | | | |
| 0.300 | 7.62 | WD 7300-249 | | | | |
| 0.325 | 8.26 | WD 7325-249 | | | | |
| 0.350 | 8.89 | WD 7350-249 | | | | |
| 0.375 | 9.53 | WD 7375-249 | | | | |
| 0.400 | 10.16 | WD 7400-249 | | | | |
| 0.425 | 10.80 | WD 7425-249 | | | | |
| 0.500 | 12.70 | WD 7500-249 | | | | |
| 0.525 | 13.34 | WD 7525-249 | | | | |
| 0.550 | 13.97 | WD 7550-249 | | | | |
| 0.575 | 14.61 | WD 7575-249 | | | | |
| 0.600 | 15.24 | WD 7600-249 | | | | |
| 0.625 | 15.88 | WD 7625-249 | | | | |

"Safety pays the highest dividends.™"

5000 Main Street • P.O. Box 216
Drakes Branch, VA 23937-0216 USA

FAX 434-568-3421

Phone 434-568-3311
Toll Free 800-424-3311

WDT7xxx-233 NI-MATRIX II™ NAIL CUTTING CARBIDE

| L = 0.312" [7.92mm] T = 0.125" [3.18mm] TOP RELIEF 30° | | | | | | |
|--|-------------|--------------|----------------------------|-------------------------------------|--------------------------------|--------------------------------------|
| W (Kerf ") | W (Kerf mm) | PART# | 25-99 pcs. 100 Plus 20% | 100-499 pcs. BASE PRICE + 10% | 500-4999 pcs. BASE PRICE | 5000+ pcs. BASE PRICE less 10% |
| 0.095 | 2.41mm | WDT 7095-233 | Please Call for Price | | | |
| 0.100 | 2.54 | WDT 7100-233 | | | | |
| 0.110 | 2.79 | WDT 7110-233 | | | | |
| 0.120 | 3.05 | WDT 7120-233 | | | | |
| 0.125 | 3.18 | WDT 7125-233 | | | | |
| 0.130 | 3.30 | WDT 7130-233 | | | | |
| 0.140 | 3.56 | WDT 7140-233 | | | | |
| 0.145 | 3.68 | WDT 7145-233 | | | | |
| 0.150 | 3.81 | WDT 7150-233 | | | | |
| 0.160 | 4.06 | WDT 7160-233 | | | | |
| 0.165 | 4.19 | WDT 7165-233 | | | | |
| 0.170 | 4.32 | WDT 7170-233 | | | | |
| 0.180 | 4.57 | WDT 7180-233 | | | | |
| 0.190 | 4.83 | WDT 7190-233 | | | | |
| 0.200 | 5.08 | WDT 7200-233 | | | | |
| 0.210 | 5.33 | WDT 7210-233 | | | | |
| 0.220 | 5.59 | WDT 7220-233 | | | | |
| 0.230 | 5.84 | WDT 7230-233 | | | | |
| 0.240 | 6.10 | WDT 7240-233 | | | | |
| 0.250 | 6.35 | WDT 7250-233 | | | | |
| 0.260 | 6.60 | WDT 7260-233 | | | | |
| 0.270 | 6.86 | WDT 7270-233 | | | | |
| 0.280 | 7.11 | WDT 7280-233 | | | | |
| 0.290 | 7.37 | WDT 7290-233 | | | | |
| 0.300 | 7.62 | WDT 7300-233 | | | | |
| 0.325 | 8.26 | WDT 7325-233 | | | | |
| 0.350 | 8.89 | WDT 7350-233 | | | | |
| 0.375 | 9.53 | WDT 7375-233 | | | | |
| 0.400 | 10.16 | WDT 7400-233 | | | | |
| 0.425 | 10.80 | WDT 7425-233 | | | | |
| 0.500 | 12.70 | WDT 7500-233 | | | | |
| 0.525 | 13.34 | WDT 7525-233 | | | | |
| 0.550 | 13.97 | WDT 7550-233 | | | | |
| 0.575 | 14.61 | WDT 7575-233 | | | | |
| 0.600 | 15.24 | WDT 7600-233 | | | | |
| 0.625 | 15.88 | WDT 7625-233 | | | | |

"Safety pays the highest dividends.™"

5000 Main Street • P.O. Box 216
Drakes Branch, VA 23937-0216 USA

FAX 434-568-3421

Phone 434-568-3311
Toll Free 800-424-3311

WDT9xxx-233 NI-MATRIX II™ NAIL CUTTING CARBIDE

| L = 0.312" [7.92mm] T = 0.125" [3.18mm] TOP RELIEF 30° | | | | | | |
|--|-------------|--------------|----------------------------|-------------------------------------|--------------------------------|--------------------------------------|
| W (Kerf ") | W (Kerf mm) | PART# | 25-99 pcs. 100 Plus 20% | 100-499 pcs. BASE PRICE + 10% | 500-4999 pcs. BASE PRICE | 5000+ pcs. BASE PRICE less 10% |
| 0.095 | 2.41mm | WDT 9095-233 | Please Call for Price | | | |
| 0.100 | 2.54 | WDT 9100-233 | | | | |
| 0.110 | 2.79 | WDT 9110-233 | | | | |
| 0.120 | 3.05 | WDT 9120-233 | | | | |
| 0.125 | 3.18 | WDT 9125-233 | | | | |
| 0.130 | 3.30 | WDT 9130-233 | | | | |
| 0.140 | 3.56 | WDT 9140-233 | | | | |
| 0.145 | 3.68 | WDT 9145-233 | | | | |
| 0.150 | 3.81 | WDT 9150-233 | | | | |
| 0.160 | 4.06 | WDT 9160-233 | | | | |
| 0.165 | 4.19 | WDT 9165-233 | | | | |
| 0.170 | 4.32 | WDT 9170-233 | | | | |
| 0.180 | 4.57 | WDT 9180-233 | | | | |
| 0.190 | 4.83 | WDT 9190-233 | | | | |
| 0.200 | 5.08 | WDT 9200-233 | | | | |
| 0.210 | 5.33 | WDT 9210-233 | | | | |
| 0.220 | 5.59 | WDT 9220-233 | | | | |
| 0.230 | 5.84 | WDT 9230-233 | | | | |
| 0.240 | 6.10 | WDT 9240-233 | | | | |
| 0.250 | 6.35 | WDT 9250-233 | | | | |
| 0.260 | 6.60 | WDT 9260-233 | | | | |
| 0.270 | 6.86 | WDT 9270-233 | | | | |
| 0.280 | 7.11 | WDT 9280-233 | | | | |
| 0.290 | 7.37 | WDT 9290-233 | | | | |
| 0.300 | 7.62 | WDT 9300-233 | | | | |
| 0.325 | 8.26 | WDT 9325-233 | | | | |
| 0.350 | 8.89 | WDT 9350-233 | | | | |
| 0.375 | 9.53 | WDT 9375-233 | | | | |
| 0.400 | 10.16 | WDT 9400-233 | | | | |
| 0.425 | 10.80 | WDT 9425-233 | | | | |
| 0.500 | 12.70 | WDT 9500-233 | | | | |
| 0.525 | 13.34 | WDT 9525-233 | | | | |
| 0.550 | 13.97 | WDT 9550-233 | | | | |
| 0.575 | 14.61 | WDT 9575-233 | | | | |
| 0.600 | 15.24 | WDT 9600-233 | | | | |
| 0.625 | 15.88 | WDT 9625-233 | | | | |

"Safety pays the highest dividends.™"

5000 Main Street • P.O. Box 216
Drakes Branch, VA 23937-0216 USA

FAX 434-568-3421

Phone 434-568-3311
Toll Free 800-424-3311

WDT7xxx-236 METAL MUNCHER™ NON-FERROUS CUTTING

| L = 0.312" [7.92mm] T = 0.093" [2.36mm] TOP RELIEF 30° | | | | | | |
|--|-------------|--------------|----------------------------|-------------------------------------|--------------------------------|--------------------------------------|
| W (Kerf ") | W (Kerf mm) | PART# | 25-99 pcs. 100 Plus 20% | 100-499 pcs. BASE PRICE + 10% | 500-4999 pcs. BASE PRICE | 5000+ pcs. BASE PRICE less 10% |
| 0.095 | 2.41mm | WDT 7095-236 | Please Call for Price | | | |
| 0.100 | 2.54 | WDT 7100-236 | | | | |
| 0.110 | 2.79 | WDT 7110-236 | | | | |
| 0.120 | 3.05 | WDT 7120-236 | | | | |
| 0.125 | 3.18 | WDT 7125-236 | | | | |
| 0.130 | 3.30 | WDT 7130-236 | | | | |
| 0.140 | 3.56 | WDT 7140-236 | | | | |
| 0.145 | 3.68 | WDT 7145-236 | | | | |
| 0.150 | 3.81 | WDT 7150-236 | | | | |
| 0.160 | 4.06 | WDT 7160-236 | | | | |
| 0.165 | 4.19 | WDT 7165-236 | | | | |
| 0.170 | 4.32 | WDT 7170-236 | | | | |
| 0.180 | 4.57 | WDT 7180-236 | | | | |
| 0.190 | 4.83 | WDT 7190-236 | | | | |
| 0.200 | 5.08 | WDT 7200-236 | | | | |
| 0.210 | 5.33 | WDT 7210-236 | | | | |
| 0.220 | 5.59 | WDT 7220-236 | | | | |
| 0.230 | 5.84 | WDT 7230-236 | | | | |
| 0.240 | 6.10 | WDT 7240-236 | | | | |
| 0.250 | 6.35 | WDT 7250-236 | | | | |
| 0.260 | 6.60 | WDT 7260-236 | | | | |
| 0.270 | 6.86 | WDT 7270-236 | | | | |
| 0.280 | 7.11 | WDT 7280-236 | | | | |
| 0.290 | 7.37 | WDT 7290-236 | | | | |
| 0.300 | 7.62 | WDT 7300-236 | | | | |
| 0.325 | 8.26 | WDT 7325-236 | | | | |
| 0.350 | 8.89 | WDT 7350-236 | | | | |
| 0.375 | 9.53 | WDT 7375-236 | | | | |
| 0.400 | 10.16 | WDT 7400-236 | | | | |
| 0.425 | 10.80 | WDT 7425-236 | | | | |
| 0.500 | 12.70 | WDT 7500-236 | | | | |
| 0.525 | 13.34 | WDT 7525-236 | | | | |
| 0.550 | 13.97 | WDT 7550-236 | | | | |
| 0.575 | 14.61 | WDT 7575-236 | | | | |
| 0.600 | 15.24 | WDT 7600-236 | | | | |
| 0.625 | 15.88 | WDT 7625-236 | | | | |

"Safety pays the highest dividends.™"

5000 Main Street • P.O. Box 216
Drakes Branch, VA 23937-0216 USA

FAX 434-568-3421

Phone 434-568-3311
Toll Free 800-424-3311

WDT7xxx-239 METAL MUNCHER™ FERROUS CUTTING

| L = 0.312" [7.92mm] T = 0.125" [3.18mm] TOP RELIEF 30° | | | | | | |
|--|-------------|--------------|----------------------------|-------------------------------------|--------------------------------|--------------------------------------|
| W (Kerf ") | W (Kerf mm) | PART# | 25-99 pcs. 100 Plus 20% | 100-499 pcs. BASE PRICE + 10% | 500-4999 pcs. BASE PRICE | 5000+ pcs. BASE PRICE less 10% |
| 0.095 | 2.41mm | WDT 7095-239 | Please Call for Price | | | |
| 0.100 | 2.54 | WDT 7100-239 | | | | |
| 0.110 | 2.79 | WDT 7110-239 | | | | |
| 0.120 | 3.05 | WDT 7120-239 | | | | |
| 0.125 | 3.18 | WDT 7125-239 | | | | |
| 0.130 | 3.30 | WDT 7130-239 | | | | |
| 0.140 | 3.56 | WDT 7140-239 | | | | |
| 0.145 | 3.68 | WDT 7145-239 | | | | |
| 0.150 | 3.81 | WDT 7150-239 | | | | |
| 0.160 | 4.06 | WDT 7160-239 | | | | |
| 0.165 | 4.19 | WDT 7165-239 | | | | |
| 0.170 | 4.32 | WDT 7170-239 | | | | |
| 0.180 | 4.57 | WDT 7180-239 | | | | |
| 0.190 | 4.83 | WDT 7190-239 | | | | |
| 0.200 | 5.08 | WDT 7200-239 | | | | |
| 0.210 | 5.33 | WDT 7210-239 | | | | |
| 0.220 | 5.59 | WDT 7220-239 | | | | |
| 0.230 | 5.84 | WDT 7230-239 | | | | |
| 0.240 | 6.10 | WDT 7240-239 | | | | |
| 0.250 | 6.35 | WDT 7250-239 | | | | |
| 0.260 | 6.60 | WDT 7260-239 | | | | |
| 0.270 | 6.86 | WDT 7270-239 | | | | |
| 0.280 | 7.11 | WDT 7280-239 | | | | |
| 0.290 | 7.37 | WDT 7290-239 | | | | |
| 0.300 | 7.62 | WDT 7300-239 | | | | |
| 0.325 | 8.26 | WDT 7325-239 | | | | |
| 0.350 | 8.89 | WDT 7350-239 | | | | |
| 0.375 | 9.53 | WDT 7375-239 | | | | |
| 0.400 | 10.16 | WDT 7400-239 | | | | |
| 0.425 | 10.80 | WDT 7425-239 | | | | |
| 0.500 | 12.70 | WDT 7500-239 | | | | |
| 0.525 | 13.34 | WDT 7525-239 | | | | |
| 0.550 | 13.97 | WDT 7550-239 | | | | |
| 0.575 | 14.61 | WDT 7575-239 | | | | |
| 0.600 | 15.24 | WDT 7600-239 | | | | |
| 0.625 | 15.88 | WDT 7625-239 | | | | |

"Safety pays the highest dividends.™"

WDT7xxx-248 XL KNOT MASTER™ EXTENDED LIFE CARBIDE

| L = 0.312" [7.92mm] T = 0.125" [3.18mm] TOP RELIEF 30° | | | | | | |
|--|-------------|-----------------|----------------------------|-------------------------------------|--------------------------------|--------------------------------------|
| W (Kerf ") | W (Kerf mm) | PART# | 25-99 pcs. 100 Plus 20% | 100-499 pcs. BASE PRICE + 10% | 500-4999 pcs. BASE PRICE | 5000+ pcs. BASE PRICE less 10% |
| 0.095 | 2.41mm | WDT 7095-248-XL | Please Call for Price | | | |
| 0.100 | 2.54 | WDT 7100-248-XL | | | | |
| 0.110 | 2.79 | WDT 7110-248-XL | | | | |
| 0.120 | 3.05 | WDT 7120-248-XL | | | | |
| 0.125 | 3.18 | WDT 7125-248-XL | | | | |
| 0.130 | 3.30 | WDT 7130-248-XL | | | | |
| 0.140 | 3.56 | WDT 7140-248-XL | | | | |
| 0.145 | 3.68 | WDT 7145-248-XL | | | | |
| 0.150 | 3.81 | WDT 7150-248-XL | | | | |
| 0.160 | 4.06 | WDT 7160-248-XL | | | | |
| 0.165 | 4.19 | WDT 7165-248-XL | | | | |
| 0.170 | 4.32 | WDT 7170-248-XL | | | | |
| 0.180 | 4.57 | WDT 7180-248-XL | | | | |
| 0.190 | 4.83 | WDT 7190-248-XL | | | | |
| 0.200 | 5.08 | WDT 7200-248-XL | | | | |
| 0.210 | 5.33 | WDT 7210-248-XL | | | | |
| 0.220 | 5.59 | WDT 7220-248-XL | | | | |
| 0.230 | 5.84 | WDT 7230-248-XL | | | | |
| 0.240 | 6.10 | WDT 7240-248-XL | | | | |
| 0.250 | 6.35 | WDT 7250-248-XL | | | | |
| 0.260 | 6.60 | WDT 7260-248-XL | | | | |
| 0.270 | 6.86 | WDT 7270-248-XL | | | | |
| 0.280 | 7.11 | WDT 7280-248-XL | | | | |
| 0.290 | 7.37 | WDT 7290-248-XL | | | | |
| 0.300 | 7.62 | WDT 7300-248-XL | | | | |
| 0.325 | 8.26 | WDT 7325-248-XL | | | | |
| 0.350 | 8.89 | WDT 7350-248-XL | | | | |
| 0.375 | 9.53 | WDT 7375-248-XL | | | | |
| 0.400 | 10.16 | WDT 7400-248-XL | | | | |
| 0.425 | 10.80 | WDT 7425-248-XL | | | | |
| 0.500 | 12.70 | WDT 7500-248-XL | | | | |
| 0.525 | 13.34 | WDT 7525-248-XL | | | | |
| 0.550 | 13.97 | WDT 7550-248-XL | | | | |
| 0.575 | 14.61 | WDT 7575-248-XL | | | | |
| 0.600 | 15.24 | WDT 7600-248-XL | | | | |
| 0.625 | 15.88 | WDT 7625-248-XL | | | | |

"Safety pays the highest dividends.™"

WDT7xxx-249 KNOT MASTER™ CARBIDE SAW TIPS

| L = 0.312" [7.92mm] T = 0.125" [3.18mm] TOP RELIEF 30° | | | | | | |
|--|-------------|--------------|----------------------------|-------------------------------------|--------------------------------|--------------------------------------|
| W (Kerf ") | W (Kerf mm) | PART# | 25-99 pcs. 100 Plus 20% | 100-499 pcs. BASE PRICE + 10% | 500-4999 pcs. BASE PRICE | 5000+ pcs. BASE PRICE less 10% |
| 0.095 | 2.41mm | WDT 7095-249 | Please Call for Price | | | |
| 0.100 | 2.54 | WDT 7100-249 | | | | |
| 0.110 | 2.79 | WDT 7110-249 | | | | |
| 0.120 | 3.05 | WDT 7120-249 | | | | |
| 0.125 | 3.18 | WDT 7125-249 | | | | |
| 0.130 | 3.30 | WDT 7130-249 | | | | |
| 0.140 | 3.56 | WDT 7140-249 | | | | |
| 0.145 | 3.68 | WDT 7145-249 | | | | |
| 0.150 | 3.81 | WDT 7150-249 | | | | |
| 0.160 | 4.06 | WDT 7160-249 | | | | |
| 0.165 | 4.19 | WDT 7165-249 | | | | |
| 0.170 | 4.32 | WDT 7170-249 | | | | |
| 0.180 | 4.57 | WDT 7180-249 | | | | |
| 0.190 | 4.83 | WDT 7190-249 | | | | |
| 0.200 | 5.08 | WDT 7200-249 | | | | |
| 0.210 | 5.33 | WDT 7210-249 | | | | |
| 0.220 | 5.59 | WDT 7220-249 | | | | |
| 0.230 | 5.84 | WDT 7230-249 | | | | |
| 0.240 | 6.10 | WDT 7240-249 | | | | |
| 0.250 | 6.35 | WDT 7250-249 | | | | |
| 0.260 | 6.60 | WDT 7260-249 | | | | |
| 0.270 | 6.86 | WDT 7270-249 | | | | |
| 0.280 | 7.11 | WDT 7280-249 | | | | |
| 0.290 | 7.37 | WDT 7290-249 | | | | |
| 0.300 | 7.62 | WDT 7300-249 | | | | |
| 0.325 | 8.26 | WDT 7325-249 | | | | |
| 0.350 | 8.89 | WDT 7350-249 | | | | |
| 0.375 | 9.53 | WDT 7375-249 | | | | |
| 0.400 | 10.16 | WDT 7400-249 | | | | |
| 0.425 | 10.80 | WDT 7425-249 | | | | |
| 0.500 | 12.70 | WDT 7500-249 | | | | |
| 0.525 | 13.34 | WDT 7525-249 | | | | |
| 0.550 | 13.97 | WDT 7550-249 | | | | |
| 0.575 | 14.61 | WDT 7575-249 | | | | |
| 0.600 | 15.24 | WDT 7600-249 | | | | |
| 0.625 | 15.88 | WDT 7625-249 | | | | |

"Safety pays the highest dividends.™"

5000 Main Street • P.O. Box 216
Drakes Branch, VA 23937-0216 USA

FAX 434-568-3421

Phone 434-568-3311
Toll Free 800-424-3311

WE7xxx-233 NI-MATRIX II™ NAIL CUTTING CARBIDE

| L = 0.375" [9.53mm] T = 0.093" [2.36mm] TOP RELIEF 30° | | | | | | |
|--|-------------|-------------|----------------------------|-------------------------------------|--------------------------------|--------------------------------------|
| W (Kerf ") | W (Kerf mm) | PART# | 25-99 pcs. 100 Plus 20% | 100-499 pcs. BASE PRICE + 10% | 500-4999 pcs. BASE PRICE | 5000+ pcs. BASE PRICE less 10% |
| 0.095 | 2.41mm | WE 7095-233 | Please Call for Price | | | |
| 0.100 | 2.54 | WE 7100-233 | | | | |
| 0.110 | 2.79 | WE 7110-233 | | | | |
| 0.120 | 3.05 | WE 7120-233 | | | | |
| 0.125 | 3.18 | WE 7125-233 | | | | |
| 0.130 | 3.30 | WE 7130-233 | | | | |
| 0.140 | 3.56 | WE 7140-233 | | | | |
| 0.145 | 3.68 | WE 7145-233 | | | | |
| 0.150 | 3.81 | WE 7150-233 | | | | |
| 0.160 | 4.06 | WE 7160-233 | | | | |
| 0.165 | 4.19 | WE 7165-233 | | | | |
| 0.170 | 4.32 | WE 7170-233 | | | | |
| 0.180 | 4.57 | WE 7180-233 | | | | |
| 0.190 | 4.83 | WE 7190-233 | | | | |
| 0.200 | 5.08 | WE 7200-233 | | | | |
| 0.210 | 5.33 | WE 7210-233 | | | | |
| 0.220 | 5.59 | WE 7220-233 | | | | |
| 0.230 | 5.84 | WE 7230-233 | | | | |
| 0.240 | 6.10 | WE 7240-233 | | | | |
| 0.250 | 6.35 | WE 7250-233 | | | | |
| 0.260 | 6.60 | WE 7260-233 | | | | |
| 0.270 | 6.86 | WE 7270-233 | | | | |
| 0.280 | 7.11 | WE 7280-233 | | | | |
| 0.290 | 7.37 | WE 7290-233 | | | | |
| 0.300 | 7.62 | WE 7300-233 | | | | |
| 0.325 | 8.26 | WE 7325-233 | | | | |
| 0.350 | 8.89 | WE 7350-233 | | | | |
| 0.375 | 9.53 | WE 7375-233 | | | | |
| 0.400 | 10.16 | WE 7400-233 | | | | |
| 0.425 | 10.80 | WE 7425-233 | | | | |
| 0.500 | 12.70 | WE 7500-233 | | | | |
| 0.525 | 13.34 | WE 7525-233 | | | | |
| 0.550 | 13.97 | WE 7550-233 | | | | |
| 0.575 | 14.61 | WE 7575-233 | | | | |
| 0.600 | 15.24 | WE 7600-233 | | | | |
| 0.625 | 15.88 | WE 7625-233 | | | | |

"Safety pays the highest dividends.™"

WE9xxx-233 NI-MATRIX II™ NAIL CUTTING CARBIDE

| L = 0.375" [9.53mm] T = 0.093" [2.36mm] TOP RELIEF 30° | | | | | | |
|--|-------------|-------------|----------------------------|-------------------------------------|--------------------------------|--------------------------------------|
| W (Kerf ") | W (Kerf mm) | PART# | 25-99 pcs. 100 Plus 20% | 100-499 pcs. BASE PRICE + 10% | 500-4999 pcs. BASE PRICE | 5000+ pcs. BASE PRICE less 10% |
| 0.095 | 2.41mm | WE 9095-233 | Please Call for Price | | | |
| 0.100 | 2.54 | WE 9100-233 | | | | |
| 0.110 | 2.79 | WE 9110-233 | | | | |
| 0.120 | 3.05 | WE 9120-233 | | | | |
| 0.125 | 3.18 | WE 9125-233 | | | | |
| 0.130 | 3.30 | WE 9130-233 | | | | |
| 0.140 | 3.56 | WE 9140-233 | | | | |
| 0.145 | 3.68 | WE 9145-233 | | | | |
| 0.150 | 3.81 | WE 9150-233 | | | | |
| 0.160 | 4.06 | WE 9160-233 | | | | |
| 0.165 | 4.19 | WE 9165-233 | | | | |
| 0.170 | 4.32 | WE 9170-233 | | | | |
| 0.180 | 4.57 | WE 9180-233 | | | | |
| 0.190 | 4.83 | WE 9190-233 | | | | |
| 0.200 | 5.08 | WE 9200-233 | | | | |
| 0.210 | 5.33 | WE 9210-233 | | | | |
| 0.220 | 5.59 | WE 9220-233 | | | | |
| 0.230 | 5.84 | WE 9230-233 | | | | |
| 0.240 | 6.10 | WE 9240-233 | | | | |
| 0.250 | 6.35 | WE 9250-233 | | | | |
| 0.260 | 6.60 | WE 9260-233 | | | | |
| 0.270 | 6.86 | WE 9270-233 | | | | |
| 0.280 | 7.11 | WE 9280-233 | | | | |
| 0.290 | 7.37 | WE 9290-233 | | | | |
| 0.300 | 7.62 | WE 9300-233 | | | | |
| 0.325 | 8.26 | WE 9325-233 | | | | |
| 0.350 | 8.89 | WE 9350-233 | | | | |
| 0.375 | 9.53 | WE 9375-233 | | | | |
| 0.400 | 10.16 | WE 9400-233 | | | | |
| 0.425 | 10.80 | WE 9425-233 | | | | |
| 0.500 | 12.70 | WE 9500-233 | | | | |
| 0.525 | 13.34 | WE 9525-233 | | | | |
| 0.550 | 13.97 | WE 9550-233 | | | | |
| 0.575 | 14.61 | WE 9575-233 | | | | |
| 0.600 | 15.24 | WE 9600-233 | | | | |
| 0.625 | 15.88 | WE 9625-233 | | | | |

"Safety pays the highest dividends.™"

WE7xxx-236 METAL MUNCHER™ NON-FERROUS CUTTING

| L = 0.375" [9.53mm] T = 0.093" [2.36mm] TOP RELIEF 30° | | | | | | |
|--|-------------|-------------|----------------------------|-------------------------------------|--------------------------------|--------------------------------------|
| W (Kerf ") | W (Kerf mm) | PART# | 25-99 pcs. 100 Plus 20% | 100-499 pcs. BASE PRICE + 10% | 500-4999 pcs. BASE PRICE | 5000+ pcs. BASE PRICE less 10% |
| 0.095 | 2.41mm | WE 7095-236 | Please Call for Price | | | |
| 0.100 | 2.54 | WE 7100-236 | | | | |
| 0.110 | 2.79 | WE 7110-236 | | | | |
| 0.120 | 3.05 | WE 7120-236 | | | | |
| 0.125 | 3.18 | WE 7125-236 | | | | |
| 0.130 | 3.30 | WE 7130-236 | | | | |
| 0.140 | 3.56 | WE 7140-236 | | | | |
| 0.145 | 3.68 | WE 7145-236 | | | | |
| 0.150 | 3.81 | WE 7150-236 | | | | |
| 0.160 | 4.06 | WE 7160-236 | | | | |
| 0.165 | 4.19 | WE 7165-236 | | | | |
| 0.170 | 4.32 | WE 7170-236 | | | | |
| 0.180 | 4.57 | WE 7180-236 | | | | |
| 0.190 | 4.83 | WE 7190-236 | | | | |
| 0.200 | 5.08 | WE 7200-236 | | | | |
| 0.210 | 5.33 | WE 7210-236 | | | | |
| 0.220 | 5.59 | WE 7220-236 | | | | |
| 0.230 | 5.84 | WE 7230-236 | | | | |
| 0.240 | 6.10 | WE 7240-236 | | | | |
| 0.250 | 6.35 | WE 7250-236 | | | | |
| 0.260 | 6.60 | WE 7260-236 | | | | |
| 0.270 | 6.86 | WE 7270-236 | | | | |
| 0.280 | 7.11 | WE 7280-236 | | | | |
| 0.290 | 7.37 | WE 7290-236 | | | | |
| 0.300 | 7.62 | WE 7300-236 | | | | |
| 0.325 | 8.26 | WE 7325-236 | | | | |
| 0.350 | 8.89 | WE 7350-236 | | | | |
| 0.375 | 9.53 | WE 7375-236 | | | | |
| 0.400 | 10.16 | WE 7400-236 | | | | |
| 0.425 | 10.80 | WE 7425-236 | | | | |
| 0.500 | 12.70 | WE 7500-236 | | | | |
| 0.525 | 13.34 | WE 7525-236 | | | | |
| 0.550 | 13.97 | WE 7550-236 | | | | |
| 0.575 | 14.61 | WE 7575-236 | | | | |
| 0.600 | 15.24 | WE 7600-236 | | | | |
| 0.625 | 15.88 | WE 7625-236 | | | | |

"Safety pays the highest dividends.™"

WE7xxx-239 METAL MUNCHER™ FERROUS CUTTING

| L = 0.375" [9.53mm] T = 0.093" [2.36mm] TOP RELIEF 30° | | | | | | |
|--|-------------|-------------|----------------------------|-------------------------------------|--------------------------------|--------------------------------------|
| W (Kerf ") | W (Kerf mm) | PART# | 25-99 pcs. 100 Plus 20% | 100-499 pcs. BASE PRICE + 10% | 500-4999 pcs. BASE PRICE | 5000+ pcs. BASE PRICE less 10% |
| 0.095 | 2.41mm | WE 7095-239 | Please Call for Price | | | |
| 0.100 | 2.54 | WE 7100-239 | | | | |
| 0.110 | 2.79 | WE 7110-239 | | | | |
| 0.120 | 3.05 | WE 7120-239 | | | | |
| 0.125 | 3.18 | WE 7125-239 | | | | |
| 0.130 | 3.30 | WE 7130-239 | | | | |
| 0.140 | 3.56 | WE 7140-239 | | | | |
| 0.145 | 3.68 | WE 7145-239 | | | | |
| 0.150 | 3.81 | WE 7150-239 | | | | |
| 0.160 | 4.06 | WE 7160-239 | | | | |
| 0.165 | 4.19 | WE 7165-239 | | | | |
| 0.170 | 4.32 | WE 7170-239 | | | | |
| 0.180 | 4.57 | WE 7180-239 | | | | |
| 0.190 | 4.83 | WE 7190-239 | | | | |
| 0.200 | 5.08 | WE 7200-239 | | | | |
| 0.210 | 5.33 | WE 7210-239 | | | | |
| 0.220 | 5.59 | WE 7220-239 | | | | |
| 0.230 | 5.84 | WE 7230-239 | | | | |
| 0.240 | 6.10 | WE 7240-239 | | | | |
| 0.250 | 6.35 | WE 7250-239 | | | | |
| 0.260 | 6.60 | WE 7260-239 | | | | |
| 0.270 | 6.86 | WE 7270-239 | | | | |
| 0.280 | 7.11 | WE 7280-239 | | | | |
| 0.290 | 7.37 | WE 7290-239 | | | | |
| 0.300 | 7.62 | WE 7300-239 | | | | |
| 0.325 | 8.26 | WE 7325-239 | | | | |
| 0.350 | 8.89 | WE 7350-239 | | | | |
| 0.375 | 9.53 | WE 7375-239 | | | | |
| 0.400 | 10.16 | WE 7400-239 | | | | |
| 0.425 | 10.80 | WE 7425-239 | | | | |
| 0.500 | 12.70 | WE 7500-239 | | | | |
| 0.525 | 13.34 | WE 7525-239 | | | | |
| 0.550 | 13.97 | WE 7550-239 | | | | |
| 0.575 | 14.61 | WE 7575-239 | | | | |
| 0.600 | 15.24 | WE 7600-239 | | | | |
| 0.625 | 15.88 | WE 7625-239 | | | | |

"Safety pays the highest dividends.™"

WE7xxx-248 XL KNOT MASTER™ EXTENDED LIFE CARBIDE

| L = 0.375" [9.53mm] T = 0.093" [2.36mm] TOP RELIEF 30° | | | | | | |
|--|-------------|----------------|----------------------------|-------------------------------------|--------------------------------|--------------------------------------|
| W (Kerf ") | W (Kerf mm) | PART# | 25-99 pcs. 100 Plus 20% | 100-499 pcs. BASE PRICE + 10% | 500-4999 pcs. BASE PRICE | 5000+ pcs. BASE PRICE less 10% |
| 0.095 | 2.41mm | WE 7095-248-XL | Please Call for Price | | | |
| 0.100 | 2.54 | WE 7100-248-XL | | | | |
| 0.110 | 2.79 | WE 7110-248-XL | | | | |
| 0.120 | 3.05 | WE 7120-248-XL | | | | |
| 0.125 | 3.18 | WE 7125-248-XL | | | | |
| 0.130 | 3.30 | WE 7130-248-XL | | | | |
| 0.140 | 3.56 | WE 7140-248-XL | | | | |
| 0.145 | 3.68 | WE 7145-248-XL | | | | |
| 0.150 | 3.81 | WE 7150-248-XL | | | | |
| 0.160 | 4.06 | WE 7160-248-XL | | | | |
| 0.165 | 4.19 | WE 7165-248-XL | | | | |
| 0.170 | 4.32 | WE 7170-248-XL | | | | |
| 0.180 | 4.57 | WE 7180-248-XL | | | | |
| 0.190 | 4.83 | WE 7190-248-XL | | | | |
| 0.200 | 5.08 | WE 7200-248-XL | | | | |
| 0.210 | 5.33 | WE 7210-248-XL | | | | |
| 0.220 | 5.59 | WE 7220-248-XL | | | | |
| 0.230 | 5.84 | WE 7230-248-XL | | | | |
| 0.240 | 6.10 | WE 7240-248-XL | | | | |
| 0.250 | 6.35 | WE 7250-248-XL | | | | |
| 0.260 | 6.60 | WE 7260-248-XL | | | | |
| 0.270 | 6.86 | WE 7270-248-XL | | | | |
| 0.280 | 7.11 | WE 7280-248-XL | | | | |
| 0.290 | 7.37 | WE 7290-248-XL | | | | |
| 0.300 | 7.62 | WE 7300-248-XL | | | | |
| 0.325 | 8.26 | WE 7325-248-XL | | | | |
| 0.350 | 8.89 | WE 7350-248-XL | | | | |
| 0.375 | 9.53 | WE 7375-248-XL | | | | |
| 0.400 | 10.16 | WE 7400-248-XL | | | | |
| 0.425 | 10.80 | WE 7425-248-XL | | | | |
| 0.500 | 12.70 | WE 7500-248-XL | | | | |
| 0.525 | 13.34 | WE 7525-248-XL | | | | |
| 0.550 | 13.97 | WE 7550-248-XL | | | | |
| 0.575 | 14.61 | WE 7575-248-XL | | | | |
| 0.600 | 15.24 | WE 7600-248-XL | | | | |
| 0.625 | 15.88 | WE 7625-248-XL | | | | |

"Safety pays the highest dividends.™"

WE7xxx-249 KNOT MASTER™ CARBIDE SAW TIPS

| L = 0.312" [7.92mm] T = 0.093" [2.36mm] TOP RELIEF 30° | | | | | | |
|--|-------------|-------------|----------------------------|-------------------------------------|--------------------------------|--------------------------------------|
| W (Kerf ") | W (Kerf mm) | PART# | 25-99 pcs. 100 Plus 20% | 100-499 pcs. BASE PRICE + 10% | 500-4999 pcs. BASE PRICE | 5000+ pcs. BASE PRICE less 10% |
| 0.095 | 2.41mm | WE 7095-249 | Please Call for Price | | | |
| 0.100 | 2.54 | WE 7100-249 | | | | |
| 0.110 | 2.79 | WE 7110-249 | | | | |
| 0.120 | 3.05 | WE 7120-249 | | | | |
| 0.125 | 3.18 | WE 7125-249 | | | | |
| 0.130 | 3.30 | WE 7130-249 | | | | |
| 0.140 | 3.56 | WE 7140-249 | | | | |
| 0.145 | 3.68 | WE 7145-249 | | | | |
| 0.150 | 3.81 | WE 7150-249 | | | | |
| 0.160 | 4.06 | WE 7160-249 | | | | |
| 0.165 | 4.19 | WE 7165-249 | | | | |
| 0.170 | 4.32 | WE 7170-249 | | | | |
| 0.180 | 4.57 | WE 7180-249 | | | | |
| 0.190 | 4.83 | WE 7190-249 | | | | |
| 0.200 | 5.08 | WE 7200-249 | | | | |
| 0.210 | 5.33 | WE 7210-249 | | | | |
| 0.220 | 5.59 | WE 7220-249 | | | | |
| 0.230 | 5.84 | WE 7230-249 | | | | |
| 0.240 | 6.10 | WE 7240-249 | | | | |
| 0.250 | 6.35 | WE 7250-249 | | | | |
| 0.260 | 6.60 | WE 7260-249 | | | | |
| 0.270 | 6.86 | WE 7270-249 | | | | |
| 0.280 | 7.11 | WE 7280-249 | | | | |
| 0.290 | 7.37 | WE 7290-249 | | | | |
| 0.300 | 7.62 | WE 7300-249 | | | | |
| 0.325 | 8.26 | WE 7325-249 | | | | |
| 0.350 | 8.89 | WE 7350-249 | | | | |
| 0.375 | 9.53 | WE 7375-249 | | | | |
| 0.400 | 10.16 | WE 7400-249 | | | | |
| 0.425 | 10.80 | WE 7425-249 | | | | |
| 0.500 | 12.70 | WE 7500-249 | | | | |
| 0.525 | 13.34 | WE 7525-249 | | | | |
| 0.550 | 13.97 | WE 7550-249 | | | | |
| 0.575 | 14.61 | WE 7575-249 | | | | |
| 0.600 | 15.24 | WE 7600-249 | | | | |
| 0.625 | 15.88 | WE 7625-249 | | | | |

"Safety pays the highest dividends.™"

WFL6xxx-233 NI-MATRIX II™ NAIL CUTTING CARBIDE

| L = 0.583" [14.8mm] T = 0.183" [4.65mm] TOP RELIEF 40° | | | | | | |
|--|-------------|--------------|----------------------------|------------------------------------|--------------------------------|--------------------------------------|
| W (Kerf ") | W (Kerf mm) | PART# | 25-99 pcs. 100 Plus 20% | 100-499 pcs. BASE PRICE +10% | 500-4999 pcs. BASE PRICE | 5000+ pcs. BASE PRICE less 10% |
| 0.095 | 2.41 | WFL 6095-233 | Please Call for Price | | | |
| 0.100 | 2.54 | WFL 6100-233 | | | | |
| 0.110 | 2.79 | WFL 6110-233 | | | | |
| 0.120 | 3.05 | WFL 6120-233 | | | | |
| 0.125 | 3.18 | WFL 6125-233 | | | | |
| 0.130 | 3.30 | WFL 6130-233 | | | | |
| 0.140 | 3.56 | WFL 6140-233 | | | | |
| 0.145 | 3.68 | WFL 6145-233 | | | | |
| 0.150 | 3.81 | WFL 6150-233 | | | | |
| 0.160 | 4.06 | WFL 6160-233 | | | | |
| 0.165 | 4.19 | WFL 6165-233 | | | | |
| 0.170 | 4.32 | WFL 6170-233 | | | | |
| 0.180 | 4.57 | WFL 6180-233 | | | | |
| 0.190 | 4.83 | WFL 6190-233 | | | | |
| 0.200 | 5.08 | WFL 6200-233 | | | | |
| 0.210 | 5.33 | WFL 6210-233 | | | | |
| 0.220 | 5.59 | WFL 6220-233 | | | | |
| 0.230 | 5.84 | WFL 6230-233 | | | | |
| 0.240 | 6.10 | WFL 6240-233 | | | | |
| 0.250 | 6.35 | WFL 6250-233 | | | | |
| 0.260 | 6.60 | WFL 6260-233 | | | | |
| 0.270 | 6.86 | WFL 6270-233 | | | | |
| 0.280 | 7.11 | WFL 6280-233 | | | | |
| 0.290 | 7.37 | WFL 6290-233 | | | | |
| 0.300 | 7.62 | WFL 6300-233 | | | | |
| 0.325 | 8.26 | WFL 6325-233 | | | | |
| 0.350 | 8.89 | WFL 6350-233 | | | | |
| 0.375 | 9.53 | WFL 6375-233 | | | | |
| 0.400 | 10.16 | WFL 6400-233 | | | | |
| 0.425 | 10.80 | WFL 6425-233 | | | | |
| 0.500 | 12.70 | WFL 6500-233 | | | | |
| 0.525 | 13.34 | WFL 6525-233 | | | | |
| 0.550 | 13.97 | WFL 6550-233 | | | | |
| 0.575 | 14.61 | WFL 6575-233 | | | | |
| 0.600 | 15.24 | WFL 6600-233 | | | | |
| 0.625 | 15.88 | WFL 6625-233 | | | | |

"Safety pays the highest dividends.™"

WFL6xxx-236 METAL MUNCHER™ NON-FERROUS CUTTING

| L = 0.583" [14.8mm] T = 0.183" [4.65mm] TOP RELIEF 40° | | | | | | |
|--|-------------|--------------|----------------------------|------------------------------------|--------------------------------|--------------------------------------|
| W (Kerf ") | W (Kerf mm) | PART# | 25-99 pcs. 100 Plus 20% | 100-499 pcs. BASE PRICE +10% | 500-4999 pcs. BASE PRICE | 5000+ pcs. BASE PRICE less 10% |
| 0.095 | 2.41 | WFL 6095-236 | Please Call for Price | | | |
| 0.100 | 2.54 | WFL 6100-236 | | | | |
| 0.110 | 2.79 | WFL 6110-236 | | | | |
| 0.120 | 3.05 | WFL 6120-236 | | | | |
| 0.125 | 3.18 | WFL 6125-236 | | | | |
| 0.130 | 3.30 | WFL 6130-236 | | | | |
| 0.140 | 3.56 | WFL 6140-236 | | | | |
| 0.145 | 3.68 | WFL 6145-236 | | | | |
| 0.150 | 3.81 | WFL 6150-236 | | | | |
| 0.160 | 4.06 | WFL 6160-236 | | | | |
| 0.165 | 4.19 | WFL 6165-236 | | | | |
| 0.170 | 4.32 | WFL 6170-236 | | | | |
| 0.180 | 4.57 | WFL 6180-236 | | | | |
| 0.190 | 4.83 | WFL 6190-236 | | | | |
| 0.200 | 5.08 | WFL 6200-236 | | | | |
| 0.210 | 5.33 | WFL 6210-236 | | | | |
| 0.220 | 5.59 | WFL 6220-236 | | | | |
| 0.230 | 5.84 | WFL 6230-236 | | | | |
| 0.240 | 6.10 | WFL 6240-236 | | | | |
| 0.250 | 6.35 | WFL 6250-236 | | | | |
| 0.260 | 6.60 | WFL 6260-236 | | | | |
| 0.270 | 6.86 | WFL 6270-236 | | | | |
| 0.280 | 7.11 | WFL 6280-236 | | | | |
| 0.290 | 7.37 | WFL 6290-236 | | | | |
| 0.300 | 7.62 | WFL 6300-236 | | | | |
| 0.325 | 8.26 | WFL 6325-236 | | | | |
| 0.350 | 8.89 | WFL 6350-236 | | | | |
| 0.375 | 9.53 | WFL 6375-236 | | | | |
| 0.400 | 10.16 | WFL 6400-236 | | | | |
| 0.425 | 10.80 | WFL 6425-236 | | | | |
| 0.500 | 12.70 | WFL 6500-236 | | | | |
| 0.525 | 13.34 | WFL 6525-236 | | | | |
| 0.550 | 13.97 | WFL 6550-236 | | | | |
| 0.575 | 14.61 | WFL 6575-236 | | | | |
| 0.600 | 15.24 | WFL 6600-236 | | | | |
| 0.625 | 15.88 | WFL 6625-236 | | | | |

"Safety pays the highest dividends.™"

WFL6xxx-239 METAL MUNCHER™ FERROUS CUTTING

| L = 0.583" [14.8mm] T = 0.183" [4.65mm] TOP RELIEF 40° | | | | | | |
|--|-------------|--------------|----------------------------|------------------------------------|--------------------------------|--------------------------------------|
| W (Kerf ") | W (Kerf mm) | PART# | 25-99 pcs. 100 Plus 20% | 100-499 pcs. BASE PRICE +10% | 500-4999 pcs. BASE PRICE | 5000+ pcs. BASE PRICE less 10% |
| 0.095 | 2.41 | WFL 6095-239 | Please Call for Price | | | |
| 0.100 | 2.54 | WFL 6100-239 | | | | |
| 0.110 | 2.79 | WFL 6110-239 | | | | |
| 0.120 | 3.05 | WFL 6120-239 | | | | |
| 0.125 | 3.18 | WFL 6125-239 | | | | |
| 0.130 | 3.30 | WFL 6130-239 | | | | |
| 0.140 | 3.56 | WFL 6140-239 | | | | |
| 0.145 | 3.68 | WFL 6145-239 | | | | |
| 0.150 | 3.81 | WFL 6150-239 | | | | |
| 0.160 | 4.06 | WFL 6160-239 | | | | |
| 0.165 | 4.19 | WFL 6165-239 | | | | |
| 0.170 | 4.32 | WFL 6170-239 | | | | |
| 0.180 | 4.57 | WFL 6180-239 | | | | |
| 0.190 | 4.83 | WFL 6190-239 | | | | |
| 0.200 | 5.08 | WFL 6200-239 | | | | |
| 0.210 | 5.33 | WFL 6210-239 | | | | |
| 0.220 | 5.59 | WFL 6220-239 | | | | |
| 0.230 | 5.84 | WFL 6230-239 | | | | |
| 0.240 | 6.10 | WFL 6240-239 | | | | |
| 0.250 | 6.35 | WFL 6250-239 | | | | |
| 0.260 | 6.60 | WFL 6260-239 | | | | |
| 0.270 | 6.86 | WFL 6270-239 | | | | |
| 0.280 | 7.11 | WFL 6280-239 | | | | |
| 0.290 | 7.37 | WFL 6290-239 | | | | |
| 0.300 | 7.62 | WFL 6300-239 | | | | |
| 0.325 | 8.26 | WFL 6325-239 | | | | |
| 0.350 | 8.89 | WFL 6350-239 | | | | |
| 0.375 | 9.53 | WFL 6375-239 | | | | |
| 0.400 | 10.16 | WFL 6400-239 | | | | |
| 0.425 | 10.80 | WFL 6425-239 | | | | |
| 0.500 | 12.70 | WFL 6500-239 | | | | |
| 0.525 | 13.34 | WFL 6525-239 | | | | |
| 0.550 | 13.97 | WFL 6550-239 | | | | |
| 0.575 | 14.61 | WFL 6575-239 | | | | |
| 0.600 | 15.24 | WFL 6600-239 | | | | |

"Safety pays the highest dividends.™"

WFL6xxx-248 XL KNOT MASTER™ EXTENDED LIFE CARBIDE

| L = 0.583" [14.8mm] T = 0.183" [4.65mm] TOP RELIEF 40° | | | | | | |
|--|-------------|-----------------|----------------------------|------------------------------------|--------------------------------|--------------------------------------|
| W (Kerf ") | W (Kerf mm) | PART# | 25-99 pcs. 100 Plus 20% | 100-499 pcs. BASE PRICE +10% | 500-4999 pcs. BASE PRICE | 5000+ pcs. BASE PRICE less 10% |
| 0.095 | 2.41 | WFL 6095-248 XL | Please Call for Price | | | |
| 0.100 | 2.54 | WFL 6100-248 XL | | | | |
| 0.110 | 2.79 | WFL 6110-248 XL | | | | |
| 0.120 | 3.05 | WFL 6120-248 XL | | | | |
| 0.125 | 3.18 | WFL 6125-248 XL | | | | |
| 0.130 | 3.30 | WFL 6130-248 XL | | | | |
| 0.140 | 3.56 | WFL 6140-248 XL | | | | |
| 0.145 | 3.68 | WFL 6145-248 XL | | | | |
| 0.150 | 3.81 | WFL 6150-248 XL | | | | |
| 0.160 | 4.06 | WFL 6160-248 XL | | | | |
| 0.165 | 4.19 | WFL 6165-248 XL | | | | |
| 0.170 | 4.32 | WFL 6170-248 XL | | | | |
| 0.180 | 4.57 | WFL 6180-248 XL | | | | |
| 0.190 | 4.83 | WFL 6190-248 XL | | | | |
| 0.200 | 5.08 | WFL 6200-248 XL | | | | |
| 0.210 | 5.33 | WFL 6210-248 XL | | | | |
| 0.220 | 5.59 | WFL 6220-248 XL | | | | |
| 0.230 | 5.84 | WFL 6230-248 XL | | | | |
| 0.240 | 6.10 | WFL 6240-248 XL | | | | |
| 0.250 | 6.35 | WFL 6250-248 XL | | | | |
| 0.260 | 6.60 | WFL 6260-248 XL | | | | |
| 0.270 | 6.86 | WFL 6270-248 XL | | | | |
| 0.280 | 7.11 | WFL 6280-248 XL | | | | |
| 0.290 | 7.37 | WFL 6290-248 XL | | | | |
| 0.300 | 7.62 | WFL 6300-248 XL | | | | |
| 0.325 | 8.26 | WFL 6325-248 XL | | | | |
| 0.350 | 8.89 | WFL 6350-248 XL | | | | |
| 0.375 | 9.53 | WFL 6375-248 XL | | | | |
| 0.400 | 10.16 | WFL 6400-248 XL | | | | |
| 0.425 | 10.80 | WFL 6425-248 XL | | | | |
| 0.500 | 12.70 | WFL 6500-248 XL | | | | |
| 0.525 | 13.34 | WFL 6525-248 XL | | | | |
| 0.550 | 13.97 | WFL 6550-248 XL | | | | |
| 0.575 | 14.61 | WFL 6575-248 XL | | | | |
| 0.600 | 15.24 | WFL 6600-248 XL | | | | |
| 0.625 | 15.88 | WFL 6625-248 XL | | | | |

"Safety pays the highest dividends.™"

5000 Main Street • P.O. Box 216
Drakes Branch, VA 23937-0216 USA

FAX 434-568-3421

Phone 434-568-3311
Toll Free 800-424-3311

WFL6xxx-249 KNOT MASTER™ CARBIDE SAW TIPS

| L = 0.583" [14.8mm] T = 0.183" [4.65mm] TOP RELIEF 40° | | | | | | |
|--|-------------|--------------|----------------------------|------------------------------------|--------------------------------|--------------------------------------|
| W (Kerf ") | W (Kerf mm) | PART# | 25-99 pcs. 100 Plus 20% | 100-499 pcs. BASE PRICE +10% | 500-4999 pcs. BASE PRICE | 5000+ pcs. BASE PRICE less 10% |
| 0.095 | 2.41 | WFL 6095-249 | Please Call for Price | | | |
| 0.100 | 2.54 | WFL 6100-249 | | | | |
| 0.110 | 2.79 | WFL 6110-249 | | | | |
| 0.120 | 3.05 | WFL 6120-249 | | | | |
| 0.125 | 3.18 | WFL 6125-249 | | | | |
| 0.130 | 3.30 | WFL 6130-249 | | | | |
| 0.140 | 3.56 | WFL 6140-249 | | | | |
| 0.145 | 3.68 | WFL 6145-249 | | | | |
| 0.150 | 3.81 | WFL 6150-249 | | | | |
| 0.160 | 4.06 | WFL 6160-249 | | | | |
| 0.165 | 4.19 | WFL 6165-249 | | | | |
| 0.170 | 4.32 | WFL 6170-249 | | | | |
| 0.180 | 4.57 | WFL 6180-249 | | | | |
| 0.190 | 4.83 | WFL 6190-249 | | | | |
| 0.200 | 5.08 | WFL 6200-249 | | | | |
| 0.210 | 5.33 | WFL 6210-249 | | | | |
| 0.220 | 5.59 | WFL 6220-249 | | | | |
| 0.230 | 5.84 | WFL 6230-249 | | | | |
| 0.240 | 6.10 | WFL 6240-249 | | | | |
| 0.250 | 6.35 | WFL 6250-249 | | | | |
| 0.260 | 6.60 | WFL 6260-249 | | | | |
| 0.270 | 6.86 | WFL 6270-249 | | | | |
| 0.280 | 7.11 | WFL 6280-249 | | | | |
| 0.290 | 7.37 | WFL 6290-249 | | | | |
| 0.300 | 7.62 | WFL 6300-249 | | | | |
| 0.325 | 8.26 | WFL 6325-249 | | | | |
| 0.350 | 8.89 | WFL 6350-249 | | | | |
| 0.375 | 9.53 | WFL 6375-249 | | | | |
| 0.400 | 10.16 | WFL 6400-249 | | | | |
| 0.425 | 10.80 | WFL 6425-249 | | | | |
| 0.500 | 12.70 | WFL 6500-249 | | | | |
| 0.525 | 13.34 | WFL 6525-249 | | | | |
| 0.550 | 13.97 | WFL 6550-249 | | | | |
| 0.575 | 14.61 | WFL 6575-249 | | | | |
| 0.600 | 15.24 | WFL 6600-249 | | | | |
| 0.625 | 15.88 | WFL 6625-249 | | | | |

"Safety pays the highest dividends.™"

WF7xxx-233 NI-MATRIX II™ NAIL CUTTING CARBIDE

| L = 0.500" [12.7mm] T = 0.125" [3.18mm] TOP RELIEF 30° | | | | | | |
|--|-------------|-------------|----------------------------|------------------------------------|--------------------------------|--------------------------------------|
| W (Kerf ") | W (Kerf mm) | PART# | 25-99 pcs. 100 Plus 20% | 100-499 pcs. BASE PRICE +10% | 500-4999 pcs. BASE PRICE | 5000+ pcs. BASE PRICE less 10% |
| 0.095 | 2.41 | WF 7095-233 | Please Call for Price | | | |
| 0.100 | 2.54 | WF 7100-233 | | | | |
| 0.110 | 2.79 | WF 7110-233 | | | | |
| 0.120 | 3.05 | WF 7120-233 | | | | |
| 0.125 | 3.18 | WF 7125-233 | | | | |
| 0.130 | 3.30 | WF 7130-233 | | | | |
| 0.140 | 3.56 | WF 7140-233 | | | | |
| 0.145 | 3.68 | WF 7145-233 | | | | |
| 0.150 | 3.81 | WF 7150-233 | | | | |
| 0.160 | 4.06 | WF 7160-233 | | | | |
| 0.165 | 4.19 | WF 7165-233 | | | | |
| 0.170 | 4.32 | WF 7170-233 | | | | |
| 0.180 | 4.57 | WF 7180-233 | | | | |
| 0.190 | 4.83 | WF 7190-233 | | | | |
| 0.200 | 5.08 | WF 7200-233 | | | | |
| 0.210 | 5.33 | WF 7210-233 | | | | |
| 0.220 | 5.59 | WF 7220-233 | | | | |
| 0.230 | 5.84 | WF 7230-233 | | | | |
| 0.240 | 6.10 | WF 7240-233 | | | | |
| 0.250 | 6.35 | WF 7250-233 | | | | |
| 0.260 | 6.60 | WF 7260-233 | | | | |
| 0.270 | 6.86 | WF 7270-233 | | | | |
| 0.280 | 7.11 | WF 7280-233 | | | | |
| 0.290 | 7.37 | WF 7290-233 | | | | |
| 0.300 | 7.62 | WF 7300-233 | | | | |
| 0.325 | 8.26 | WF 7325-233 | | | | |
| 0.350 | 8.89 | WF 7350-233 | | | | |
| 0.375 | 9.53 | WF 7375-233 | | | | |
| 0.400 | 10.16 | WF 7400-233 | | | | |
| 0.425 | 10.80 | WF 7425-233 | | | | |
| 0.500 | 12.70 | WF 7500-233 | | | | |
| 0.525 | 13.34 | WF 7525-233 | | | | |
| 0.550 | 13.97 | WF 7550-233 | | | | |
| 0.575 | 14.61 | WF 7575-233 | | | | |
| 0.600 | 15.24 | WF 7600-233 | | | | |
| 0.625 | 15.88 | WF 7625-233 | | | | |

"Safety pays the highest dividends.™"

WF9xxx-233 NI-MATRIX II™ NAIL CUTTING CARBIDE

| L = 0.500" [12.7mm] T = 0.125" [3.18mm] TOP RELIEF 30° | | | | | | |
|--|-------------|-------------|----------------------------|------------------------------------|--------------------------------|--------------------------------------|
| W (Kerf ") | W (Kerf mm) | PART# | 25-99 pcs. 100 Plus 20% | 100-499 pcs. BASE PRICE +10% | 500-4999 pcs. BASE PRICE | 5000+ pcs. BASE PRICE less 10% |
| 0.095 | 2.41 | WF 9095-233 | Please Call for Price | | | |
| 0.100 | 2.54 | WF 9100-233 | | | | |
| 0.110 | 2.79 | WF 9110-233 | | | | |
| 0.120 | 3.05 | WF 9120-233 | | | | |
| 0.125 | 3.18 | WF 9125-233 | | | | |
| 0.130 | 3.30 | WF 9130-233 | | | | |
| 0.140 | 3.56 | WF 9140-233 | | | | |
| 0.145 | 3.68 | WF 9145-233 | | | | |
| 0.150 | 3.81 | WF 9150-233 | | | | |
| 0.160 | 4.06 | WF 9160-233 | | | | |
| 0.165 | 4.19 | WF 9165-233 | | | | |
| 0.170 | 4.32 | WF 9170-233 | | | | |
| 0.180 | 4.57 | WF 9180-233 | | | | |
| 0.190 | 4.83 | WF 9190-233 | | | | |
| 0.200 | 5.08 | WF 9200-233 | | | | |
| 0.210 | 5.33 | WF 9210-233 | | | | |
| 0.220 | 5.59 | WF 9220-233 | | | | |
| 0.230 | 5.84 | WF 9230-233 | | | | |
| 0.240 | 6.10 | WF 9240-233 | | | | |
| 0.250 | 6.35 | WF 9250-233 | | | | |
| 0.260 | 6.60 | WF 9260-233 | | | | |
| 0.270 | 6.86 | WF 9270-233 | | | | |
| 0.280 | 7.11 | WF 9280-233 | | | | |
| 0.290 | 7.37 | WF 9290-233 | | | | |
| 0.300 | 7.62 | WF 9300-233 | | | | |
| 0.325 | 8.26 | WF 9325-233 | | | | |
| 0.350 | 8.89 | WF 9350-233 | | | | |
| 0.375 | 9.53 | WF 9375-233 | | | | |
| 0.400 | 10.16 | WF 9400-233 | | | | |
| 0.425 | 10.80 | WF 9425-233 | | | | |
| 0.500 | 12.70 | WF 9500-233 | | | | |
| 0.525 | 13.34 | WF 9525-233 | | | | |
| 0.550 | 13.97 | WF 9550-233 | | | | |
| 0.575 | 14.61 | WF 9575-233 | | | | |
| 0.600 | 15.24 | WF 9600-233 | | | | |
| 0.625 | 15.88 | WF 9625-233 | | | | |

"Safety pays the highest dividends.™"

WF7xxx-236 METAL MUNCHER™ NON-FERROUS CUTTING

| L = 0.500" [12.7mm] T = 0.125" [3.18mm] TOP RELIEF 30° | | | | | | |
|--|-------------|-------------|----------------------------|------------------------------------|--------------------------------|--------------------------------------|
| W (Kerf ") | W (Kerf mm) | PART# | 25-99 pcs. 100 Plus 20% | 100-499 pcs. BASE PRICE +10% | 500-4999 pcs. BASE PRICE | 5000+ pcs. BASE PRICE less 10% |
| 0.095 | 2.41 | WF 7095-236 | Please Call for Price | | | |
| 0.100 | 2.54 | WF 7100-236 | | | | |
| 0.110 | 2.79 | WF 7110-236 | | | | |
| 0.120 | 3.05 | WF 7120-236 | | | | |
| 0.125 | 3.18 | WF 7125-236 | | | | |
| 0.130 | 3.30 | WF 7130-236 | | | | |
| 0.140 | 3.56 | WF 7140-236 | | | | |
| 0.145 | 3.68 | WF 7145-236 | | | | |
| 0.150 | 3.81 | WF 7150-236 | | | | |
| 0.160 | 4.06 | WF 7160-236 | | | | |
| 0.165 | 4.19 | WF 7165-236 | | | | |
| 0.170 | 4.32 | WF 7170-236 | | | | |
| 0.180 | 4.57 | WF 7180-236 | | | | |
| 0.190 | 4.83 | WF 7190-236 | | | | |
| 0.200 | 5.08 | WF 7200-236 | | | | |
| 0.210 | 5.33 | WF 7210-236 | | | | |
| 0.220 | 5.59 | WF 7220-236 | | | | |
| 0.230 | 5.84 | WF 7230-236 | | | | |
| 0.240 | 6.10 | WF 7240-236 | | | | |
| 0.250 | 6.35 | WF 7250-236 | | | | |
| 0.260 | 6.60 | WF 7260-236 | | | | |
| 0.270 | 6.86 | WF 7270-236 | | | | |
| 0.280 | 7.11 | WF 7280-236 | | | | |
| 0.290 | 7.37 | WF 7290-236 | | | | |
| 0.300 | 7.62 | WF 7300-236 | | | | |
| 0.325 | 8.26 | WF 7325-236 | | | | |
| 0.350 | 8.89 | WF 7350-236 | | | | |
| 0.375 | 9.53 | WF 7375-236 | | | | |
| 0.400 | 10.16 | WF 7400-236 | | | | |
| 0.425 | 10.80 | WF 7425-236 | | | | |
| 0.500 | 12.70 | WF 7500-236 | | | | |
| 0.525 | 13.34 | WF 7525-236 | | | | |
| 0.550 | 13.97 | WF 7550-236 | | | | |
| 0.575 | 14.61 | WF 7575-236 | | | | |
| 0.600 | 15.24 | WF 7600-236 | | | | |
| 0.625 | 15.88 | WF 7625-236 | | | | |

"Safety pays the highest dividends.™"

WF7xxx-239 METAL MUNCHER™ FERROUS CUTTING

| L = 0.500" [12.7mm] T = 0.125" [3.18mm] TOP RELIEF 30° | | | | | | |
|--|-------------|-------------|----------------------------|------------------------------------|--------------------------------|--------------------------------------|
| W (Kerf ") | W (Kerf mm) | PART# | 25-99 pcs. 100 Plus 20% | 100-499 pcs. BASE PRICE +10% | 500-4999 pcs. BASE PRICE | 5000+ pcs. BASE PRICE less 10% |
| 0.095 | 2.41 | WF 7095-239 | Please Call for Price | | | |
| 0.100 | 2.54 | WF 7100-239 | | | | |
| 0.110 | 2.79 | WF 7110-239 | | | | |
| 0.120 | 3.05 | WF 7120-239 | | | | |
| 0.125 | 3.18 | WF 7125-239 | | | | |
| 0.130 | 3.30 | WF 7130-239 | | | | |
| 0.140 | 3.56 | WF 7140-239 | | | | |
| 0.145 | 3.68 | WF 7145-239 | | | | |
| 0.150 | 3.81 | WF 7150-239 | | | | |
| 0.160 | 4.06 | WF 7160-239 | | | | |
| 0.165 | 4.19 | WF 7165-239 | | | | |
| 0.170 | 4.32 | WF 7170-239 | | | | |
| 0.180 | 4.57 | WF 7180-239 | | | | |
| 0.190 | 4.83 | WF 7190-239 | | | | |
| 0.200 | 5.08 | WF 7200-239 | | | | |
| 0.210 | 5.33 | WF 7210-239 | | | | |
| 0.220 | 5.59 | WF 7220-239 | | | | |
| 0.230 | 5.84 | WF 7230-239 | | | | |
| 0.240 | 6.10 | WF 7240-239 | | | | |
| 0.250 | 6.35 | WF 7250-239 | | | | |
| 0.260 | 6.60 | WF 7260-239 | | | | |
| 0.270 | 6.86 | WF 7270-239 | | | | |
| 0.280 | 7.11 | WF 7280-239 | | | | |
| 0.290 | 7.37 | WF 7290-239 | | | | |
| 0.300 | 7.62 | WF 7300-239 | | | | |
| 0.325 | 8.26 | WF 7325-239 | | | | |
| 0.350 | 8.89 | WF 7350-239 | | | | |
| 0.375 | 9.53 | WF 7375-239 | | | | |
| 0.400 | 10.16 | WF 7400-239 | | | | |
| 0.425 | 10.80 | WF 7425-239 | | | | |
| 0.500 | 12.70 | WF 7500-239 | | | | |
| 0.525 | 13.34 | WF 7525-239 | | | | |
| 0.550 | 13.97 | WF 7550-239 | | | | |
| 0.575 | 14.61 | WF 7575-239 | | | | |
| 0.600 | 15.24 | WF 7600-239 | | | | |
| 0.625 | 15.88 | WF 7625-239 | | | | |

"Safety pays the highest dividends.™"

WF7xxx-248 XL KNOT MASTER™ EXTENDED LIFE CARBIDE

| L = 0.500" [12.7mm] T = 0.125" [3.18mm] TOP RELIEF 30° | | | | | | |
|--|-------------|----------------|----------------------------|------------------------------------|--------------------------------|--------------------------------------|
| W (Kerf ") | W (Kerf mm) | PART# | 25-99 pcs. 100 Plus 20% | 100-499 pcs. BASE PRICE +10% | 500-4999 pcs. BASE PRICE | 5000+ pcs. BASE PRICE less 10% |
| 0.095 | 2.41 | WF 7095-248 XL | Please Call for Price | | | |
| 0.100 | 2.54 | WF 7100-248 XL | | | | |
| 0.110 | 2.79 | WF 7110-248 XL | | | | |
| 0.120 | 3.05 | WF 7120-248 XL | | | | |
| 0.125 | 3.18 | WF 7125-248 XL | | | | |
| 0.130 | 3.30 | WF 7130-248 XL | | | | |
| 0.140 | 3.56 | WF 7140-248 XL | | | | |
| 0.145 | 3.68 | WF 7145-248 XL | | | | |
| 0.150 | 3.81 | WF 7150-248 XL | | | | |
| 0.160 | 4.06 | WF 7160-248 XL | | | | |
| 0.165 | 4.19 | WF 7165-248 XL | | | | |
| 0.170 | 4.32 | WF 7170-248 XL | | | | |
| 0.180 | 4.57 | WF 7180-248 XL | | | | |
| 0.190 | 4.83 | WF 7190-248 XL | | | | |
| 0.200 | 5.08 | WF 7200-248 XL | | | | |
| 0.210 | 5.33 | WF 7210-248 XL | | | | |
| 0.220 | 5.59 | WF 7220-248 XL | | | | |
| 0.230 | 5.84 | WF 7230-248 XL | | | | |
| 0.240 | 6.10 | WF 7240-248 XL | | | | |
| 0.250 | 6.35 | WF 7250-248 XL | | | | |
| 0.260 | 6.60 | WF 7260-248 XL | | | | |
| 0.270 | 6.86 | WF 7270-248 XL | | | | |
| 0.280 | 7.11 | WF 7280-248 XL | | | | |
| 0.290 | 7.37 | WF 7290-248 XL | | | | |
| 0.300 | 7.62 | WF 7300-248 XL | | | | |
| 0.325 | 8.26 | WF 7325-248 XL | | | | |
| 0.350 | 8.89 | WF 7350-248 XL | | | | |
| 0.375 | 9.53 | WF 7375-248 XL | | | | |
| 0.400 | 10.16 | WF 7400-248 XL | | | | |
| 0.425 | 10.80 | WF 7425-248 XL | | | | |
| 0.500 | 12.70 | WF 7500-248 XL | | | | |
| 0.525 | 13.34 | WF 7525-248 XL | | | | |
| 0.550 | 13.97 | WF 7550-248 XL | | | | |
| 0.575 | 14.61 | WF 7575-248 XL | | | | |
| 0.600 | 15.24 | WF 7600-248 XL | | | | |
| 0.625 | 15.88 | WF 7625-248 XL | | | | |

"Safety pays the highest dividends.™"

5000 Main Street • P.O. Box 216
Drakes Branch, VA 23937-0216 USA

FAX 434-568-3421

Phone 434-568-3311
Toll Free 800-424-3311

WF7xxx-249 KNOT MASTER™ CARBIDE SAW TIPS

| L = 0.500" [12.7mm] T = 0.125" [3.18mm] TOP RELIEF 30° | | | | | | |
|--|-------------|-------------|----------------------------|------------------------------------|--------------------------------|--------------------------------------|
| W (Kerf ") | W (Kerf mm) | PART# | 25-99 pcs. 100 Plus 20% | 100-499 pcs. BASE PRICE +10% | 500-4999 pcs. BASE PRICE | 5000+ pcs. BASE PRICE less 10% |
| 0.095 | 2.41 | WF 7095-249 | Please Call for Price | | | |
| 0.100 | 2.54 | WF 7100-249 | | | | |
| 0.110 | 2.79 | WF 7110-249 | | | | |
| 0.120 | 3.05 | WF 7120-249 | | | | |
| 0.125 | 3.18 | WF 7125-249 | | | | |
| 0.130 | 3.30 | WF 7130-249 | | | | |
| 0.140 | 3.56 | WF 7140-249 | | | | |
| 0.145 | 3.68 | WF 7145-249 | | | | |
| 0.150 | 3.81 | WF 7150-249 | | | | |
| 0.160 | 4.06 | WF 7160-249 | | | | |
| 0.165 | 4.19 | WF 7165-249 | | | | |
| 0.170 | 4.32 | WF 7170-249 | | | | |
| 0.180 | 4.57 | WF 7180-249 | | | | |
| 0.190 | 4.83 | WF 7190-249 | | | | |
| 0.200 | 5.08 | WF 7200-249 | | | | |
| 0.210 | 5.33 | WF 7210-249 | | | | |
| 0.220 | 5.59 | WF 7220-249 | | | | |
| 0.230 | 5.84 | WF 7230-249 | | | | |
| 0.240 | 6.10 | WF 7240-249 | | | | |
| 0.250 | 6.35 | WF 7250-249 | | | | |
| 0.260 | 6.60 | WF 7260-249 | | | | |
| 0.270 | 6.86 | WF 7270-249 | | | | |
| 0.280 | 7.11 | WF 7280-249 | | | | |
| 0.290 | 7.37 | WF 7290-249 | | | | |
| 0.300 | 7.62 | WF 7300-249 | | | | |
| 0.325 | 8.26 | WF 7325-249 | | | | |
| 0.350 | 8.89 | WF 7350-249 | | | | |
| 0.375 | 9.53 | WF 7375-249 | | | | |
| 0.400 | 10.16 | WF 7400-249 | | | | |
| 0.425 | 10.80 | WF 7425-249 | | | | |
| 0.500 | 12.70 | WF 7500-249 | | | | |
| 0.525 | 13.34 | WF 7525-249 | | | | |
| 0.550 | 13.97 | WF 7550-249 | | | | |
| 0.575 | 14.61 | WF 7575-249 | | | | |
| 0.600 | 15.24 | WF 7600-249 | | | | |
| 0.625 | 15.88 | WF 7625-249 | | | | |

"Safety pays the highest dividends.™"

WFS9xxx-233 NI-MATRIX II™ NAIL CUTTING CARBIDE

| L = 0.500" [12.7mm] T = 0.125" [3.18mm] TOP RELIEF 40° | | | | | | |
|--|-------------|--------------|----------------------------|------------------------------------|--------------------------------|--------------------------------------|
| W (Kerf ") | W (Kerf mm) | PART# | 25-99 pcs. 100 Plus 20% | 100-499 pcs. BASE PRICE +10% | 500-4999 pcs. BASE PRICE | 5000+ pcs. BASE PRICE less 10% |
| 0.095 | 2.41 | WFS 9095-233 | Please Call for Price | | | |
| 0.100 | 2.54 | WFS 9100-233 | | | | |
| 0.110 | 2.79 | WFS 9110-233 | | | | |
| 0.120 | 3.05 | WFS 9120-233 | | | | |
| 0.125 | 3.18 | WFS 9125-233 | | | | |
| 0.130 | 3.30 | WFS 9130-233 | | | | |
| 0.140 | 3.56 | WFS 9140-233 | | | | |
| 0.145 | 3.68 | WFS 9145-233 | | | | |
| 0.150 | 3.81 | WFS 9150-233 | | | | |
| 0.160 | 4.06 | WFS 9160-233 | | | | |
| 0.165 | 4.19 | WFS 9165-233 | | | | |
| 0.170 | 4.32 | WFS 9170-233 | | | | |
| 0.180 | 4.57 | WFS 9180-233 | | | | |
| 0.190 | 4.83 | WFS 9190-233 | | | | |
| 0.200 | 5.08 | WFS 9200-233 | | | | |
| 0.210 | 5.33 | WFS 9210-233 | | | | |
| 0.220 | 5.59 | WFS 9220-233 | | | | |
| 0.230 | 5.84 | WFS 9230-233 | | | | |
| 0.240 | 6.10 | WFS 9240-233 | | | | |
| 0.250 | 6.35 | WFS 9250-233 | | | | |
| 0.260 | 6.60 | WFS 9260-233 | | | | |
| 0.270 | 6.86 | WFS 9270-233 | | | | |
| 0.280 | 7.11 | WFS 9280-233 | | | | |
| 0.290 | 7.37 | WFS 9290-233 | | | | |
| 0.300 | 7.62 | WFS 9300-233 | | | | |
| 0.325 | 8.26 | WFS 9325-233 | | | | |
| 0.350 | 8.89 | WFS 9350-233 | | | | |
| 0.375 | 9.53 | WFS 9375-233 | | | | |
| 0.400 | 10.16 | WFS 9400-233 | | | | |
| 0.425 | 10.80 | WFS 9425-233 | | | | |
| 0.500 | 12.70 | WFS 9500-233 | | | | |
| 0.525 | 13.34 | WFS 9525-233 | | | | |
| 0.550 | 13.97 | WFS 9550-233 | | | | |
| 0.575 | 14.61 | WFS 9575-233 | | | | |
| 0.600 | 15.24 | WFS 9600-233 | | | | |
| 0.625 | 15.88 | WFS 9625-233 | | | | |

"Safety pays the highest dividends.™"

5000 Main Street • P.O. Box 216
Drakes Branch, VA 23937-0216 USA

FAX 434-568-3421

Phone 434-568-3311
Toll Free 800-424-3311

WFS9xxx-236 METAL MUNCHER™ NON-FERROUS CUTTING

| L = 0.500" [12.7mm] T = 0.125" [3.18mm] TOP RELIEF 40° | | | | | | |
|--|-------------|--------------|----------------------------|------------------------------------|--------------------------------|--------------------------------------|
| W (Kerf ") | W (Kerf mm) | PART# | 25-99 pcs. 100 Plus 20% | 100-499 pcs. BASE PRICE +10% | 500-4999 pcs. BASE PRICE | 5000+ pcs. BASE PRICE less 10% |
| 0.095 | 2.41 | WFS 9095-236 | Please Call for Price | | | |
| 0.100 | 2.54 | WFS 9100-236 | | | | |
| 0.110 | 2.79 | WFS 9110-236 | | | | |
| 0.120 | 3.05 | WFS 9120-236 | | | | |
| 0.125 | 3.18 | WFS 9125-236 | | | | |
| 0.130 | 3.30 | WFS 9130-236 | | | | |
| 0.140 | 3.56 | WFS 9140-236 | | | | |
| 0.145 | 3.68 | WFS 9145-236 | | | | |
| 0.150 | 3.81 | WFS 9150-236 | | | | |
| 0.160 | 4.06 | WFS 9160-236 | | | | |
| 0.165 | 4.19 | WFS 9165-236 | | | | |
| 0.170 | 4.32 | WFS 9170-236 | | | | |
| 0.180 | 4.57 | WFS 9180-236 | | | | |
| 0.190 | 4.83 | WFS 9190-236 | | | | |
| 0.200 | 5.08 | WFS 9200-236 | | | | |
| 0.210 | 5.33 | WFS 9210-236 | | | | |
| 0.220 | 5.59 | WFS 9220-236 | | | | |
| 0.230 | 5.84 | WFS 9230-236 | | | | |
| 0.240 | 6.10 | WFS 9240-236 | | | | |
| 0.250 | 6.35 | WFS 9250-236 | | | | |
| 0.260 | 6.60 | WFS 9260-236 | | | | |
| 0.270 | 6.86 | WFS 9270-236 | | | | |
| 0.280 | 7.11 | WFS 9280-236 | | | | |
| 0.290 | 7.37 | WFS 9290-236 | | | | |
| 0.300 | 7.62 | WFS 9300-236 | | | | |
| 0.325 | 8.26 | WFS 9325-236 | | | | |
| 0.350 | 8.89 | WFS 9350-236 | | | | |
| 0.375 | 9.53 | WFS 9375-236 | | | | |
| 0.400 | 10.16 | WFS 9400-236 | | | | |
| 0.425 | 10.80 | WFS 9425-236 | | | | |
| 0.500 | 12.70 | WFS 9500-236 | | | | |
| 0.525 | 13.34 | WFS 9525-236 | | | | |
| 0.550 | 13.97 | WFS 9550-236 | | | | |
| 0.575 | 14.61 | WFS 9575-236 | | | | |
| 0.600 | 15.24 | WFS 9600-236 | | | | |
| 0.625 | 15.88 | WFS 9625-236 | | | | |

"Safety pays the highest dividends.™"

WFS9xxx-239 METAL MUNCHER™ FERROUS CUTTING

| L = 0.500" [12.7mm] T = 0.125" [3.18mm] TOP RELIEF 40° | | | | | | |
|--|-------------|--------------|----------------------------|------------------------------------|--------------------------------|--------------------------------------|
| W (Kerf ") | W (Kerf mm) | PART# | 25-99 pcs. 100 Plus 20% | 100-499 pcs. BASE PRICE +10% | 500-4999 pcs. BASE PRICE | 5000+ pcs. BASE PRICE less 10% |
| 0.095 | 2.41 | WFS 9095-239 | Please Call for Price | | | |
| 0.100 | 2.54 | WFS 9100-239 | | | | |
| 0.110 | 2.79 | WFS 9110-239 | | | | |
| 0.120 | 3.05 | WFS 9120-239 | | | | |
| 0.125 | 3.18 | WFS 9125-239 | | | | |
| 0.130 | 3.30 | WFS 9130-239 | | | | |
| 0.140 | 3.56 | WFS 9140-239 | | | | |
| 0.145 | 3.68 | WFS 9145-239 | | | | |
| 0.150 | 3.81 | WFS 9150-239 | | | | |
| 0.160 | 4.06 | WFS 9160-239 | | | | |
| 0.165 | 4.19 | WFS 9165-239 | | | | |
| 0.170 | 4.32 | WFS 9170-239 | | | | |
| 0.180 | 4.57 | WFS 9180-239 | | | | |
| 0.190 | 4.83 | WFS 9190-239 | | | | |
| 0.200 | 5.08 | WFS 9200-239 | | | | |
| 0.210 | 5.33 | WFS 9210-239 | | | | |
| 0.220 | 5.59 | WFS 9220-239 | | | | |
| 0.230 | 5.84 | WFS 9230-239 | | | | |
| 0.240 | 6.10 | WFS 9240-239 | | | | |
| 0.250 | 6.35 | WFS 9250-239 | | | | |
| 0.260 | 6.60 | WFS 9260-239 | | | | |
| 0.270 | 6.86 | WFS 9270-239 | | | | |
| 0.280 | 7.11 | WFS 9280-239 | | | | |
| 0.290 | 7.37 | WFS 9290-239 | | | | |
| 0.300 | 7.62 | WFS 9300-239 | | | | |
| 0.325 | 8.26 | WFS 9325-239 | | | | |
| 0.350 | 8.89 | WFS 9350-239 | | | | |
| 0.375 | 9.53 | WFS 9375-239 | | | | |
| 0.400 | 10.16 | WFS 9400-239 | | | | |
| 0.425 | 10.80 | WFS 9425-239 | | | | |
| 0.500 | 12.70 | WFS 9500-239 | | | | |
| 0.525 | 13.34 | WFS 9525-239 | | | | |
| 0.550 | 13.97 | WFS 9550-239 | | | | |
| 0.575 | 14.61 | WFS 9575-239 | | | | |
| 0.600 | 15.24 | WFS 9600-239 | | | | |
| 0.625 | 15.88 | WFS 9625-239 | | | | |

"Safety pays the highest dividends.™"

5000 Main Street • P.O. Box 216
Drakes Branch, VA 23937-0216 USA

FAX 434-568-3421

Phone 434-568-3311
Toll Free 800-424-3311

WFS9xxx-248 XL KNOT MASTER™ EXTENDED LIFE CARBIDE

| L = 0.500" [12.7mm] T = 0.125" [3.18mm] TOP RELIEF 40° | | | | | | |
|--|-------------|-----------------|----------------------------|------------------------------------|--------------------------------|--------------------------------------|
| W (Kerf ") | W (Kerf mm) | PART# | 25-99 pcs. 100 Plus 20% | 100-499 pcs. BASE PRICE +10% | 500-4999 pcs. BASE PRICE | 5000+ pcs. BASE PRICE less 10% |
| 0.095 | 2.41 | WFS 9095-248 XL | Please Call for Price | | | |
| 0.100 | 2.54 | WFS 9100-248 XL | | | | |
| 0.110 | 2.79 | WFS 9110-248 XL | | | | |
| 0.120 | 3.05 | WFS 9120-248 XL | | | | |
| 0.125 | 3.18 | WFS 9125-248 XL | | | | |
| 0.130 | 3.30 | WFS 9130-248 XL | | | | |
| 0.140 | 3.56 | WFS 9140-248 XL | | | | |
| 0.145 | 3.68 | WFS 9145-248 XL | | | | |
| 0.150 | 3.81 | WFS 9150-248 XL | | | | |
| 0.160 | 4.06 | WFS 9160-248 XL | | | | |
| 0.165 | 4.19 | WFS 9165-248 XL | | | | |
| 0.170 | 4.32 | WFS 9170-248 XL | | | | |
| 0.180 | 4.57 | WFS 9180-248 XL | | | | |
| 0.190 | 4.83 | WFS 9190-248 XL | | | | |
| 0.200 | 5.08 | WFS 9200-248 XL | | | | |
| 0.210 | 5.33 | WFS 9210-248 XL | | | | |
| 0.220 | 5.59 | WFS 9220-248 XL | | | | |
| 0.230 | 5.84 | WFS 9230-248 XL | | | | |
| 0.240 | 6.10 | WFS 9240-248 XL | | | | |
| 0.250 | 6.35 | WFS 9250-248 XL | | | | |
| 0.260 | 6.60 | WFS 9260-248 XL | | | | |
| 0.270 | 6.86 | WFS 9270-248 XL | | | | |
| 0.280 | 7.11 | WFS 9280-248 XL | | | | |
| 0.290 | 7.37 | WFS 9290-248 XL | | | | |
| 0.300 | 7.62 | WFS 9300-248 XL | | | | |
| 0.325 | 8.26 | WFS 9325-248 XL | | | | |
| 0.350 | 8.89 | WFS 9350-248 XL | | | | |
| 0.375 | 9.53 | WFS 9375-248 XL | | | | |
| 0.400 | 10.16 | WFS 9400-248 XL | | | | |
| 0.425 | 10.80 | WFS 9425-248 XL | | | | |
| 0.500 | 12.70 | WFS 9500-248 XL | | | | |
| 0.525 | 13.34 | WFS 9525-248 XL | | | | |
| 0.550 | 13.97 | WFS 9550-248 XL | | | | |
| 0.575 | 14.61 | WFS 9575-248 XL | | | | |
| 0.600 | 15.24 | WFS 9600-248 XL | | | | |
| 0.625 | 15.88 | WFS 9625-248 XL | | | | |

"Safety pays the highest dividends.™"

5000 Main Street • P.O. Box 216
Drakes Branch, VA 23937-0216 USA

FAX 434-568-3421

Phone 434-568-3311
Toll Free 800-424-3311

WFS9xxx-249 KNOT MASTER™ CARBIDE SAW TIPS

| L = 0.500" [12.7mm] T = 0.125" [3.18mm] TOP RELIEF 40° | | | | | | |
|--|-------------|--------------|----------------------------|------------------------------------|--------------------------------|--------------------------------------|
| W (Kerf ") | W (Kerf mm) | PART# | 25-99 pcs. 100 Plus 20% | 100-499 pcs. BASE PRICE +10% | 500-4999 pcs. BASE PRICE | 5000+ pcs. BASE PRICE less 10% |
| 0.095 | 2.41 | WFS 9095-249 | Please Call for Price | | | |
| 0.100 | 2.54 | WFS 9100-249 | | | | |
| 0.110 | 2.79 | WFS 9110-249 | | | | |
| 0.120 | 3.05 | WFS 9120-249 | | | | |
| 0.125 | 3.18 | WFS 9125-249 | | | | |
| 0.130 | 3.30 | WFS 9130-249 | | | | |
| 0.140 | 3.56 | WFS 9140-249 | | | | |
| 0.145 | 3.68 | WFS 9145-249 | | | | |
| 0.150 | 3.81 | WFS 9150-249 | | | | |
| 0.160 | 4.06 | WFS 9160-249 | | | | |
| 0.165 | 4.19 | WFS 9165-249 | | | | |
| 0.170 | 4.32 | WFS 9170-249 | | | | |
| 0.180 | 4.57 | WFS 9180-249 | | | | |
| 0.190 | 4.83 | WFS 9190-249 | | | | |
| 0.200 | 5.08 | WFS 9200-249 | | | | |
| 0.210 | 5.33 | WFS 9210-249 | | | | |
| 0.220 | 5.59 | WFS 9220-249 | | | | |
| 0.230 | 5.84 | WFS 9230-249 | | | | |
| 0.240 | 6.10 | WFS 9240-249 | | | | |
| 0.250 | 6.35 | WFS 9250-249 | | | | |
| 0.260 | 6.60 | WFS 9260-249 | | | | |
| 0.270 | 6.86 | WFS 9270-249 | | | | |
| 0.280 | 7.11 | WFS 9280-249 | | | | |
| 0.290 | 7.37 | WFS 9290-249 | | | | |
| 0.300 | 7.62 | WFS 9300-249 | | | | |
| 0.325 | 8.26 | WFS 9325-249 | | | | |
| 0.350 | 8.89 | WFS 9350-249 | | | | |
| 0.375 | 9.53 | WFS 9375-249 | | | | |
| 0.400 | 10.16 | WFS 9400-249 | | | | |
| 0.425 | 10.80 | WFS 9425-249 | | | | |
| 0.500 | 12.70 | WFS 9500-249 | | | | |
| 0.525 | 13.34 | WFS 9525-249 | | | | |
| 0.550 | 13.97 | WFS 9550-249 | | | | |
| 0.575 | 14.61 | WFS 9575-249 | | | | |
| 0.600 | 15.24 | WFS 9600-249 | | | | |
| 0.625 | 15.88 | WFS 9625-249 | | | | |

"Safety pays the highest dividends.™"

5000 Main Street • P.O. Box 216
Drakes Branch, VA 23937-0216 USA

FAX 434-568-3421

Phone 434-568-3311
Toll Free 800-424-3311

WFSH9xxx-233 NI-MATRIX II™ NAIL CUTTING CARBIDE

| L = 0.500" [12.7mm] T = 0.125" [3.18mm] TOP RELIEF 50° | | | | | | |
|--|-------------|---------------|----------------------------|------------------------------------|--------------------------------|--------------------------------------|
| W (Kerf ") | W (Kerf mm) | PART# | 25-99 pcs. 100 Plus 20% | 100-499 pcs. BASE PRICE +10% | 500-4999 pcs. BASE PRICE | 5000+ pcs. BASE PRICE less 10% |
| 0.095 | 2.41 | WFSH 9095-233 | Please Call for Price | | | |
| 0.100 | 2.54 | WFSH 9100-233 | | | | |
| 0.110 | 2.79 | WFSH 9110-233 | | | | |
| 0.120 | 3.05 | WFSH 9120-233 | | | | |
| 0.125 | 3.18 | WFSH 9125-233 | | | | |
| 0.130 | 3.30 | WFSH 9130-233 | | | | |
| 0.140 | 3.56 | WFSH 9140-233 | | | | |
| 0.145 | 3.68 | WFSH 9145-233 | | | | |
| 0.150 | 3.81 | WFSH 9150-233 | | | | |
| 0.160 | 4.06 | WFSH 9160-233 | | | | |
| 0.165 | 4.19 | WFSH 9165-233 | | | | |
| 0.170 | 4.32 | WFSH 9170-233 | | | | |
| 0.180 | 4.57 | WFSH 9180-233 | | | | |
| 0.190 | 4.83 | WFSH 9190-233 | | | | |
| 0.200 | 5.08 | WFSH 9200-233 | | | | |
| 0.210 | 5.33 | WFSH 9210-233 | | | | |
| 0.220 | 5.59 | WFSH 9220-233 | | | | |
| 0.230 | 5.84 | WFSH 9230-233 | | | | |
| 0.240 | 6.10 | WFSH 9240-233 | | | | |
| 0.250 | 6.35 | WFSH 9250-233 | | | | |
| 0.260 | 6.60 | WFSH 9260-233 | | | | |
| 0.270 | 6.86 | WFSH 9270-233 | | | | |
| 0.280 | 7.11 | WFSH 9280-233 | | | | |
| 0.290 | 7.37 | WFSH 9290-233 | | | | |
| 0.300 | 7.62 | WFSH 9300-233 | | | | |
| 0.325 | 8.26 | WFSH 9325-233 | | | | |
| 0.350 | 8.89 | WFSH 9350-233 | | | | |
| 0.375 | 9.53 | WFSH 9375-233 | | | | |
| 0.400 | 10.16 | WFSH 9400-233 | | | | |
| 0.425 | 10.80 | WFSH 9425-233 | | | | |
| 0.500 | 12.70 | WFSH 9500-233 | | | | |
| 0.525 | 13.34 | WFSH 9525-233 | | | | |
| 0.550 | 13.97 | WFSH 9550-233 | | | | |
| 0.575 | 14.61 | WFSH 9575-233 | | | | |
| 0.600 | 15.24 | WFSH 9600-233 | | | | |
| 0.625 | 15.88 | WFSH 9625-233 | | | | |

"Safety pays the highest dividends.™"

WFSH9xxx-236 METAL MUNCHER™ NON-FERROUS CUTTING

| L = 0.500" [12.7mm] T = 0.125" [3.18mm] TOP RELIEF 50° | | | | | | |
|--|-------------|---------------|----------------------------|------------------------------------|--------------------------------|--------------------------------------|
| W (Kerf ") | W (Kerf mm) | PART# | 25-99 pcs. 100 Plus 20% | 100-499 pcs. BASE PRICE +10% | 500-4999 pcs. BASE PRICE | 5000+ pcs. BASE PRICE less 10% |
| 0.095 | 2.41 | WFSH 9095-236 | Please Call for Price | | | |
| 0.100 | 2.54 | WFSH 9100-236 | | | | |
| 0.110 | 2.79 | WFSH 9110-236 | | | | |
| 0.120 | 3.05 | WFSH 9120-236 | | | | |
| 0.125 | 3.18 | WFSH 9125-236 | | | | |
| 0.130 | 3.30 | WFSH 9130-236 | | | | |
| 0.140 | 3.56 | WFSH 9140-236 | | | | |
| 0.145 | 3.68 | WFSH 9145-236 | | | | |
| 0.150 | 3.81 | WFSH 9150-236 | | | | |
| 0.160 | 4.06 | WFSH 9160-236 | | | | |
| 0.165 | 4.19 | WFSH 9165-236 | | | | |
| 0.170 | 4.32 | WFSH 9170-236 | | | | |
| 0.180 | 4.57 | WFSH 9180-236 | | | | |
| 0.190 | 4.83 | WFSH 9190-236 | | | | |
| 0.200 | 5.08 | WFSH 9200-236 | | | | |
| 0.210 | 5.33 | WFSH 9210-236 | | | | |
| 0.220 | 5.59 | WFSH 9220-236 | | | | |
| 0.230 | 5.84 | WFSH 9230-236 | | | | |
| 0.240 | 6.10 | WFSH 9240-236 | | | | |
| 0.250 | 6.35 | WFSH 9250-236 | | | | |
| 0.260 | 6.60 | WFSH 9260-236 | | | | |
| 0.270 | 6.86 | WFSH 9270-236 | | | | |
| 0.280 | 7.11 | WFSH 9280-236 | | | | |
| 0.290 | 7.37 | WFSH 9290-236 | | | | |
| 0.300 | 7.62 | WFSH 9300-236 | | | | |
| 0.325 | 8.26 | WFSH 9325-236 | | | | |
| 0.350 | 8.89 | WFSH 9350-236 | | | | |
| 0.375 | 9.53 | WFSH 9375-236 | | | | |
| 0.400 | 10.16 | WFSH 9400-236 | | | | |
| 0.425 | 10.80 | WFSH 9425-236 | | | | |
| 0.500 | 12.70 | WFSH 9500-236 | | | | |
| 0.525 | 13.34 | WFSH 9525-236 | | | | |
| 0.550 | 13.97 | WFSH 9550-236 | | | | |
| 0.575 | 14.61 | WFSH 9575-236 | | | | |
| 0.600 | 15.24 | WFSH 9600-236 | | | | |
| 0.625 | 15.88 | WFSH 9625-236 | | | | |

"Safety pays the highest dividends.™"

5000 Main Street • P.O. Box 216
Drakes Branch, VA 23937-0216 USA

FAX 434-568-3421

Phone 434-568-3311
Toll Free 800-424-3311

WFSH9xxx-239 METAL MUNCHER™ FERROUS CUTTING

| L = 0.500" [12.7mm] T = 0.125" [3.18mm] TOP RELIEF 50° | | | | | | |
|--|-------------|---------------|----------------------------|------------------------------------|--------------------------------|--------------------------------------|
| W (Kerf ") | W (Kerf mm) | PART# | 25-99 pcs. 100 Plus 20% | 100-499 pcs. BASE PRICE +10% | 500-4999 pcs. BASE PRICE | 5000+ pcs. BASE PRICE less 10% |
| 0.095 | 2.41 | WFSH 9095-239 | Please Call for Price | | | |
| 0.100 | 2.54 | WFSH 9100-239 | | | | |
| 0.110 | 2.79 | WFSH 9110-239 | | | | |
| 0.120 | 3.05 | WFSH 9120-239 | | | | |
| 0.125 | 3.18 | WFSH 9125-239 | | | | |
| 0.130 | 3.30 | WFSH 9130-239 | | | | |
| 0.140 | 3.56 | WFSH 9140-239 | | | | |
| 0.145 | 3.68 | WFSH 9145-239 | | | | |
| 0.150 | 3.81 | WFSH 9150-239 | | | | |
| 0.160 | 4.06 | WFSH 9160-239 | | | | |
| 0.165 | 4.19 | WFSH 9165-239 | | | | |
| 0.170 | 4.32 | WFSH 9170-239 | | | | |
| 0.180 | 4.57 | WFSH 9180-239 | | | | |
| 0.190 | 4.83 | WFSH 9190-239 | | | | |
| 0.200 | 5.08 | WFSH 9200-239 | | | | |
| 0.210 | 5.33 | WFSH 9210-239 | | | | |
| 0.220 | 5.59 | WFSH 9220-239 | | | | |
| 0.230 | 5.84 | WFSH 9230-239 | | | | |
| 0.240 | 6.10 | WFSH 9240-239 | | | | |
| 0.250 | 6.35 | WFSH 9250-239 | | | | |
| 0.260 | 6.60 | WFSH 9260-239 | | | | |
| 0.270 | 6.86 | WFSH 9270-239 | | | | |
| 0.280 | 7.11 | WFSH 9280-239 | | | | |
| 0.290 | 7.37 | WFSH 9290-239 | | | | |
| 0.300 | 7.62 | WFSH 9300-239 | | | | |
| 0.325 | 8.26 | WFSH 9325-239 | | | | |
| 0.350 | 8.89 | WFSH 9350-239 | | | | |
| 0.375 | 9.53 | WFSH 9375-239 | | | | |
| 0.400 | 10.16 | WFSH 9400-239 | | | | |
| 0.425 | 10.80 | WFSH 9425-239 | | | | |
| 0.500 | 12.70 | WFSH 9500-239 | | | | |
| 0.525 | 13.34 | WFSH 9525-239 | | | | |
| 0.550 | 13.97 | WFSH 9550-239 | | | | |
| 0.575 | 14.61 | WFSH 9575-239 | | | | |
| 0.600 | 15.24 | WFSH 9600-239 | | | | |
| 0.625 | 15.88 | WFSH 9625-239 | | | | |

"Safety pays the highest dividends.™"

WFSH9xxx-248 XL KNOT MASTER™ EXTENDED LIFE CARBIDE

| L = 0.500" [12.7mm] T = 0.125" [3.18mm] TOP RELIEF 50° | | | | | | |
|--|-------------|------------------|----------------------------|------------------------------------|--------------------------------|--------------------------------------|
| W (Kerf ") | W (Kerf mm) | PART# | 25-99 pcs. 100 Plus 20% | 100-499 pcs. BASE PRICE +10% | 500-4999 pcs. BASE PRICE | 5000+ pcs. BASE PRICE less 10% |
| 0.095 | 2.41 | WFSH 9095-248 XL | Please Call for Price | | | |
| 0.100 | 2.54 | WFSH 9100-248 XL | | | | |
| 0.110 | 2.79 | WFSH 9110-248 XL | | | | |
| 0.120 | 3.05 | WFSH 9120-248 XL | | | | |
| 0.125 | 3.18 | WFSH 9125-248 XL | | | | |
| 0.130 | 3.30 | WFSH 9130-248 XL | | | | |
| 0.140 | 3.56 | WFSH 9140-248 XL | | | | |
| 0.145 | 3.68 | WFSH 9145-248 XL | | | | |
| 0.150 | 3.81 | WFSH 9150-248 XL | | | | |
| 0.160 | 4.06 | WFSH 9160-248 XL | | | | |
| 0.165 | 4.19 | WFSH 9165-248 XL | | | | |
| 0.170 | 4.32 | WFSH 9170-248 XL | | | | |
| 0.180 | 4.57 | WFSH 9180-248 XL | | | | |
| 0.190 | 4.83 | WFSH 9190-248 XL | | | | |
| 0.200 | 5.08 | WFSH 9200-248 XL | | | | |
| 0.210 | 5.33 | WFSH 9210-248 XL | | | | |
| 0.220 | 5.59 | WFSH 9220-248 XL | | | | |
| 0.230 | 5.84 | WFSH 9230-248 XL | | | | |
| 0.240 | 6.10 | WFSH 9240-248 XL | | | | |
| 0.250 | 6.35 | WFSH 9250-248 XL | | | | |
| 0.260 | 6.60 | WFSH 9260-248 XL | | | | |
| 0.270 | 6.86 | WFSH 9270-248 XL | | | | |
| 0.280 | 7.11 | WFSH 9280-248 XL | | | | |
| 0.290 | 7.37 | WFSH 9290-248 XL | | | | |
| 0.300 | 7.62 | WFSH 9300-248 XL | | | | |
| 0.325 | 8.26 | WFSH 9325-248 XL | | | | |
| 0.350 | 8.89 | WFSH 9350-248 XL | | | | |
| 0.375 | 9.53 | WFSH 9375-248 XL | | | | |
| 0.400 | 10.16 | WFSH 9400-248 XL | | | | |
| 0.425 | 10.80 | WFSH 9425-248 XL | | | | |
| 0.500 | 12.70 | WFSH 9500-248 XL | | | | |
| 0.525 | 13.34 | WFSH 9525-248 XL | | | | |
| 0.550 | 13.97 | WFSH 9550-248 XL | | | | |
| 0.575 | 14.61 | WFSH 9575-248 XL | | | | |

"Safety pays the highest dividends.™"

WFSH9xxx-249 KNOT MASTER™ CARBIDE SAW TIPS

| L = 0.500" [12.7mm] T = 0.125" [3.18mm] TOP RELIEF 50° | | | | | | |
|--|-------------|---------------|----------------------------|------------------------------------|--------------------------------|--------------------------------------|
| W (Kerf ") | W (Kerf mm) | PART# | 25-99 pcs. 100 Plus 20% | 100-499 pcs. BASE PRICE +10% | 500-4999 pcs. BASE PRICE | 5000+ pcs. BASE PRICE less 10% |
| 0.095 | 2.41 | WFSH 9095-249 | Please Call for Price | | | |
| 0.100 | 2.54 | WFSH 9100-249 | | | | |
| 0.110 | 2.79 | WFSH 9110-249 | | | | |
| 0.120 | 3.05 | WFSH 9120-249 | | | | |
| 0.125 | 3.18 | WFSH 9125-249 | | | | |
| 0.130 | 3.30 | WFSH 9130-249 | | | | |
| 0.140 | 3.56 | WFSH 9140-249 | | | | |
| 0.145 | 3.68 | WFSH 9145-249 | | | | |
| 0.150 | 3.81 | WFSH 9150-249 | | | | |
| 0.160 | 4.06 | WFSH 9160-249 | | | | |
| 0.165 | 4.19 | WFSH 9165-249 | | | | |
| 0.170 | 4.32 | WFSH 9170-249 | | | | |
| 0.180 | 4.57 | WFSH 9180-249 | | | | |
| 0.190 | 4.83 | WFSH 9190-249 | | | | |
| 0.200 | 5.08 | WFSH 9200-249 | | | | |
| 0.210 | 5.33 | WFSH 9210-249 | | | | |
| 0.220 | 5.59 | WFSH 9220-249 | | | | |
| 0.230 | 5.84 | WFSH 9230-249 | | | | |
| 0.240 | 6.10 | WFSH 9240-249 | | | | |
| 0.250 | 6.35 | WFSH 9250-249 | | | | |
| 0.260 | 6.60 | WFSH 9260-249 | | | | |
| 0.270 | 6.86 | WFSH 9270-249 | | | | |
| 0.280 | 7.11 | WFSH 9280-249 | | | | |
| 0.290 | 7.37 | WFSH 9290-249 | | | | |
| 0.300 | 7.62 | WFSH 9300-249 | | | | |
| 0.325 | 8.26 | WFSH 9325-249 | | | | |
| 0.350 | 8.89 | WFSH 9350-249 | | | | |
| 0.375 | 9.53 | WFSH 9375-249 | | | | |
| 0.400 | 10.16 | WFSH 9400-249 | | | | |
| 0.425 | 10.80 | WFSH 9425-249 | | | | |
| 0.500 | 12.70 | WFSH 9500-249 | | | | |
| 0.525 | 13.34 | WFSH 9525-249 | | | | |
| 0.550 | 13.97 | WFSH 9550-249 | | | | |
| 0.575 | 14.61 | WFSH 9575-249 | | | | |
| 0.600 | 15.24 | WFSH 9600-249 | | | | |
| 0.625 | 15.88 | WFSH 9625-249 | | | | |

"Safety pays the highest dividends.™"

5000 Main Street • P.O. Box 216
Drakes Branch, VA 23937-0216 USA

FAX 434-568-3421

Phone 434-568-3311
Toll Free 800-424-3311

WG7xxx-233 NI-MATRIX II™ NAIL CUTTING CARBIDE

| L = 0.375" [9.53mm] T = 0.125" [3.18mm] TOP RELIEF 30° | | | | | | |
|--|-------------|-------------|----------------------------|------------------------------------|--------------------------------|--------------------------------------|
| W (Kerf ") | W (Kerf mm) | PART# | 25-99 pcs. 100 Plus 20% | 100-499 pcs. BASE PRICE +10% | 500-4999 pcs. BASE PRICE | 5000+ pcs. BASE PRICE less 10% |
| 0.095 | 2.41 | WG 7095-233 | Please Call for Price | | | |
| 0.100 | 2.54 | WG 7100-233 | | | | |
| 0.110 | 2.79 | WG 7110-233 | | | | |
| 0.120 | 3.05 | WG 7120-233 | | | | |
| 0.125 | 3.18 | WG 7125-233 | | | | |
| 0.130 | 3.30 | WG 7130-233 | | | | |
| 0.140 | 3.56 | WG 7140-233 | | | | |
| 0.145 | 3.68 | WG 7145-233 | | | | |
| 0.150 | 3.81 | WG 7150-233 | | | | |
| 0.160 | 4.06 | WG 7160-233 | | | | |
| 0.165 | 4.19 | WG 7165-233 | | | | |
| 0.170 | 4.32 | WG 7170-233 | | | | |
| 0.180 | 4.57 | WG 7180-233 | | | | |
| 0.190 | 4.83 | WG 7190-233 | | | | |
| 0.200 | 5.08 | WG 7200-233 | | | | |
| 0.210 | 5.33 | WG 7210-233 | | | | |
| 0.220 | 5.59 | WG 7220-233 | | | | |
| 0.230 | 5.84 | WG 7230-233 | | | | |
| 0.240 | 6.10 | WG 7240-233 | | | | |
| 0.250 | 6.35 | WG 7250-233 | | | | |
| 0.260 | 6.60 | WG 7260-233 | | | | |
| 0.270 | 6.86 | WG 7270-233 | | | | |
| 0.280 | 7.11 | WG 7280-233 | | | | |
| 0.290 | 7.37 | WG 7290-233 | | | | |
| 0.300 | 7.62 | WG 7300-233 | | | | |
| 0.325 | 8.26 | WG 7325-233 | | | | |
| 0.350 | 8.89 | WG 7350-233 | | | | |
| 0.375 | 9.53 | WG 7375-233 | | | | |
| 0.400 | 10.16 | WG 7400-233 | | | | |
| 0.425 | 10.80 | WG 7425-233 | | | | |
| 0.500 | 12.70 | WG 7500-233 | | | | |
| 0.525 | 13.34 | WG 7525-233 | | | | |
| 0.550 | 13.97 | WG 7550-233 | | | | |
| 0.575 | 14.61 | WG 7575-233 | | | | |
| 0.600 | 15.24 | WG 7600-233 | | | | |
| 0.625 | 15.88 | WG 7625-233 | | | | |

"Safety pays the highest dividends.™"

WG9xxx-233 NI-MATRIX II™ NAIL CUTTING CARBIDE

| L = 0.375" [9.53mm] T = 0.125" [3.18mm] TOP RELIEF 30° | | | | | | |
|--|-------------|-------------|----------------------------|------------------------------------|--------------------------------|--------------------------------------|
| W (Kerf ") | W (Kerf mm) | PART# | 25-99 pcs. 100 Plus 20% | 100-499 pcs. BASE PRICE +10% | 500-4999 pcs. BASE PRICE | 5000+ pcs. BASE PRICE less 10% |
| 0.095 | 2.41 | WG 9095-233 | Please Call for Price | | | |
| 0.100 | 2.54 | WG 9100-233 | | | | |
| 0.110 | 2.79 | WG 9110-233 | | | | |
| 0.120 | 3.05 | WG 9120-233 | | | | |
| 0.125 | 3.18 | WG 9125-233 | | | | |
| 0.130 | 3.30 | WG 9130-233 | | | | |
| 0.140 | 3.56 | WG 9140-233 | | | | |
| 0.145 | 3.68 | WG 9145-233 | | | | |
| 0.150 | 3.81 | WG 9150-233 | | | | |
| 0.160 | 4.06 | WG 9160-233 | | | | |
| 0.165 | 4.19 | WG 9165-233 | | | | |
| 0.170 | 4.32 | WG 9170-233 | | | | |
| 0.180 | 4.57 | WG 9180-233 | | | | |
| 0.190 | 4.83 | WG 9190-233 | | | | |
| 0.200 | 5.08 | WG 9200-233 | | | | |
| 0.210 | 5.33 | WG 9210-233 | | | | |
| 0.220 | 5.59 | WG 9220-233 | | | | |
| 0.230 | 5.84 | WG 9230-233 | | | | |
| 0.240 | 6.10 | WG 9240-233 | | | | |
| 0.250 | 6.35 | WG 9250-233 | | | | |
| 0.260 | 6.60 | WG 9260-233 | | | | |
| 0.270 | 6.86 | WG 9270-233 | | | | |
| 0.280 | 7.11 | WG 9280-233 | | | | |
| 0.290 | 7.37 | WG 9290-233 | | | | |
| 0.300 | 7.62 | WG 9300-233 | | | | |
| 0.325 | 8.26 | WG 9325-233 | | | | |
| 0.350 | 8.89 | WG 9350-233 | | | | |
| 0.375 | 9.53 | WG 9375-233 | | | | |
| 0.400 | 10.16 | WG 9400-233 | | | | |
| 0.425 | 10.80 | WG 9425-233 | | | | |
| 0.500 | 12.70 | WG 9500-233 | | | | |
| 0.525 | 13.34 | WG 9525-233 | | | | |
| 0.550 | 13.97 | WG 9550-233 | | | | |
| 0.575 | 14.61 | WG 9575-233 | | | | |
| 0.600 | 15.24 | WG 9600-233 | | | | |
| 0.625 | 15.88 | WG 9625-233 | | | | |

"Safety pays the highest dividends.™"

5000 Main Street • P.O. Box 216
Drakes Branch, VA 23937-0216 USA

FAX 434-568-3421

Phone 434-568-3311
Toll Free 800-424-3311

WG7xxx-236 METAL MUNCHER™ NON-FERROUS CUTTING

| L = 0.375" [9.53mm] T = 0.125" [3.18mm] TOP RELIEF 30° | | | | | | |
|--|-------------|-------------|----------------------------|------------------------------------|--------------------------------|--------------------------------------|
| W (Kerf ") | W (Kerf mm) | PART# | 25-99 pcs. 100 Plus 20% | 100-499 pcs. BASE PRICE +10% | 500-4999 pcs. BASE PRICE | 5000+ pcs. BASE PRICE less 10% |
| 0.095 | 2.41 | WG 7095-236 | Please Call for Price | | | |
| 0.100 | 2.54 | WG 7100-236 | | | | |
| 0.110 | 2.79 | WG 7110-236 | | | | |
| 0.120 | 3.05 | WG 7120-236 | | | | |
| 0.125 | 3.18 | WG 7125-236 | | | | |
| 0.130 | 3.30 | WG 7130-236 | | | | |
| 0.140 | 3.56 | WG 7140-236 | | | | |
| 0.145 | 3.68 | WG 7145-236 | | | | |
| 0.150 | 3.81 | WG 7150-236 | | | | |
| 0.160 | 4.06 | WG 7160-236 | | | | |
| 0.165 | 4.19 | WG 7165-236 | | | | |
| 0.170 | 4.32 | WG 7170-236 | | | | |
| 0.180 | 4.57 | WG 7180-236 | | | | |
| 0.190 | 4.83 | WG 7190-236 | | | | |
| 0.200 | 5.08 | WG 7200-236 | | | | |
| 0.210 | 5.33 | WG 7210-236 | | | | |
| 0.220 | 5.59 | WG 7220-236 | | | | |
| 0.230 | 5.84 | WG 7230-236 | | | | |
| 0.240 | 6.10 | WG 7240-236 | | | | |
| 0.250 | 6.35 | WG 7250-236 | | | | |
| 0.260 | 6.60 | WG 7260-236 | | | | |
| 0.270 | 6.86 | WG 7270-236 | | | | |
| 0.280 | 7.11 | WG 7280-236 | | | | |
| 0.290 | 7.37 | WG 7290-236 | | | | |
| 0.300 | 7.62 | WG 7300-236 | | | | |
| 0.325 | 8.26 | WG 7325-236 | | | | |
| 0.350 | 8.89 | WG 7350-236 | | | | |
| 0.375 | 9.53 | WG 7375-236 | | | | |
| 0.400 | 10.16 | WG 7400-236 | | | | |
| 0.425 | 10.80 | WG 7425-236 | | | | |
| 0.500 | 12.70 | WG 7500-236 | | | | |
| 0.525 | 13.34 | WG 7525-236 | | | | |
| 0.550 | 13.97 | WG 7550-236 | | | | |
| 0.575 | 14.61 | WG 7575-236 | | | | |
| 0.600 | 15.24 | WG 7600-236 | | | | |
| 0.625 | 15.88 | WG 7625-236 | | | | |

"Safety pays the highest dividends.™"

5000 Main Street • P.O. Box 216
Drakes Branch, VA 23937-0216 USA

FAX 434-568-3421

Phone 434-568-3311
Toll Free 800-424-3311

WG7xxx-239 METAL MUNCHER™ FERROUS CUTTING

| L = 0.375" [9.53mm] T = 0.125" [3.18mm] TOP RELIEF 30° | | | | | | |
|--|-------------|-------------|----------------------------|------------------------------------|--------------------------------|--------------------------------------|
| W (Kerf ") | W (Kerf mm) | PART# | 25-99 pcs. 100 Plus 20% | 100-499 pcs. BASE PRICE +10% | 500-4999 pcs. BASE PRICE | 5000+ pcs. BASE PRICE less 10% |
| 0.095 | 2.41 | WG 7095-239 | Please Call for Price | | | |
| 0.100 | 2.54 | WG 7100-239 | | | | |
| 0.110 | 2.79 | WG 7110-239 | | | | |
| 0.120 | 3.05 | WG 7120-239 | | | | |
| 0.125 | 3.18 | WG 7125-239 | | | | |
| 0.130 | 3.30 | WG 7130-239 | | | | |
| 0.140 | 3.56 | WG 7140-239 | | | | |
| 0.145 | 3.68 | WG 7145-239 | | | | |
| 0.150 | 3.81 | WG 7150-239 | | | | |
| 0.160 | 4.06 | WG 7160-239 | | | | |
| 0.165 | 4.19 | WG 7165-239 | | | | |
| 0.170 | 4.32 | WG 7170-239 | | | | |
| 0.180 | 4.57 | WG 7180-239 | | | | |
| 0.190 | 4.83 | WG 7190-239 | | | | |
| 0.200 | 5.08 | WG 7200-239 | | | | |
| 0.210 | 5.33 | WG 7210-239 | | | | |
| 0.220 | 5.59 | WG 7220-239 | | | | |
| 0.230 | 5.84 | WG 7230-239 | | | | |
| 0.240 | 6.10 | WG 7240-239 | | | | |
| 0.250 | 6.35 | WG 7250-239 | | | | |
| 0.260 | 6.60 | WG 7260-239 | | | | |
| 0.270 | 6.86 | WG 7270-239 | | | | |
| 0.280 | 7.11 | WG 7280-239 | | | | |
| 0.290 | 7.37 | WG 7290-239 | | | | |
| 0.300 | 7.62 | WG 7300-239 | | | | |
| 0.325 | 8.26 | WG 7325-239 | | | | |
| 0.350 | 8.89 | WG 7350-239 | | | | |
| 0.375 | 9.53 | WG 7375-239 | | | | |
| 0.400 | 10.16 | WG 7400-239 | | | | |
| 0.425 | 10.80 | WG 7425-239 | | | | |
| 0.500 | 12.70 | WG 7500-239 | | | | |
| 0.525 | 13.34 | WG 7525-239 | | | | |
| 0.550 | 13.97 | WG 7550-239 | | | | |
| 0.575 | 14.61 | WG 7575-239 | | | | |
| 0.600 | 15.24 | WG 7600-239 | | | | |
| 0.625 | 15.88 | WG 7625-239 | | | | |

"Safety pays the highest dividends.™"

WG7xxx-248 XL KNOT MASTER™ EXTENDED LIFE CARBIDE

| L = 0.375" [9.53mm] T = 0.125" [3.18mm] TOP RELIEF 30° | | | | | | |
|--|-------------|----------------|----------------------------|------------------------------------|--------------------------------|--------------------------------------|
| W (Kerf ") | W (Kerf mm) | PART# | 25-99 pcs. 100 Plus 20% | 100-499 pcs. BASE PRICE +10% | 500-4999 pcs. BASE PRICE | 5000+ pcs. BASE PRICE less 10% |
| 0.095 | 2.41 | WG 7095-248 XL | Please Call for Price | | | |
| 0.100 | 2.54 | WG 7100-248 XL | | | | |
| 0.110 | 2.79 | WG 7110-248 XL | | | | |
| 0.120 | 3.05 | WG 7120-248 XL | | | | |
| 0.125 | 3.18 | WG 7125-248 XL | | | | |
| 0.130 | 3.30 | WG 7130-248 XL | | | | |
| 0.140 | 3.56 | WG 7140-248 XL | | | | |
| 0.145 | 3.68 | WG 7145-248 XL | | | | |
| 0.150 | 3.81 | WG 7150-248 XL | | | | |
| 0.160 | 4.06 | WG 7160-248 XL | | | | |
| 0.165 | 4.19 | WG 7165-248 XL | | | | |
| 0.170 | 4.32 | WG 7170-248 XL | | | | |
| 0.180 | 4.57 | WG 7180-248 XL | | | | |
| 0.190 | 4.83 | WG 7190-248 XL | | | | |
| 0.200 | 5.08 | WG 7200-248 XL | | | | |
| 0.210 | 5.33 | WG 7210-248 XL | | | | |
| 0.220 | 5.59 | WG 7220-248 XL | | | | |
| 0.230 | 5.84 | WG 7230-248 XL | | | | |
| 0.240 | 6.10 | WG 7240-248 XL | | | | |
| 0.250 | 6.35 | WG 7250-248 XL | | | | |
| 0.260 | 6.60 | WG 7260-248 XL | | | | |
| 0.270 | 6.86 | WG 7270-248 XL | | | | |
| 0.280 | 7.11 | WG 7280-248 XL | | | | |
| 0.290 | 7.37 | WG 7290-248 XL | | | | |
| 0.300 | 7.62 | WG 7300-248 XL | | | | |
| 0.325 | 8.26 | WG 7325-248 XL | | | | |
| 0.350 | 8.89 | WG 7350-248 XL | | | | |
| 0.375 | 9.53 | WG 7375-248 XL | | | | |
| 0.400 | 10.16 | WG 7400-248 XL | | | | |
| 0.425 | 10.80 | WG 7425-248 XL | | | | |
| 0.500 | 12.70 | WG 7500-248 XL | | | | |
| 0.525 | 13.34 | WG 7525-248 XL | | | | |
| 0.550 | 13.97 | WG 7550-248 XL | | | | |
| 0.575 | 14.61 | WG 7575-248 XL | | | | |
| 0.600 | 15.24 | WG 7600-248 XL | | | | |
| 0.625 | 15.88 | WG 7625-248 XL | | | | |

"Safety pays the highest dividends.™"

WG7xxx-249 KNOT MASTER™ CARBIDE SAW TIPS

| L = 0.375" [9.53mm] T = 0.125" [3.18mm] TOP RELIEF 30° | | | | | | |
|--|-------------|-------------|----------------------------|------------------------------------|--------------------------------|--------------------------------------|
| W (Kerf ") | W (Kerf mm) | PART# | 25-99 pcs. 100 Plus 20% | 100-499 pcs. BASE PRICE +10% | 500-4999 pcs. BASE PRICE | 5000+ pcs. BASE PRICE less 10% |
| 0.095 | 2.41 | WG 7095-249 | Please Call for Price | | | |
| 0.100 | 2.54 | WG 7100-249 | | | | |
| 0.110 | 2.79 | WG 7110-249 | | | | |
| 0.120 | 3.05 | WG 7120-249 | | | | |
| 0.125 | 3.18 | WG 7125-249 | | | | |
| 0.130 | 3.30 | WG 7130-249 | | | | |
| 0.140 | 3.56 | WG 7140-249 | | | | |
| 0.145 | 3.68 | WG 7145-249 | | | | |
| 0.150 | 3.81 | WG 7150-249 | | | | |
| 0.160 | 4.06 | WG 7160-249 | | | | |
| 0.165 | 4.19 | WG 7165-249 | | | | |
| 0.170 | 4.32 | WG 7170-249 | | | | |
| 0.180 | 4.57 | WG 7180-249 | | | | |
| 0.190 | 4.83 | WG 7190-249 | | | | |
| 0.200 | 5.08 | WG 7200-249 | | | | |
| 0.210 | 5.33 | WG 7210-249 | | | | |
| 0.220 | 5.59 | WG 7220-249 | | | | |
| 0.230 | 5.84 | WG 7230-249 | | | | |
| 0.240 | 6.10 | WG 7240-249 | | | | |
| 0.250 | 6.35 | WG 7250-249 | | | | |
| 0.260 | 6.60 | WG 7260-249 | | | | |
| 0.270 | 6.86 | WG 7270-249 | | | | |
| 0.280 | 7.11 | WG 7280-249 | | | | |
| 0.290 | 7.37 | WG 7290-249 | | | | |
| 0.300 | 7.62 | WG 7300-249 | | | | |
| 0.325 | 8.26 | WG 7325-249 | | | | |
| 0.350 | 8.89 | WG 7350-249 | | | | |
| 0.375 | 9.53 | WG 7375-249 | | | | |
| 0.400 | 10.16 | WG 7400-249 | | | | |
| 0.425 | 10.80 | WG 7425-249 | | | | |
| 0.500 | 12.70 | WG 7500-249 | | | | |
| 0.525 | 13.34 | WG 7525-249 | | | | |
| 0.550 | 13.97 | WG 7550-249 | | | | |
| 0.575 | 14.61 | WG 7575-249 | | | | |
| 0.600 | 15.24 | WG 7600-249 | | | | |
| 0.625 | 15.88 | WG 7625-249 | | | | |

"Safety pays the highest dividends.™"

WGC5xxx-233 KNOT MASTER™ CARBIDE SAW TIPS

| L = 0.375" [9.53mm] T = 0.125" [3.18mm] TOP RELIEF 8° | | | | | | |
|---|-------------|--------------|----------------------------|------------------------------------|--------------------------------|--------------------------------------|
| W (Kerf ") | W (Kerf mm) | PART# | 25-99 pcs. 100 Plus 20% | 100-499 pcs. BASE PRICE +10% | 500-4999 pcs. BASE PRICE | 5000+ pcs. BASE PRICE less 10% |
| 0.095 | 2.41 | WGC 5095-233 | Please Call for Price | | | |
| 0.100 | 2.54 | WGC 5100-233 | | | | |
| 0.110 | 2.79 | WGC 5110-233 | | | | |
| 0.120 | 3.05 | WGC 5120-233 | | | | |
| 0.125 | 3.18 | WGC 5125-233 | | | | |
| 0.130 | 3.30 | WGC 5130-233 | | | | |
| 0.140 | 3.56 | WGC 5140-233 | | | | |
| 0.145 | 3.68 | WGC 5145-233 | | | | |
| 0.150 | 3.81 | WGC 5150-233 | | | | |
| 0.160 | 4.06 | WGC 5160-233 | | | | |
| 0.165 | 4.19 | WGC 5165-233 | | | | |
| 0.170 | 4.32 | WGC 5170-233 | | | | |
| 0.180 | 4.57 | WGC 5180-233 | | | | |
| 0.190 | 4.83 | WGC 5190-233 | | | | |
| 0.200 | 5.08 | WGC 5200-233 | | | | |
| 0.210 | 5.33 | WGC 5210-233 | | | | |
| 0.220 | 5.59 | WGC 5220-233 | | | | |
| 0.230 | 5.84 | WGC 5230-233 | | | | |
| 0.240 | 6.10 | WGC 5240-233 | | | | |
| 0.250 | 6.35 | WGC 5250-233 | | | | |
| 0.260 | 6.60 | WGC 5260-233 | | | | |
| 0.270 | 6.86 | WGC 5270-233 | | | | |
| 0.280 | 7.11 | WGC 5280-233 | | | | |
| 0.290 | 7.37 | WGC 5290-233 | | | | |
| 0.300 | 7.62 | WGC 5300-233 | | | | |
| 0.325 | 8.26 | WGC 5325-233 | | | | |
| 0.350 | 8.89 | WGC 5350-233 | | | | |
| 0.375 | 9.53 | WGC 5375-233 | | | | |
| 0.400 | 10.16 | WGC 5400-233 | | | | |
| 0.425 | 10.80 | WGC 5425-233 | | | | |
| 0.500 | 12.70 | WGC 5500-233 | | | | |
| 0.525 | 13.34 | WGC 5525-233 | | | | |
| 0.550 | 13.97 | WGC 5550-233 | | | | |
| 0.575 | 14.61 | WGC 5575-233 | | | | |
| 0.600 | 15.24 | WGC 5600-233 | | | | |
| 0.625 | 15.88 | WGC 5625-233 | | | | |

"Safety pays the highest dividends.™"

WGC5xxx-236 METAL MUNCHER™ NON-FERROUS CUTTING

| L = 0.375" [9.53mm] T = 0.125" [3.18mm] TOP RELIEF 8° | | | | | | |
|---|-------------|--------------|----------------------------|------------------------------------|--------------------------------|--------------------------------------|
| W (Kerf ") | W (Kerf mm) | PART# | 25-99 pcs. 100 Plus 20% | 100-499 pcs. BASE PRICE +10% | 500-4999 pcs. BASE PRICE | 5000+ pcs. BASE PRICE less 10% |
| 0.095 | 2.41 | WGC 5095-236 | Please Call for Price | | | |
| 0.100 | 2.54 | WGC 5100-236 | | | | |
| 0.110 | 2.79 | WGC 5110-236 | | | | |
| 0.120 | 3.05 | WGC 5120-236 | | | | |
| 0.125 | 3.18 | WGC 5125-236 | | | | |
| 0.130 | 3.30 | WGC 5130-236 | | | | |
| 0.140 | 3.56 | WGC 5140-236 | | | | |
| 0.145 | 3.68 | WGC 5145-236 | | | | |
| 0.150 | 3.81 | WGC 5150-236 | | | | |
| 0.160 | 4.06 | WGC 5160-236 | | | | |
| 0.165 | 4.19 | WGC 5165-236 | | | | |
| 0.170 | 4.32 | WGC 5170-236 | | | | |
| 0.180 | 4.57 | WGC 5180-236 | | | | |
| 0.190 | 4.83 | WGC 5190-236 | | | | |
| 0.200 | 5.08 | WGC 5200-236 | | | | |
| 0.210 | 5.33 | WGC 5210-236 | | | | |
| 0.220 | 5.59 | WGC 5220-236 | | | | |
| 0.230 | 5.84 | WGC 5230-236 | | | | |
| 0.240 | 6.10 | WGC 5240-236 | | | | |
| 0.250 | 6.35 | WGC 5250-236 | | | | |
| 0.260 | 6.60 | WGC 5260-236 | | | | |
| 0.270 | 6.86 | WGC 5270-236 | | | | |
| 0.280 | 7.11 | WGC 5280-236 | | | | |
| 0.290 | 7.37 | WGC 5290-236 | | | | |
| 0.300 | 7.62 | WGC 5300-236 | | | | |
| 0.325 | 8.26 | WGC 5325-236 | | | | |
| 0.350 | 8.89 | WGC 5350-236 | | | | |
| 0.375 | 9.53 | WGC 5375-236 | | | | |
| 0.400 | 10.16 | WGC 5400-236 | | | | |
| 0.425 | 10.80 | WGC 5425-236 | | | | |
| 0.500 | 12.70 | WGC 5500-236 | | | | |
| 0.525 | 13.34 | WGC 5525-236 | | | | |
| 0.550 | 13.97 | WGC 5550-236 | | | | |
| 0.575 | 14.61 | WGC 5575-236 | | | | |
| 0.600 | 15.24 | WGC 5600-236 | | | | |
| 0.625 | 15.88 | WGC 5625-236 | | | | |

"Safety pays the highest dividends.™"

WGC5xxx-239 METAL MUNCHER™ FERROUS CUTTING

| L = 0.375" [9.53mm] T = 0.125" [3.18mm] TOP RELIEF 8° | | | | | | |
|---|-------------|--------------|----------------------------|------------------------------------|--------------------------------|--------------------------------------|
| W (Kerf ") | W (Kerf mm) | PART# | 25-99 pcs. 100 Plus 20% | 100-499 pcs. BASE PRICE +10% | 500-4999 pcs. BASE PRICE | 5000+ pcs. BASE PRICE less 10% |
| 0.095 | 2.41 | WGC 5095-239 | Please Call for Price | | | |
| 0.100 | 2.54 | WGC 5100-239 | | | | |
| 0.110 | 2.79 | WGC 5110-239 | | | | |
| 0.120 | 3.05 | WGC 5120-239 | | | | |
| 0.125 | 3.18 | WGC 5125-239 | | | | |
| 0.130 | 3.30 | WGC 5130-239 | | | | |
| 0.140 | 3.56 | WGC 5140-239 | | | | |
| 0.145 | 3.68 | WGC 5145-239 | | | | |
| 0.150 | 3.81 | WGC 5150-239 | | | | |
| 0.160 | 4.06 | WGC 5160-239 | | | | |
| 0.165 | 4.19 | WGC 5165-239 | | | | |
| 0.170 | 4.32 | WGC 5170-239 | | | | |
| 0.180 | 4.57 | WGC 5180-239 | | | | |
| 0.190 | 4.83 | WGC 5190-239 | | | | |
| 0.200 | 5.08 | WGC 5200-239 | | | | |
| 0.210 | 5.33 | WGC 5210-239 | | | | |
| 0.220 | 5.59 | WGC 5220-239 | | | | |
| 0.230 | 5.84 | WGC 5230-239 | | | | |
| 0.240 | 6.10 | WGC 5240-239 | | | | |
| 0.250 | 6.35 | WGC 5250-239 | | | | |
| 0.260 | 6.60 | WGC 5260-239 | | | | |
| 0.270 | 6.86 | WGC 5270-239 | | | | |
| 0.280 | 7.11 | WGC 5280-239 | | | | |
| 0.290 | 7.37 | WGC 5290-239 | | | | |
| 0.300 | 7.62 | WGC 5300-239 | | | | |
| 0.325 | 8.26 | WGC 5325-239 | | | | |
| 0.350 | 8.89 | WGC 5350-239 | | | | |
| 0.375 | 9.53 | WGC 5375-239 | | | | |
| 0.400 | 10.16 | WGC 5400-239 | | | | |
| 0.425 | 10.80 | WGC 5425-239 | | | | |
| 0.500 | 12.70 | WGC 5500-239 | | | | |
| 0.525 | 13.34 | WGC 5525-239 | | | | |
| 0.550 | 13.97 | WGC 5550-239 | | | | |
| 0.575 | 14.61 | WGC 5575-239 | | | | |
| 0.600 | 15.24 | WGC 5600-239 | | | | |
| 0.625 | 15.88 | WGC 5625-239 | | | | |

"Safety pays the highest dividends.™"

5000 Main Street • P.O. Box 216
Drakes Branch, VA 23937-0216 USA

FAX 434-568-3421

Phone 434-568-3311
Toll Free 800-424-3311

WGC5xxx-248 XL KNOT MASTER™ EXTENDED LIFE CARBIDE

| L = 0.375" [9.53mm] T = 0.125" [3.18mm] TOP RELIEF 8° | | | | | | |
|---|-------------|-----------------|----------------------------|------------------------------------|--------------------------------|--------------------------------------|
| W (Kerf ") | W (Kerf mm) | PART# | 25-99 pcs. 100 Plus 20% | 100-499 pcs. BASE PRICE +10% | 500-4999 pcs. BASE PRICE | 5000+ pcs. BASE PRICE less 10% |
| 0.095 | 2.41 | WGC 5095-248 XL | Please Call for Price | | | |
| 0.100 | 2.54 | WGC 5100-248 XL | | | | |
| 0.110 | 2.79 | WGC 5110-248 XL | | | | |
| 0.120 | 3.05 | WGC 5120-248 XL | | | | |
| 0.125 | 3.18 | WGC 5125-248 XL | | | | |
| 0.130 | 3.30 | WGC 5130-248 XL | | | | |
| 0.140 | 3.56 | WGC 5140-248 XL | | | | |
| 0.145 | 3.68 | WGC 5145-248 XL | | | | |
| 0.150 | 3.81 | WGC 5150-248 XL | | | | |
| 0.160 | 4.06 | WGC 5160-248 XL | | | | |
| 0.165 | 4.19 | WGC 5165-248 XL | | | | |
| 0.170 | 4.32 | WGC 5170-248 XL | | | | |
| 0.180 | 4.57 | WGC 5180-248 XL | | | | |
| 0.190 | 4.83 | WGC 5190-248 XL | | | | |
| 0.200 | 5.08 | WGC 5200-248 XL | | | | |
| 0.210 | 5.33 | WGC 5210-248 XL | | | | |
| 0.220 | 5.59 | WGC 5220-248 XL | | | | |
| 0.230 | 5.84 | WGC 5230-248 XL | | | | |
| 0.240 | 6.10 | WGC 5240-248 XL | | | | |
| 0.250 | 6.35 | WGC 5250-248 XL | | | | |
| 0.260 | 6.60 | WGC 5260-248 XL | | | | |
| 0.270 | 6.86 | WGC 5270-248 XL | | | | |
| 0.280 | 7.11 | WGC 5280-248 XL | | | | |
| 0.290 | 7.37 | WGC 5290-248 XL | | | | |
| 0.300 | 7.62 | WGC 5300-248 XL | | | | |
| 0.325 | 8.26 | WGC 5325-248 XL | | | | |
| 0.350 | 8.89 | WGC 5350-248 XL | | | | |
| 0.375 | 9.53 | WGC 5375-248 XL | | | | |
| 0.400 | 10.16 | WGC 5400-248 XL | | | | |
| 0.425 | 10.80 | WGC 5425-248 XL | | | | |
| 0.500 | 12.70 | WGC 5500-248 XL | | | | |
| 0.525 | 13.34 | WGC 5525-248 XL | | | | |
| 0.550 | 13.97 | WGC 5550-248 XL | | | | |
| 0.575 | 14.61 | WGC 5575-248 XL | | | | |
| 0.600 | 15.24 | WGC 5600-248 XL | | | | |
| 0.625 | 15.88 | WGC 5625-248 XL | | | | |

"Safety pays the highest dividends.™"

WGC5xxx-249 KNOT MASTER™ CARBIDE SAW TIPS

| L = 0.375" [9.53mm] T = 0.125" [3.18mm] TOP RELIEF 8° | | | | | | |
|---|-------------|--------------|----------------------------|------------------------------------|--------------------------------|--------------------------------------|
| W (Kerf ") | W (Kerf mm) | PART# | 25-99 pcs. 100 Plus 20% | 100-499 pcs. BASE PRICE +10% | 500-4999 pcs. BASE PRICE | 5000+ pcs. BASE PRICE less 10% |
| 0.095 | 2.41 | WGC 5095-249 | Please Call for Price | | | |
| 0.100 | 2.54 | WGC 5100-249 | | | | |
| 0.110 | 2.79 | WGC 5110-249 | | | | |
| 0.120 | 3.05 | WGC 5120-249 | | | | |
| 0.125 | 3.18 | WGC 5125-249 | | | | |
| 0.130 | 3.30 | WGC 5130-249 | | | | |
| 0.140 | 3.56 | WGC 5140-249 | | | | |
| 0.145 | 3.68 | WGC 5145-249 | | | | |
| 0.150 | 3.81 | WGC 5150-249 | | | | |
| 0.160 | 4.06 | WGC 5160-249 | | | | |
| 0.165 | 4.19 | WGC 5165-249 | | | | |
| 0.170 | 4.32 | WGC 5170-249 | | | | |
| 0.180 | 4.57 | WGC 5180-249 | | | | |
| 0.190 | 4.83 | WGC 5190-249 | | | | |
| 0.200 | 5.08 | WGC 5200-249 | | | | |
| 0.210 | 5.33 | WGC 5210-249 | | | | |
| 0.220 | 5.59 | WGC 5220-249 | | | | |
| 0.230 | 5.84 | WGC 5230-249 | | | | |
| 0.240 | 6.10 | WGC 5240-249 | | | | |
| 0.250 | 6.35 | WGC 5250-249 | | | | |
| 0.260 | 6.60 | WGC 5260-249 | | | | |
| 0.270 | 6.86 | WGC 5270-249 | | | | |
| 0.280 | 7.11 | WGC 5280-249 | | | | |
| 0.290 | 7.37 | WGC 5290-249 | | | | |
| 0.300 | 7.62 | WGC 5300-249 | | | | |
| 0.325 | 8.26 | WGC 5325-249 | | | | |
| 0.350 | 8.89 | WGC 5350-249 | | | | |
| 0.375 | 9.53 | WGC 5375-249 | | | | |
| 0.400 | 10.16 | WGC 5400-249 | | | | |
| 0.425 | 10.80 | WGC 5425-249 | | | | |
| 0.500 | 12.70 | WGC 5500-249 | | | | |
| 0.525 | 13.34 | WGC 5525-249 | | | | |
| 0.550 | 13.97 | WGC 5550-249 | | | | |
| 0.575 | 14.61 | WGC 5575-249 | | | | |
| 0.600 | 15.24 | WGC 5600-249 | | | | |
| 0.625 | 15.88 | WGC 5625-249 | | | | |

"Safety pays the highest dividends.™"

WH7xxx-233 NI-MATRIX II™ NAIL CUTTING CARBIDE

| L = 0.344" [8.74mm] T = 0.125" [3.18mm] TOP RELIEF 30° | | | | | | |
|--|-------------|-------------|----------------------------|------------------------------------|--------------------------------|--------------------------------------|
| W (Kerf ") | W (Kerf mm) | PART# | 25-99 pcs. 100 Plus 20% | 100-499 pcs. BASE PRICE +10% | 500-4999 pcs. BASE PRICE | 5000+ pcs. BASE PRICE less 10% |
| 0.095 | 2.41 | WH 7095-233 | Please Call for Price | | | |
| 0.100 | 2.54 | WH 7100-233 | | | | |
| 0.110 | 2.79 | WH 7110-233 | | | | |
| 0.120 | 3.05 | WH 7120-233 | | | | |
| 0.125 | 3.18 | WH 7125-233 | | | | |
| 0.130 | 3.30 | WH 7130-233 | | | | |
| 0.140 | 3.56 | WH 7140-233 | | | | |
| 0.145 | 3.68 | WH 7145-233 | | | | |
| 0.150 | 3.81 | WH 7150-233 | | | | |
| 0.160 | 4.06 | WH 7160-233 | | | | |
| 0.165 | 4.19 | WH 7165-233 | | | | |
| 0.170 | 4.32 | WH 7170-233 | | | | |
| 0.180 | 4.57 | WH 7180-233 | | | | |
| 0.190 | 4.83 | WH 7190-233 | | | | |
| 0.200 | 5.08 | WH 7200-233 | | | | |
| 0.210 | 5.33 | WH 7210-233 | | | | |
| 0.220 | 5.59 | WH 7220-233 | | | | |
| 0.230 | 5.84 | WH 7230-233 | | | | |
| 0.240 | 6.10 | WH 7240-233 | | | | |
| 0.250 | 6.35 | WH 7250-233 | | | | |
| 0.260 | 6.60 | WH 7260-233 | | | | |
| 0.270 | 6.86 | WH 7270-233 | | | | |
| 0.280 | 7.11 | WH 7280-233 | | | | |
| 0.290 | 7.37 | WH 7290-233 | | | | |
| 0.300 | 7.62 | WH 7300-233 | | | | |
| 0.325 | 8.26 | WH 7325-233 | | | | |
| 0.350 | 8.89 | WH 7350-233 | | | | |
| 0.375 | 9.53 | WH 7375-233 | | | | |
| 0.400 | 10.16 | WH 7400-233 | | | | |
| 0.425 | 10.80 | WH 7425-233 | | | | |
| 0.500 | 12.70 | WH 7500-233 | | | | |
| 0.525 | 13.34 | WH 7525-233 | | | | |
| 0.550 | 13.97 | WH 7550-233 | | | | |
| 0.575 | 14.61 | WH 7575-233 | | | | |
| 0.600 | 15.24 | WH 7600-233 | | | | |
| 0.625 | 15.88 | WH 7625-233 | | | | |

"Safety pays the highest dividends.™"

WH9xxx-233 NI-MATRIX II™ NAIL CUTTING CARBIDE

| L = 0.344" [8.74mm] T = 0.125" [3.18mm] TOP RELIEF 30° | | | | | | |
|--|-------------|-------------|----------------------------|------------------------------------|--------------------------------|--------------------------------------|
| W (Kerf ") | W (Kerf mm) | PART# | 25-99 pcs. 100 Plus 20% | 100-499 pcs. BASE PRICE +10% | 500-4999 pcs. BASE PRICE | 5000+ pcs. BASE PRICE less 10% |
| 0.095 | 2.41 | WH 9095-233 | Please Call for Price | | | |
| 0.100 | 2.54 | WH 9100-233 | | | | |
| 0.110 | 2.79 | WH 9110-233 | | | | |
| 0.120 | 3.05 | WH 9120-233 | | | | |
| 0.125 | 3.18 | WH 9125-233 | | | | |
| 0.130 | 3.30 | WH 9130-233 | | | | |
| 0.140 | 3.56 | WH 9140-233 | | | | |
| 0.145 | 3.68 | WH 9145-233 | | | | |
| 0.150 | 3.81 | WH 9150-233 | | | | |
| 0.160 | 4.06 | WH 9160-233 | | | | |
| 0.165 | 4.19 | WH 9165-233 | | | | |
| 0.170 | 4.32 | WH 9170-233 | | | | |
| 0.180 | 4.57 | WH 9180-233 | | | | |
| 0.190 | 4.83 | WH 9190-233 | | | | |
| 0.200 | 5.08 | WH 9200-233 | | | | |
| 0.210 | 5.33 | WH 9210-233 | | | | |
| 0.220 | 5.59 | WH 9220-233 | | | | |
| 0.230 | 5.84 | WH 9230-233 | | | | |
| 0.240 | 6.10 | WH 9240-233 | | | | |
| 0.250 | 6.35 | WH 9250-233 | | | | |
| 0.260 | 6.60 | WH 9260-233 | | | | |
| 0.270 | 6.86 | WH 9270-233 | | | | |
| 0.280 | 7.11 | WH 9280-233 | | | | |
| 0.290 | 7.37 | WH 9290-233 | | | | |
| 0.300 | 7.62 | WH 9300-233 | | | | |
| 0.325 | 8.26 | WH 9325-233 | | | | |
| 0.350 | 8.89 | WH 9350-233 | | | | |
| 0.375 | 9.53 | WH 9375-233 | | | | |
| 0.400 | 10.16 | WH 9400-233 | | | | |
| 0.425 | 10.80 | WH 9425-233 | | | | |
| 0.500 | 12.70 | WH 9500-233 | | | | |
| 0.525 | 13.34 | WH 9525-233 | | | | |
| 0.550 | 13.97 | WH 9550-233 | | | | |
| 0.575 | 14.61 | WH 9575-233 | | | | |
| 0.600 | 15.24 | WH 9600-233 | | | | |
| 0.625 | 15.88 | WH 9625-233 | | | | |

"Safety pays the highest dividends.™"

5000 Main Street • P.O. Box 216
Drakes Branch, VA 23937-0216 USA

FAX 434-568-3421

Phone 434-568-3311
Toll Free 800-424-3311

WH7xxx-236 METAL MUNCHER™ NON-FERROUS CUTTING

| L = 0.344" [8.74mm] T = 0.125" [3.18mm] TOP RELIEF 30° | | | | | | |
|--|-------------|-------------|----------------------------|------------------------------------|--------------------------------|--------------------------------------|
| W (Kerf ") | W (Kerf mm) | PART# | 25-99 pcs. 100 Plus 20% | 100-499 pcs. BASE PRICE +10% | 500-4999 pcs. BASE PRICE | 5000+ pcs. BASE PRICE less 10% |
| 0.095 | 2.41 | WH 7095-236 | Please Call for Price | | | |
| 0.100 | 2.54 | WH 7100-236 | | | | |
| 0.110 | 2.79 | WH 7110-236 | | | | |
| 0.120 | 3.05 | WH 7120-236 | | | | |
| 0.125 | 3.18 | WH 7125-236 | | | | |
| 0.130 | 3.30 | WH 7130-236 | | | | |
| 0.140 | 3.56 | WH 7140-236 | | | | |
| 0.145 | 3.68 | WH 7145-236 | | | | |
| 0.150 | 3.81 | WH 7150-236 | | | | |
| 0.160 | 4.06 | WH 7160-236 | | | | |
| 0.165 | 4.19 | WH 7165-236 | | | | |
| 0.170 | 4.32 | WH 7170-236 | | | | |
| 0.180 | 4.57 | WH 7180-236 | | | | |
| 0.190 | 4.83 | WH 7190-236 | | | | |
| 0.200 | 5.08 | WH 7200-236 | | | | |
| 0.210 | 5.33 | WH 7210-236 | | | | |
| 0.220 | 5.59 | WH 7220-236 | | | | |
| 0.230 | 5.84 | WH 7230-236 | | | | |
| 0.240 | 6.10 | WH 7240-236 | | | | |
| 0.250 | 6.35 | WH 7250-236 | | | | |
| 0.260 | 6.60 | WH 7260-236 | | | | |
| 0.270 | 6.86 | WH 7270-236 | | | | |
| 0.280 | 7.11 | WH 7280-236 | | | | |
| 0.290 | 7.37 | WH 7290-236 | | | | |
| 0.300 | 7.62 | WH 7300-236 | | | | |
| 0.325 | 8.26 | WH 7325-236 | | | | |
| 0.350 | 8.89 | WH 7350-236 | | | | |
| 0.375 | 9.53 | WH 7375-236 | | | | |
| 0.400 | 10.16 | WH 7400-236 | | | | |
| 0.425 | 10.80 | WH 7425-236 | | | | |
| 0.500 | 12.70 | WH 7500-236 | | | | |
| 0.525 | 13.34 | WH 7525-236 | | | | |
| 0.550 | 13.97 | WH 7550-236 | | | | |
| 0.575 | 14.61 | WH 7575-236 | | | | |
| 0.600 | 15.24 | WH 7600-236 | | | | |
| 0.625 | 15.88 | WH 7625-236 | | | | |

"Safety pays the highest dividends.™"

WH7xxx-239 METAL MUNCHER™ FERROUS CUTTING

| L = 0.344" [8.74mm] T = 0.125" [3.18mm] TOP RELIEF 30° | | | | | | |
|--|-------------|-------------|----------------------------|------------------------------------|--------------------------------|--------------------------------------|
| W (Kerf ") | W (Kerf mm) | PART# | 25-99 pcs. 100 Plus 20% | 100-499 pcs. BASE PRICE +10% | 500-4999 pcs. BASE PRICE | 5000+ pcs. BASE PRICE less 10% |
| 0.095 | 2.41 | WH 7095-239 | Please Call for Price | | | |
| 0.100 | 2.54 | WH 7100-239 | | | | |
| 0.110 | 2.79 | WH 7110-239 | | | | |
| 0.120 | 3.05 | WH 7120-239 | | | | |
| 0.125 | 3.18 | WH 7125-239 | | | | |
| 0.130 | 3.30 | WH 7130-239 | | | | |
| 0.140 | 3.56 | WH 7140-239 | | | | |
| 0.145 | 3.68 | WH 7145-239 | | | | |
| 0.150 | 3.81 | WH 7150-239 | | | | |
| 0.160 | 4.06 | WH 7160-239 | | | | |
| 0.165 | 4.19 | WH 7165-239 | | | | |
| 0.170 | 4.32 | WH 7170-239 | | | | |
| 0.180 | 4.57 | WH 7180-239 | | | | |
| 0.190 | 4.83 | WH 7190-239 | | | | |
| 0.200 | 5.08 | WH 7200-239 | | | | |
| 0.210 | 5.33 | WH 7210-239 | | | | |
| 0.220 | 5.59 | WH 7220-239 | | | | |
| 0.230 | 5.84 | WH 7230-239 | | | | |
| 0.240 | 6.10 | WH 7240-239 | | | | |
| 0.250 | 6.35 | WH 7250-239 | | | | |
| 0.260 | 6.60 | WH 7260-239 | | | | |
| 0.270 | 6.86 | WH 7270-239 | | | | |
| 0.280 | 7.11 | WH 7280-239 | | | | |
| 0.290 | 7.37 | WH 7290-239 | | | | |
| 0.300 | 7.62 | WH 7300-239 | | | | |
| 0.325 | 8.26 | WH 7325-239 | | | | |
| 0.350 | 8.89 | WH 7350-239 | | | | |
| 0.375 | 9.53 | WH 7375-239 | | | | |
| 0.400 | 10.16 | WH 7400-239 | | | | |
| 0.425 | 10.80 | WH 7425-239 | | | | |
| 0.500 | 12.70 | WH 7500-239 | | | | |
| 0.525 | 13.34 | WH 7525-239 | | | | |
| 0.550 | 13.97 | WH 7550-239 | | | | |
| 0.575 | 14.61 | WH 7575-239 | | | | |
| 0.600 | 15.24 | WH 7600-239 | | | | |
| 0.625 | 15.88 | WH 7625-239 | | | | |

"Safety pays the highest dividends.™"

WH7xxx-248 XL KNOT MASTER™ EXTENDED LIFE CARBIDE

| L = 0.344" [8.74mm] T = 0.125" [3.18mm] TOP RELIEF 30° | | | | | | |
|--|-------------|----------------|----------------------------|------------------------------------|--------------------------------|--------------------------------------|
| W (Kerf ") | W (Kerf mm) | PART# | 25-99 pcs. 100 Plus 20% | 100-499 pcs. BASE PRICE +10% | 500-4999 pcs. BASE PRICE | 5000+ pcs. BASE PRICE less 10% |
| 0.095 | 2.41 | WH 7095-248 XL | Please Call for Price | | | |
| 0.100 | 2.54 | WH 7100-248 XL | | | | |
| 0.110 | 2.79 | WH 7110-248 XL | | | | |
| 0.120 | 3.05 | WH 7120-248 XL | | | | |
| 0.125 | 3.18 | WH 7125-248 XL | | | | |
| 0.130 | 3.30 | WH 7130-248 XL | | | | |
| 0.140 | 3.56 | WH 7140-248 XL | | | | |
| 0.145 | 3.68 | WH 7145-248 XL | | | | |
| 0.150 | 3.81 | WH 7150-248 XL | | | | |
| 0.160 | 4.06 | WH 7160-248 XL | | | | |
| 0.165 | 4.19 | WH 7165-248 XL | | | | |
| 0.170 | 4.32 | WH 7170-248 XL | | | | |
| 0.180 | 4.57 | WH 7180-248 XL | | | | |
| 0.190 | 4.83 | WH 7190-248 XL | | | | |
| 0.200 | 5.08 | WH 7200-248 XL | | | | |
| 0.210 | 5.33 | WH 7210-248 XL | | | | |
| 0.220 | 5.59 | WH 7220-248 XL | | | | |
| 0.230 | 5.84 | WH 7230-248 XL | | | | |
| 0.240 | 6.10 | WH 7240-248 XL | | | | |
| 0.250 | 6.35 | WH 7250-248 XL | | | | |
| 0.260 | 6.60 | WH 7260-248 XL | | | | |
| 0.270 | 6.86 | WH 7270-248 XL | | | | |
| 0.280 | 7.11 | WH 7280-248 XL | | | | |
| 0.290 | 7.37 | WH 7290-248 XL | | | | |
| 0.300 | 7.62 | WH 7300-248 XL | | | | |
| 0.325 | 8.26 | WH 7325-248 XL | | | | |
| 0.350 | 8.89 | WH 7350-248 XL | | | | |
| 0.375 | 9.53 | WH 7375-248 XL | | | | |
| 0.400 | 10.16 | WH 7400-248 XL | | | | |
| 0.425 | 10.80 | WH 7425-248 XL | | | | |
| 0.500 | 12.70 | WH 7500-248 XL | | | | |
| 0.525 | 13.34 | WH 7525-248 XL | | | | |
| 0.550 | 13.97 | WH 7550-248 XL | | | | |
| 0.575 | 14.61 | WH 7575-248 XL | | | | |
| 0.600 | 15.24 | WH 7600-248 XL | | | | |
| 0.625 | 15.88 | WH 7625-248 XL | | | | |

"Safety pays the highest dividends.™"

WH7xxx-249 KNOT MASTER™ CARBIDE SAW TIPS

| L = 0.344" [8.74mm] T = 0.125" [3.18mm] TOP RELIEF 30° | | | | | | |
|--|-------------|-------------|----------------------------|------------------------------------|--------------------------------|--------------------------------------|
| W (Kerf ") | W (Kerf mm) | PART# | 25-99 pcs. 100 Plus 20% | 100-499 pcs. BASE PRICE +10% | 500-4999 pcs. BASE PRICE | 5000+ pcs. BASE PRICE less 10% |
| 0.095 | 2.41 | WH 7095-249 | Please Call for Price | | | |
| 0.100 | 2.54 | WH 7100-249 | | | | |
| 0.110 | 2.79 | WH 7110-249 | | | | |
| 0.120 | 3.05 | WH 7120-249 | | | | |
| 0.125 | 3.18 | WH 7125-249 | | | | |
| 0.130 | 3.30 | WH 7130-249 | | | | |
| 0.140 | 3.56 | WH 7140-249 | | | | |
| 0.145 | 3.68 | WH 7145-249 | | | | |
| 0.150 | 3.81 | WH 7150-249 | | | | |
| 0.160 | 4.06 | WH 7160-249 | | | | |
| 0.165 | 4.19 | WH 7165-249 | | | | |
| 0.170 | 4.32 | WH 7170-249 | | | | |
| 0.180 | 4.57 | WH 7180-249 | | | | |
| 0.190 | 4.83 | WH 7190-249 | | | | |
| 0.200 | 5.08 | WH 7200-249 | | | | |
| 0.210 | 5.33 | WH 7210-249 | | | | |
| 0.220 | 5.59 | WH 7220-249 | | | | |
| 0.230 | 5.84 | WH 7230-249 | | | | |
| 0.240 | 6.10 | WH 7240-249 | | | | |
| 0.250 | 6.35 | WH 7250-249 | | | | |
| 0.260 | 6.60 | WH 7260-249 | | | | |
| 0.270 | 6.86 | WH 7270-249 | | | | |
| 0.280 | 7.11 | WH 7280-249 | | | | |
| 0.290 | 7.37 | WH 7290-249 | | | | |
| 0.300 | 7.62 | WH 7300-249 | | | | |
| 0.325 | 8.26 | WH 7325-249 | | | | |
| 0.350 | 8.89 | WH 7350-249 | | | | |
| 0.375 | 9.53 | WH 7375-249 | | | | |
| 0.400 | 10.16 | WH 7400-249 | | | | |
| 0.425 | 10.80 | WH 7425-249 | | | | |
| 0.500 | 12.70 | WH 7500-249 | | | | |
| 0.525 | 13.34 | WH 7525-249 | | | | |
| 0.550 | 13.97 | WH 7550-249 | | | | |
| 0.575 | 14.61 | WH 7575-249 | | | | |
| 0.600 | 15.24 | WH 7600-249 | | | | |
| 0.625 | 15.88 | WH 7625-249 | | | | |

"Safety pays the highest dividends.™"

5000 Main Street • P.O. Box 216
Drakes Branch, VA 23937-0216 USA

FAX 434-568-3421

Phone 434-568-3311
Toll Free 800-424-3311

WP9xxx-233 NI-MATRIX II™ NAIL CUTTING CARBIDE

| L = 0.421" [10.7mm] T = 0.118" [3.0mm] TOP RELIEF 30° | | | | | | |
|---|-------------|-------------|----------------------------|-------------------------------------|--------------------------------|--------------------------------------|
| W (Kerf ") | W (Kerf mm) | PART# | 25-99 pcs. 100 Plus 20% | 100-499 pcs. BASE PRICE + 10% | 500-4999 pcs. BASE PRICE | 5000+ pcs. BASE PRICE less 10% |
| 0.095 | 2.41mm | WP 9095-233 | Please Call for Price | | | |
| 0.100 | 2.54 | WP 9100-233 | | | | |
| 0.110 | 2.79 | WP 9110-233 | | | | |
| 0.120 | 3.05 | WP 9120-233 | | | | |
| 0.125 | 3.18 | WP 9125-233 | | | | |
| 0.130 | 3.30 | WP 9130-233 | | | | |
| 0.140 | 3.56 | WP 9140-233 | | | | |
| 0.145 | 3.68 | WP 9145-233 | | | | |
| 0.150 | 3.81 | WP 9150-233 | | | | |
| 0.160 | 4.06 | WP 9160-233 | | | | |
| 0.165 | 4.19 | WP 9165-233 | | | | |
| 0.170 | 4.32 | WP 9170-233 | | | | |
| 0.180 | 4.57 | WP 9180-233 | | | | |
| 0.190 | 4.83 | WP 9190-233 | | | | |
| 0.200 | 5.08 | WP 9200-233 | | | | |
| 0.210 | 5.33 | WP 9210-233 | | | | |
| 0.220 | 5.59 | WP 9220-233 | | | | |
| 0.230 | 5.84 | WP 9230-233 | | | | |
| 0.240 | 6.10 | WP 9240-233 | | | | |
| 0.250 | 6.35 | WP 9250-233 | | | | |
| 0.260 | 6.60 | WP 9260-233 | | | | |
| 0.270 | 6.86 | WP 9270-233 | | | | |
| 0.280 | 7.11 | WP 9280-233 | | | | |
| 0.290 | 7.37 | WP 9290-233 | | | | |
| 0.300 | 7.62 | WP 9300-233 | | | | |
| 0.325 | 8.26 | WP 9325-233 | | | | |
| 0.350 | 8.89 | WP 9350-233 | | | | |
| 0.375 | 9.53 | WP 9375-233 | | | | |
| 0.400 | 10.16 | WP 9400-233 | | | | |
| 0.425 | 10.80 | WP 9425-233 | | | | |
| 0.500 | 12.70 | WP 9500-233 | | | | |
| 0.525 | 13.34 | WP 9525-233 | | | | |
| 0.550 | 13.97 | WP 9550-233 | | | | |
| 0.575 | 14.61 | WP 9575-233 | | | | |
| 0.600 | 15.24 | WP 9600-233 | | | | |
| 0.625 | 15.88 | WP 9625-233 | | | | |

"Safety pays the highest dividends.™"

WP9xxx-236 METAL MUNCHER™ NON-FERROUS CUTTING

| L = 0.421" [10.7mm] T = 0.118" [3.0mm] TOP RELIEF 30° | | | | | | |
|---|-------------|-------------|----------------------------|-------------------------------------|--------------------------------|--------------------------------------|
| W (Kerf ") | W (Kerf mm) | PART# | 25-99 pcs. 100 Plus 20% | 100-499 pcs. BASE PRICE + 10% | 500-4999 pcs. BASE PRICE | 5000+ pcs. BASE PRICE less 10% |
| 0.095 | 2.41mm | WP 9095-236 | Please Call for Price | | | |
| 0.100 | 2.54 | WP 9100-236 | | | | |
| 0.110 | 2.79 | WP 9110-236 | | | | |
| 0.120 | 3.05 | WP 9120-236 | | | | |
| 0.125 | 3.18 | WP 9125-236 | | | | |
| 0.130 | 3.30 | WP 9130-236 | | | | |
| 0.140 | 3.56 | WP 9140-236 | | | | |
| 0.145 | 3.68 | WP 9145-236 | | | | |
| 0.150 | 3.81 | WP 9150-236 | | | | |
| 0.160 | 4.06 | WP 9160-236 | | | | |
| 0.165 | 4.19 | WP 9165-236 | | | | |
| 0.170 | 4.32 | WP 9170-236 | | | | |
| 0.180 | 4.57 | WP 9180-236 | | | | |
| 0.190 | 4.83 | WP 9190-236 | | | | |
| 0.200 | 5.08 | WP 9200-236 | | | | |
| 0.210 | 5.33 | WP 9210-236 | | | | |
| 0.220 | 5.59 | WP 9220-236 | | | | |
| 0.230 | 5.84 | WP 9230-236 | | | | |
| 0.240 | 6.10 | WP 9240-236 | | | | |
| 0.250 | 6.35 | WP 9250-236 | | | | |
| 0.260 | 6.60 | WP 9260-236 | | | | |
| 0.270 | 6.86 | WP 9270-236 | | | | |
| 0.280 | 7.11 | WP 9280-236 | | | | |
| 0.290 | 7.37 | WP 9290-236 | | | | |
| 0.300 | 7.62 | WP 9300-236 | | | | |
| 0.325 | 8.26 | WP 9325-236 | | | | |
| 0.350 | 8.89 | WP 9350-236 | | | | |
| 0.375 | 9.53 | WP 9375-236 | | | | |
| 0.400 | 10.16 | WP 9400-236 | | | | |
| 0.425 | 10.80 | WP 9425-236 | | | | |
| 0.500 | 12.70 | WP 9500-236 | | | | |
| 0.525 | 13.34 | WP 9525-236 | | | | |
| 0.550 | 13.97 | WP 9550-236 | | | | |
| 0.575 | 14.61 | WP 9575-236 | | | | |
| 0.600 | 15.24 | WP 9600-236 | | | | |
| 0.625 | 15.88 | WP 9625-236 | | | | |

"Safety pays the highest dividends.™"

5000 Main Street • P.O. Box 216
Drakes Branch, VA 23937-0216 USA

FAX 434-568-3421

Phone 434-568-3311
Toll Free 800-424-3311

WP9xxx-239 METAL MUNCHER™ FERROUS CUTTING

| L = 0.421" [10.7mm] T = 0.118" [3.0mm] TOP RELIEF 30° | | | | | | |
|---|-------------|-------------|----------------------------|-------------------------------------|--------------------------------|--------------------------------------|
| W (Kerf ") | W (Kerf mm) | PART# | 25-99 pcs. 100 Plus 20% | 100-499 pcs. BASE PRICE + 10% | 500-4999 pcs. BASE PRICE | 5000+ pcs. BASE PRICE less 10% |
| 0.095 | 2.41mm | WP 9095-239 | Please Call for Price | | | |
| 0.100 | 2.54 | WP 9100-239 | | | | |
| 0.110 | 2.79 | WP 9110-239 | | | | |
| 0.120 | 3.05 | WP 9120-239 | | | | |
| 0.125 | 3.18 | WP 9125-239 | | | | |
| 0.130 | 3.30 | WP 9130-239 | | | | |
| 0.140 | 3.56 | WP 9140-239 | | | | |
| 0.145 | 3.68 | WP 9145-239 | | | | |
| 0.150 | 3.81 | WP 9150-239 | | | | |
| 0.160 | 4.06 | WP 9160-239 | | | | |
| 0.165 | 4.19 | WP 9165-239 | | | | |
| 0.170 | 4.32 | WP 9170-239 | | | | |
| 0.180 | 4.57 | WP 9180-239 | | | | |
| 0.190 | 4.83 | WP 9190-239 | | | | |
| 0.200 | 5.08 | WP 9200-239 | | | | |
| 0.210 | 5.33 | WP 9210-239 | | | | |
| 0.220 | 5.59 | WP 9220-239 | | | | |
| 0.230 | 5.84 | WP 9230-239 | | | | |
| 0.240 | 6.10 | WP 9240-239 | | | | |
| 0.250 | 6.35 | WP 9250-239 | | | | |
| 0.260 | 6.60 | WP 9260-239 | | | | |
| 0.270 | 6.86 | WP 9270-239 | | | | |
| 0.280 | 7.11 | WP 9280-239 | | | | |
| 0.290 | 7.37 | WP 9290-239 | | | | |
| 0.300 | 7.62 | WP 9300-239 | | | | |
| 0.325 | 8.26 | WP 9325-239 | | | | |
| 0.350 | 8.89 | WP 9350-239 | | | | |
| 0.375 | 9.53 | WP 9375-239 | | | | |
| 0.400 | 10.16 | WP 9400-239 | | | | |
| 0.425 | 10.80 | WP 9425-239 | | | | |
| 0.500 | 12.70 | WP 9500-239 | | | | |
| 0.525 | 13.34 | WP 9525-239 | | | | |
| 0.550 | 13.97 | WP 9550-239 | | | | |
| 0.575 | 14.61 | WP 9575-239 | | | | |
| 0.600 | 15.24 | WP 9600-239 | | | | |
| 0.625 | 15.88 | WP 9625-239 | | | | |

"Safety pays the highest dividends.™"

WP9xxx-248 XL KNOT MASTER™ EXTENDED LIFE CARBIDE

| L = 0.421" [10.7mm] T = 0.118" [3.0mm] TOP RELIEF 30° | | | | | | |
|---|-------------|----------------|----------------------------|-------------------------------------|--------------------------------|--------------------------------------|
| W (Kerf ") | W (Kerf mm) | PART# | 25-99 pcs. 100 Plus 20% | 100-499 pcs. BASE PRICE + 10% | 500-4999 pcs. BASE PRICE | 5000+ pcs. BASE PRICE less 10% |
| 0.095 | 2.41mm | WP 9095-248-XL | Please Call for Price | | | |
| 0.100 | 2.54 | WP 9100-248-XL | | | | |
| 0.110 | 2.79 | WP 9110-248-XL | | | | |
| 0.120 | 3.05 | WP 9120-248-XL | | | | |
| 0.125 | 3.18 | WP 9125-248-XL | | | | |
| 0.130 | 3.30 | WP 9130-248-XL | | | | |
| 0.140 | 3.56 | WP 9140-248-XL | | | | |
| 0.145 | 3.68 | WP 9145-248-XL | | | | |
| 0.150 | 3.81 | WP 9150-248-XL | | | | |
| 0.160 | 4.06 | WP 9160-248-XL | | | | |
| 0.165 | 4.19 | WP 9165-248-XL | | | | |
| 0.170 | 4.32 | WP 9170-248-XL | | | | |
| 0.180 | 4.57 | WP 9180-248-XL | | | | |
| 0.190 | 4.83 | WP 9190-248-XL | | | | |
| 0.200 | 5.08 | WP 9200-248-XL | | | | |
| 0.210 | 5.33 | WP 9210-248-XL | | | | |
| 0.220 | 5.59 | WP 9220-248-XL | | | | |
| 0.230 | 5.84 | WP 9230-248-XL | | | | |
| 0.240 | 6.10 | WP 9240-248-XL | | | | |
| 0.250 | 6.35 | WP 9250-248-XL | | | | |
| 0.260 | 6.60 | WP 9260-248-XL | | | | |
| 0.270 | 6.86 | WP 9270-248-XL | | | | |
| 0.280 | 7.11 | WP 9280-248-XL | | | | |
| 0.290 | 7.37 | WP 9290-248-XL | | | | |
| 0.300 | 7.62 | WP 9300-248-XL | | | | |
| 0.325 | 8.26 | WP 9325-248-XL | | | | |
| 0.350 | 8.89 | WP 9350-248-XL | | | | |
| 0.375 | 9.53 | WP 9375-248-XL | | | | |
| 0.400 | 10.16 | WP 9400-248-XL | | | | |
| 0.425 | 10.80 | WP 9425-248-XL | | | | |
| 0.500 | 12.70 | WP 9500-248-XL | | | | |
| 0.525 | 13.34 | WP 9525-248-XL | | | | |
| 0.550 | 13.97 | WP 9550-248-XL | | | | |
| 0.575 | 14.61 | WP 9575-248-XL | | | | |
| 0.600 | 15.24 | WP 9600-248-XL | | | | |
| 0.625 | 15.88 | WP 9625-248-XL | | | | |

"Safety pays the highest dividends.™"

WP9xxx-249 KNOT MASTER™ CARBIDE SAW TIPS

| L = 0.421" [10.7mm] T = 0.118" [3.0mm] TOP RELIEF 30° | | | | | | |
|---|-------------|-------------|----------------------------|-------------------------------------|--------------------------------|--------------------------------------|
| W (Kerf ") | W (Kerf mm) | PART# | 25-99 pcs. 100 Plus 20% | 100-499 pcs. BASE PRICE + 10% | 500-4999 pcs. BASE PRICE | 5000+ pcs. BASE PRICE less 10% |
| 0.095 | 2.41mm | WP 9095-249 | Please Call for Price | | | |
| 0.100 | 2.54 | WP 9100-249 | | | | |
| 0.110 | 2.79 | WP 9110-249 | | | | |
| 0.120 | 3.05 | WP 9120-249 | | | | |
| 0.125 | 3.18 | WP 9125-249 | | | | |
| 0.130 | 3.30 | WP 9130-249 | | | | |
| 0.140 | 3.56 | WP 9140-249 | | | | |
| 0.145 | 3.68 | WP 9145-249 | | | | |
| 0.150 | 3.81 | WP 9150-249 | | | | |
| 0.160 | 4.06 | WP 9160-249 | | | | |
| 0.165 | 4.19 | WP 9165-249 | | | | |
| 0.170 | 4.32 | WP 9170-249 | | | | |
| 0.180 | 4.57 | WP 9180-249 | | | | |
| 0.190 | 4.83 | WP 9190-249 | | | | |
| 0.200 | 5.08 | WP 9200-249 | | | | |
| 0.210 | 5.33 | WP 9210-249 | | | | |
| 0.220 | 5.59 | WP 9220-249 | | | | |
| 0.230 | 5.84 | WP 9230-249 | | | | |
| 0.240 | 6.10 | WP 9240-249 | | | | |
| 0.250 | 6.35 | WP 9250-249 | | | | |
| 0.260 | 6.60 | WP 9260-249 | | | | |
| 0.270 | 6.86 | WP 9270-249 | | | | |
| 0.280 | 7.11 | WP 9280-249 | | | | |
| 0.290 | 7.37 | WP 9290-249 | | | | |
| 0.300 | 7.62 | WP 9300-249 | | | | |
| 0.325 | 8.26 | WP 9325-249 | | | | |
| 0.350 | 8.89 | WP 9350-249 | | | | |
| 0.375 | 9.53 | WP 9375-249 | | | | |
| 0.400 | 10.16 | WP 9400-249 | | | | |
| 0.425 | 10.80 | WP 9425-249 | | | | |
| 0.500 | 12.70 | WP 9500-249 | | | | |
| 0.525 | 13.34 | WP 9525-249 | | | | |
| 0.550 | 13.97 | WP 9550-249 | | | | |
| 0.575 | 14.61 | WP 9575-249 | | | | |
| 0.600 | 15.24 | WP 9600-249 | | | | |
| 0.625 | 15.88 | WP 9625-249 | | | | |

"Safety pays the highest dividends.™"

5000 Main Street • P.O. Box 216
Drakes Branch, VA 23937-0216 USA

FAX 434-568-3421

Phone 434-568-3311
Toll Free 800-424-3311

WQ7xxx-233 NI-MATRIX II™ NAIL CUTTING CARBIDE

| L = 0.375" [9.53mm] T = 0.156" [3.96mm] TOP RELIEF 30° | | | | | | |
|--|-------------|-------------|----------------------------|-------------------------------------|--------------------------------|--------------------------------------|
| W (Kerf ") | W (Kerf mm) | PART# | 25-99 pcs. 100 Plus 20% | 100-499 pcs. BASE PRICE + 10% | 500-4999 pcs. BASE PRICE | 5000+ pcs. BASE PRICE less 10% |
| 0.095 | 2.41mm | WQ 7095-233 | Please Call for Price | | | |
| 0.100 | 2.54 | WQ 7100-233 | | | | |
| 0.110 | 2.79 | WQ 7110-233 | | | | |
| 0.120 | 3.05 | WQ 7120-233 | | | | |
| 0.125 | 3.18 | WQ 7125-233 | | | | |
| 0.130 | 3.30 | WQ 7130-233 | | | | |
| 0.140 | 3.56 | WQ 7140-233 | | | | |
| 0.145 | 3.68 | WQ 7145-233 | | | | |
| 0.150 | 3.81 | WQ 7150-233 | | | | |
| 0.160 | 4.06 | WQ 7160-233 | | | | |
| 0.165 | 4.19 | WQ 7165-233 | | | | |
| 0.170 | 4.32 | WQ 7170-233 | | | | |
| 0.180 | 4.57 | WQ 7180-233 | | | | |
| 0.190 | 4.83 | WQ 7190-233 | | | | |
| 0.200 | 5.08 | WQ 7200-233 | | | | |
| 0.210 | 5.33 | WQ 7210-233 | | | | |
| 0.220 | 5.59 | WQ 7220-233 | | | | |
| 0.230 | 5.84 | WQ 7230-233 | | | | |
| 0.240 | 6.10 | WQ 7240-233 | | | | |
| 0.250 | 6.35 | WQ 7250-233 | | | | |
| 0.260 | 6.60 | WQ 7260-233 | | | | |
| 0.270 | 6.86 | WQ 7270-233 | | | | |
| 0.280 | 7.11 | WQ 7280-233 | | | | |
| 0.290 | 7.37 | WQ 7290-233 | | | | |
| 0.300 | 7.62 | WQ 7300-233 | | | | |
| 0.325 | 8.26 | WQ 7325-233 | | | | |
| 0.350 | 8.89 | WQ 7350-233 | | | | |
| 0.375 | 9.53 | WQ 7375-233 | | | | |
| 0.400 | 10.16 | WQ 7400-233 | | | | |
| 0.425 | 10.80 | WQ 7425-233 | | | | |
| 0.500 | 12.70 | WQ 7500-233 | | | | |
| 0.525 | 13.34 | WQ 7525-233 | | | | |
| 0.550 | 13.97 | WQ 7550-233 | | | | |
| 0.575 | 14.61 | WQ 7575-233 | | | | |
| 0.600 | 15.24 | WQ 7600-233 | | | | |
| 0.625 | 15.88 | WQ 7625-233 | | | | |

"Safety pays the highest dividends.™"

WQ9xxx-233 NI-MATRIX II™ NAIL CUTTING CARBIDE

| L = 0.375" [9.53mm] T = 0.156" [3.96mm] TOP RELIEF 30° | | | | | | |
|--|-------------|-------------|----------------------------|-------------------------------------|--------------------------------|--------------------------------------|
| W (Kerf ") | W (Kerf mm) | PART# | 25-99 pcs. 100 Plus 20% | 100-499 pcs. BASE PRICE + 10% | 500-4999 pcs. BASE PRICE | 5000+ pcs. BASE PRICE less 10% |
| 0.095 | 2.41mm | WQ 9095-233 | Please Call for Price | | | |
| 0.100 | 2.54 | WQ 9100-233 | | | | |
| 0.110 | 2.79 | WQ 9110-233 | | | | |
| 0.120 | 3.05 | WQ 9120-233 | | | | |
| 0.125 | 3.18 | WQ 9125-233 | | | | |
| 0.130 | 3.30 | WQ 9130-233 | | | | |
| 0.140 | 3.56 | WQ 9140-233 | | | | |
| 0.145 | 3.68 | WQ 9145-233 | | | | |
| 0.150 | 3.81 | WQ 9150-233 | | | | |
| 0.160 | 4.06 | WQ 9160-233 | | | | |
| 0.165 | 4.19 | WQ 9165-233 | | | | |
| 0.170 | 4.32 | WQ 9170-233 | | | | |
| 0.180 | 4.57 | WQ 9180-233 | | | | |
| 0.190 | 4.83 | WQ 9190-233 | | | | |
| 0.200 | 5.08 | WQ 9200-233 | | | | |
| 0.210 | 5.33 | WQ 9210-233 | | | | |
| 0.220 | 5.59 | WQ 9220-233 | | | | |
| 0.230 | 5.84 | WQ 9230-233 | | | | |
| 0.240 | 6.10 | WQ 9240-233 | | | | |
| 0.250 | 6.35 | WQ 9250-233 | | | | |
| 0.260 | 6.60 | WQ 9260-233 | | | | |
| 0.270 | 6.86 | WQ 9270-233 | | | | |
| 0.280 | 7.11 | WQ 9280-233 | | | | |
| 0.290 | 7.37 | WQ 9290-233 | | | | |
| 0.300 | 7.62 | WQ 9300-233 | | | | |
| 0.325 | 8.26 | WQ 9325-233 | | | | |
| 0.350 | 8.89 | WQ 9350-233 | | | | |
| 0.375 | 9.53 | WQ 9375-233 | | | | |
| 0.400 | 10.16 | WQ 9400-233 | | | | |
| 0.425 | 10.80 | WQ 9425-233 | | | | |
| 0.500 | 12.70 | WQ 9500-233 | | | | |
| 0.525 | 13.34 | WQ 9525-233 | | | | |
| 0.550 | 13.97 | WQ 9550-233 | | | | |
| 0.575 | 14.61 | WQ 9575-233 | | | | |
| 0.600 | 15.24 | WQ 9600-233 | | | | |
| 0.625 | 15.88 | WQ 9625-233 | | | | |

"Safety pays the highest dividends.™"

WQ7xxx-236 METAL MUNCHER™ NON-FERROUS CUTTING

| L = 0.375" [9.53mm] T = 0.156" [3.96mm] TOP RELIEF 30° | | | | | | |
|--|-------------|-------------|----------------------------|-------------------------------------|--------------------------------|--------------------------------------|
| W (Kerf ") | W (Kerf mm) | PART# | 25-99 pcs. 100 Plus 20% | 100-499 pcs. BASE PRICE + 10% | 500-4999 pcs. BASE PRICE | 5000+ pcs. BASE PRICE less 10% |
| 0.095 | 2.41mm | WQ 7095-236 | Please Call for Price | | | |
| 0.100 | 2.54 | WQ 7100-236 | | | | |
| 0.110 | 2.79 | WQ 7110-236 | | | | |
| 0.120 | 3.05 | WQ 7120-236 | | | | |
| 0.125 | 3.18 | WQ 7125-236 | | | | |
| 0.130 | 3.30 | WQ 7130-236 | | | | |
| 0.140 | 3.56 | WQ 7140-236 | | | | |
| 0.145 | 3.68 | WQ 7145-236 | | | | |
| 0.150 | 3.81 | WQ 7150-236 | | | | |
| 0.160 | 4.06 | WQ 7160-236 | | | | |
| 0.165 | 4.19 | WQ 7165-236 | | | | |
| 0.170 | 4.32 | WQ 7170-236 | | | | |
| 0.180 | 4.57 | WQ 7180-236 | | | | |
| 0.190 | 4.83 | WQ 7190-236 | | | | |
| 0.200 | 5.08 | WQ 7200-236 | | | | |
| 0.210 | 5.33 | WQ 7210-236 | | | | |
| 0.220 | 5.59 | WQ 7220-236 | | | | |
| 0.230 | 5.84 | WQ 7230-236 | | | | |
| 0.240 | 6.10 | WQ 7240-236 | | | | |
| 0.250 | 6.35 | WQ 7250-236 | | | | |
| 0.260 | 6.60 | WQ 7260-236 | | | | |
| 0.270 | 6.86 | WQ 7270-236 | | | | |
| 0.280 | 7.11 | WQ 7280-236 | | | | |
| 0.290 | 7.37 | WQ 7290-236 | | | | |
| 0.300 | 7.62 | WQ 7300-236 | | | | |
| 0.325 | 8.26 | WQ 7325-236 | | | | |
| 0.350 | 8.89 | WQ 7350-236 | | | | |
| 0.375 | 9.53 | WQ 7375-236 | | | | |
| 0.400 | 10.16 | WQ 7400-236 | | | | |
| 0.425 | 10.80 | WQ 7425-236 | | | | |
| 0.500 | 12.70 | WQ 7500-236 | | | | |
| 0.525 | 13.34 | WQ 7525-236 | | | | |
| 0.550 | 13.97 | WQ 7550-236 | | | | |
| 0.575 | 14.61 | WQ 7575-236 | | | | |
| 0.600 | 15.24 | WQ 7600-236 | | | | |
| 0.625 | 15.88 | WQ 7625-236 | | | | |

"Safety pays the highest dividends.™"

5000 Main Street • P.O. Box 216
Drakes Branch, VA 23937-0216 USA

FAX 434-568-3421

Phone 434-568-3311
Toll Free 800-424-3311

WQ7xxx-239 METAL MUNCHER™ FERROUS CUTTING

| L = 0.375" [9.53mm] T = 0.156" [3.96mm] TOP RELIEF 30° | | | | | | |
|--|-------------|-------------|----------------------------|-------------------------------------|--------------------------------|--------------------------------------|
| W (Kerf ") | W (Kerf mm) | PART# | 25-99 pcs. 100 Plus 20% | 100-499 pcs. BASE PRICE + 10% | 500-4999 pcs. BASE PRICE | 5000+ pcs. BASE PRICE less 10% |
| 0.095 | 2.41mm | WQ 7095-239 | Please Call for Price | | | |
| 0.100 | 2.54 | WQ 7100-239 | | | | |
| 0.110 | 2.79 | WQ 7110-239 | | | | |
| 0.120 | 3.05 | WQ 7120-239 | | | | |
| 0.125 | 3.18 | WQ 7125-239 | | | | |
| 0.130 | 3.30 | WQ 7130-239 | | | | |
| 0.140 | 3.56 | WQ 7140-239 | | | | |
| 0.145 | 3.68 | WQ 7145-239 | | | | |
| 0.150 | 3.81 | WQ 7150-239 | | | | |
| 0.160 | 4.06 | WQ 7160-239 | | | | |
| 0.165 | 4.19 | WQ 7165-239 | | | | |
| 0.170 | 4.32 | WQ 7170-239 | | | | |
| 0.180 | 4.57 | WQ 7180-239 | | | | |
| 0.190 | 4.83 | WQ 7190-239 | | | | |
| 0.200 | 5.08 | WQ 7200-239 | | | | |
| 0.210 | 5.33 | WQ 7210-239 | | | | |
| 0.220 | 5.59 | WQ 7220-239 | | | | |
| 0.230 | 5.84 | WQ 7230-239 | | | | |
| 0.240 | 6.10 | WQ 7240-239 | | | | |
| 0.250 | 6.35 | WQ 7250-239 | | | | |
| 0.260 | 6.60 | WQ 7260-239 | | | | |
| 0.270 | 6.86 | WQ 7270-239 | | | | |
| 0.280 | 7.11 | WQ 7280-239 | | | | |
| 0.290 | 7.37 | WQ 7290-239 | | | | |
| 0.300 | 7.62 | WQ 7300-239 | | | | |
| 0.325 | 8.26 | WQ 7325-239 | | | | |
| 0.350 | 8.89 | WQ 7350-239 | | | | |
| 0.375 | 9.53 | WQ 7375-239 | | | | |
| 0.400 | 10.16 | WQ 7400-239 | | | | |
| 0.425 | 10.80 | WQ 7425-239 | | | | |
| 0.500 | 12.70 | WQ 7500-239 | | | | |
| 0.525 | 13.34 | WQ 7525-239 | | | | |
| 0.550 | 13.97 | WQ 7550-239 | | | | |
| 0.575 | 14.61 | WQ 7575-239 | | | | |
| 0.600 | 15.24 | WQ 7600-239 | | | | |
| 0.625 | 15.88 | WQ 7625-239 | | | | |

"Safety pays the highest dividends.™"

WQ7xxx-248 XL KNOT MASTER™ EXTENDED LIFE CARBIDE

| L = 0.375" [9.53mm] T = 0.156" [3.96mm] TOP RELIEF 30° | | | | | | |
|--|-------------|----------------|----------------------------|-------------------------------------|--------------------------------|--------------------------------------|
| W (Kerf ") | W (Kerf mm) | PART# | 25-99 pcs. 100 Plus 20% | 100-499 pcs. BASE PRICE + 10% | 500-4999 pcs. BASE PRICE | 5000+ pcs. BASE PRICE less 10% |
| 0.095 | 2.41mm | WQ 7095-248-XL | Please Call for Price | | | |
| 0.100 | 2.54 | WQ 7100-248-XL | | | | |
| 0.110 | 2.79 | WQ 7110-248-XL | | | | |
| 0.120 | 3.05 | WQ 7120-248-XL | | | | |
| 0.125 | 3.18 | WQ 7125-248-XL | | | | |
| 0.130 | 3.30 | WQ 7130-248-XL | | | | |
| 0.140 | 3.56 | WQ 7140-248-XL | | | | |
| 0.145 | 3.68 | WQ 7145-248-XL | | | | |
| 0.150 | 3.81 | WQ 7150-248-XL | | | | |
| 0.160 | 4.06 | WQ 7160-248-XL | | | | |
| 0.165 | 4.19 | WQ 7165-248-XL | | | | |
| 0.170 | 4.32 | WQ 7170-248-XL | | | | |
| 0.180 | 4.57 | WQ 7180-248-XL | | | | |
| 0.190 | 4.83 | WQ 7190-248-XL | | | | |
| 0.200 | 5.08 | WQ 7200-248-XL | | | | |
| 0.210 | 5.33 | WQ 7210-248-XL | | | | |
| 0.220 | 5.59 | WQ 7220-248-XL | | | | |
| 0.230 | 5.84 | WQ 7230-248-XL | | | | |
| 0.240 | 6.10 | WQ 7240-248-XL | | | | |
| 0.250 | 6.35 | WQ 7250-248-XL | | | | |
| 0.260 | 6.60 | WQ 7260-248-XL | | | | |
| 0.270 | 6.86 | WQ 7270-248-XL | | | | |
| 0.280 | 7.11 | WQ 7280-248-XL | | | | |
| 0.290 | 7.37 | WQ 7290-248-XL | | | | |
| 0.300 | 7.62 | WQ 7300-248-XL | | | | |
| 0.325 | 8.26 | WQ 7325-248-XL | | | | |
| 0.350 | 8.89 | WQ 7350-248-XL | | | | |
| 0.375 | 9.53 | WQ 7375-248-XL | | | | |
| 0.400 | 10.16 | WQ 7400-248-XL | | | | |
| 0.425 | 10.80 | WQ 7425-248-XL | | | | |
| 0.500 | 12.70 | WQ 7500-248-XL | | | | |
| 0.525 | 13.34 | WQ 7525-248-XL | | | | |
| 0.550 | 13.97 | WQ 7550-248-XL | | | | |
| 0.575 | 14.61 | WQ 7575-248-XL | | | | |
| 0.600 | 15.24 | WQ 7600-248-XL | | | | |
| 0.625 | 15.88 | WQ 7625-248-XL | | | | |

"Safety pays the highest dividends.™"

WQ7xxx-249 KNOT MASTER™ CARBIDE SAW TIPS

| L = 0.375" [9.53mm] T = 0.156" [3.96mm] TOP RELIEF 30° | | | | | | |
|--|-------------|-------------|----------------------------|-------------------------------------|--------------------------------|--------------------------------------|
| W (Kerf ") | W (Kerf mm) | PART# | 25-99 pcs. 100 Plus 20% | 100-499 pcs. BASE PRICE + 10% | 500-4999 pcs. BASE PRICE | 5000+ pcs. BASE PRICE less 10% |
| 0.095 | 2.41mm | WQ 7095-249 | Please Call for Price | | | |
| 0.100 | 2.54 | WQ 7100-249 | | | | |
| 0.110 | 2.79 | WQ 7110-249 | | | | |
| 0.120 | 3.05 | WQ 7120-249 | | | | |
| 0.125 | 3.18 | WQ 7125-249 | | | | |
| 0.130 | 3.30 | WQ 7130-249 | | | | |
| 0.140 | 3.56 | WQ 7140-249 | | | | |
| 0.145 | 3.68 | WQ 7145-249 | | | | |
| 0.150 | 3.81 | WQ 7150-249 | | | | |
| 0.160 | 4.06 | WQ 7160-249 | | | | |
| 0.165 | 4.19 | WQ 7165-249 | | | | |
| 0.170 | 4.32 | WQ 7170-249 | | | | |
| 0.180 | 4.57 | WQ 7180-249 | | | | |
| 0.190 | 4.83 | WQ 7190-249 | | | | |
| 0.200 | 5.08 | WQ 7200-249 | | | | |
| 0.210 | 5.33 | WQ 7210-249 | | | | |
| 0.220 | 5.59 | WQ 7220-249 | | | | |
| 0.230 | 5.84 | WQ 7230-249 | | | | |
| 0.240 | 6.10 | WQ 7240-249 | | | | |
| 0.250 | 6.35 | WQ 7250-249 | | | | |
| 0.260 | 6.60 | WQ 7260-249 | | | | |
| 0.270 | 6.86 | WQ 7270-249 | | | | |
| 0.280 | 7.11 | WQ 7280-249 | | | | |
| 0.290 | 7.37 | WQ 7290-249 | | | | |
| 0.300 | 7.62 | WQ 7300-249 | | | | |
| 0.325 | 8.26 | WQ 7325-249 | | | | |
| 0.350 | 8.89 | WQ 7350-249 | | | | |
| 0.375 | 9.53 | WQ 7375-249 | | | | |
| 0.400 | 10.16 | WQ 7400-249 | | | | |
| 0.425 | 10.80 | WQ 7425-249 | | | | |
| 0.500 | 12.70 | WQ 7500-249 | | | | |
| 0.525 | 13.34 | WQ 7525-249 | | | | |
| 0.550 | 13.97 | WQ 7550-249 | | | | |
| 0.575 | 14.61 | WQ 7575-249 | | | | |
| 0.600 | 15.24 | WQ 7600-249 | | | | |
| 0.625 | 15.88 | WQ 7625-249 | | | | |

"Safety pays the highest dividends.™"

5000 Main Street • P.O. Box 216
Drakes Branch, VA 23937-0216 USA

FAX 434-568-3421

Phone 434-568-3311
Toll Free 800-424-3311